

NOTES:

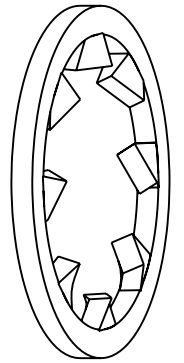
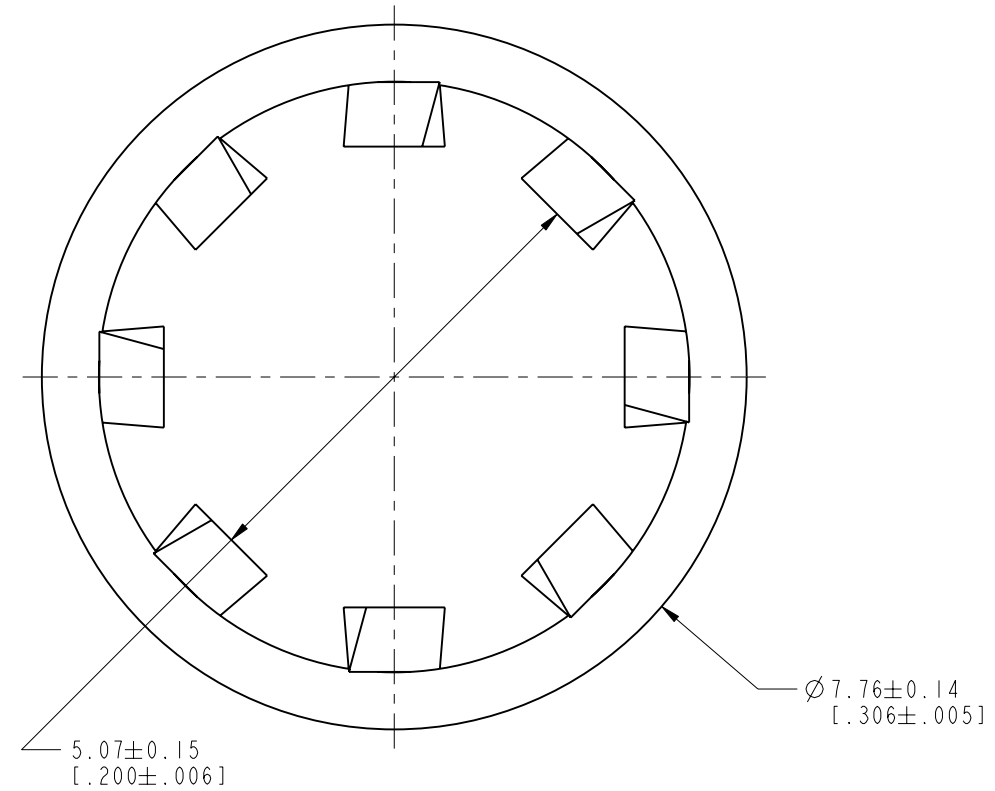
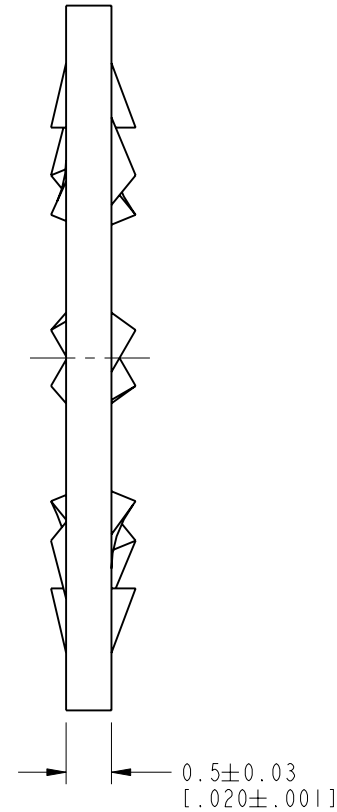
1. PLATING PER AMPHENOL SPEC. 349-50560.
2. PACKAGING:
 - A. BULK PACK, 100 PCS PER BAG
 - B. MARKING: BAG TO BE MARKED: "903-10409-X, QTY 100"

SEE TABLE FOR PART NUMBER "X"

THIRD ANGLE PROJ.

REVISIONS

REV	DESCRIPTION	DATE	ECO	APPR
A	RELEASE TO MFG.	3/11/92	38813	FSH
C	RELEASE AT ARFA AND SYNC THE DRAWING	16-Nov-16	02605	TD



SCALE 6.000

903-10409-2	NICKEL PLATING	PHOSPHOR BRONZE
903-10409-1	GOLD PLATING	PHOSPHOR BRONZE
PART NUMBER	FINISH	MATERIAL

CUSTOMER OUTLINE DRAWING

ALL OTHER SHEETS ARE FOR INTERNAL USE ONLY

<p>UNLESS OTHERWISE SPECIFIED, DIMENSIONS ARE IN METRIC AND TOLERANCES ARE:</p> <table border="0"> <tr> <td><0.5mm</td> <td>0.5 - 6mm</td> <td>6 - 30mm</td> <td>30 - 120mm</td> <td>ANGLES</td> </tr> <tr> <td>± 0.05mm</td> <td>±0.1mm</td> <td>±0.2mm</td> <td>± 0.3mm</td> <td>±1°</td> </tr> </table> <p>NOTICE - These drawings, specifications, or other data (1) are, and remain the property of Amphenol corp. (2) must be returned upon request; and (3) are confidential and not to be disclosed to any person other than those to whom they are given by Amphenol Corp. the furnishing of these drawings, specifications, or other data by Amphenol Corp., or to any other person to anyone for any purpose is not to be regarded by implication or otherwise in any manner licensing, granting rights to permitting such holder or any other person to manufacture, use or sell any product, process or design, patented or otherwise, that may in any way be related to or disclosed by said drawings, specifications, or other data.</p>	<0.5mm	0.5 - 6mm	6 - 30mm	30 - 120mm	ANGLES	± 0.05mm	±0.1mm	±0.2mm	± 0.3mm	±1°	<p>MATERIAL</p>	<p>DRAWN</p> <p>TANGOR</p>	<p>DATE</p> <p>16-Nov-16</p>	<p>TITLE</p> <p>LOCK WASHER</p>	<p>Amphenol RF</p> <p>www.amphenolrf.com</p>
	<0.5mm	0.5 - 6mm	6 - 30mm	30 - 120mm	ANGLES										
± 0.05mm	±0.1mm	±0.2mm	± 0.3mm	±1°											
<p>REFERENCE</p> <p>31-10505</p>	<p>ENGINEER</p> <p>F.S.HULL</p>	<p>DATE</p> <p>2-7-92</p>	<p>DRAWING NO. 903-10409-X</p>												
<p>CONFIGURATION LEVEL:</p>	<p>APPROVED</p> <p>RICKSON</p>	<p>DATE</p> <p>16-Nov-16</p>	<p>SCALE: 12.0:1.0 SHEET 2 OF 2</p>	<p>ITEM NO. 903-10409-X</p>											
<p>FINISH</p>	<p>CAD FILE</p>	<p>DWG SIZE</p> <p>B</p>	<p>REV</p> <p>C</p>	<p>PART NO. 903-10409-X</p>											