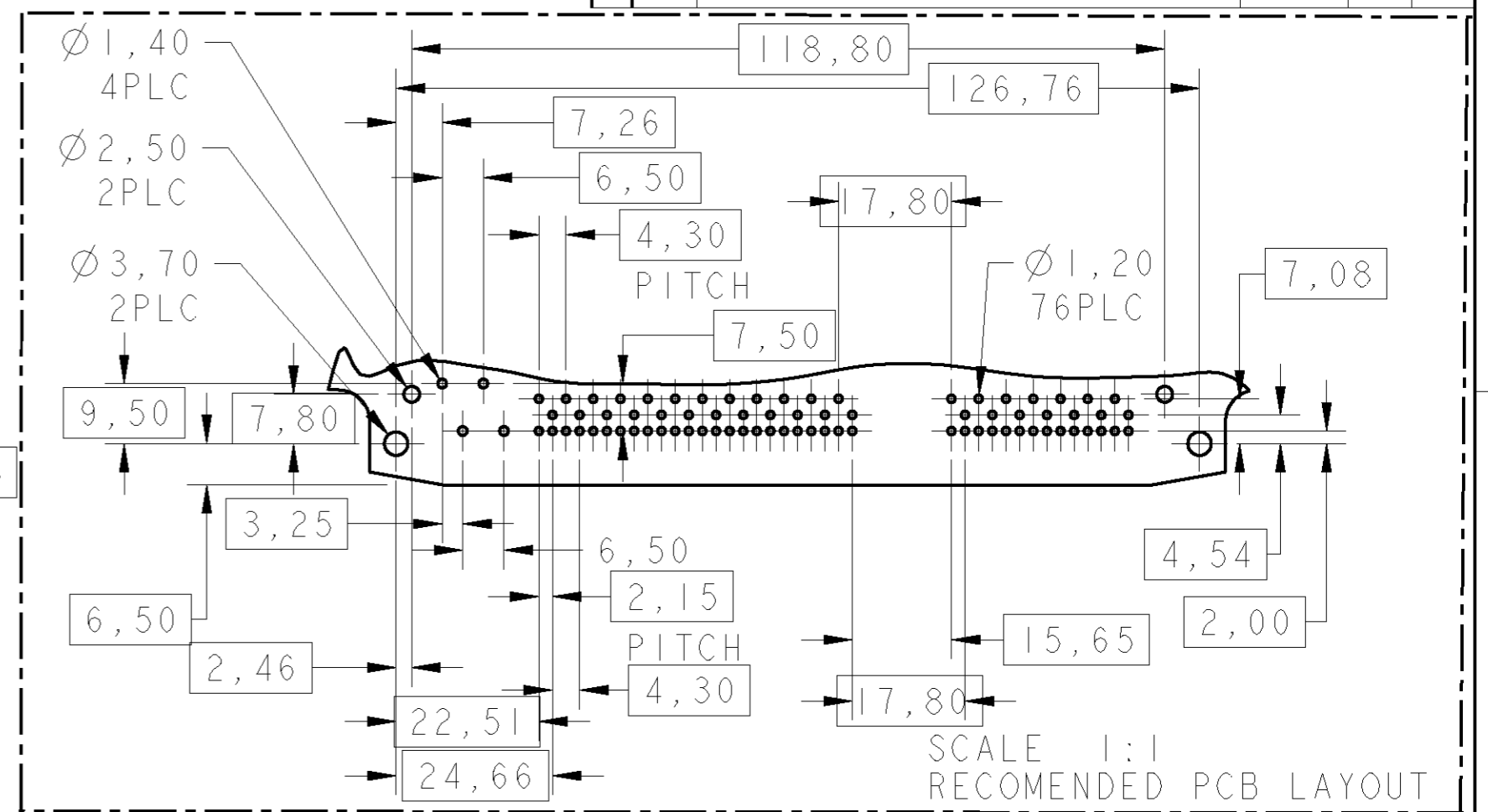
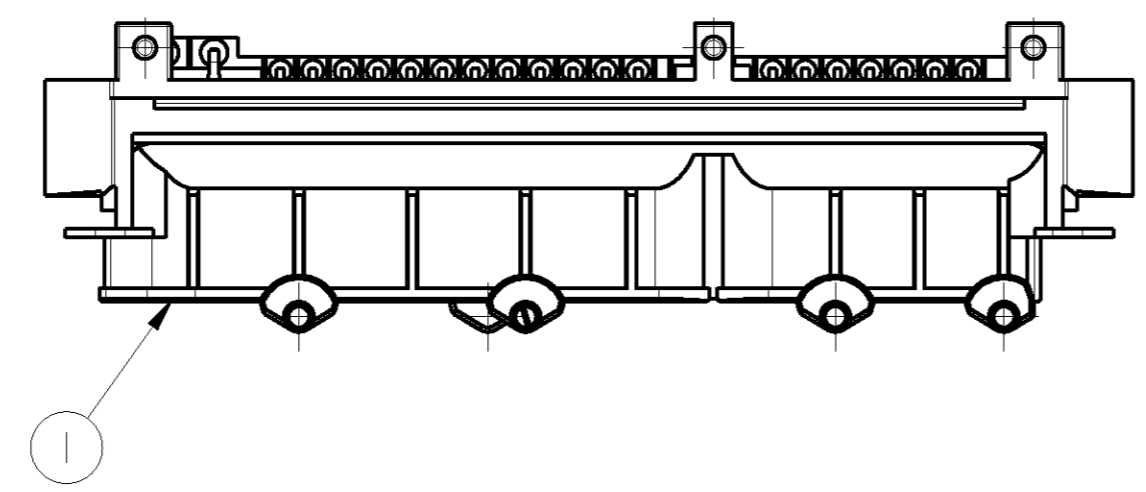
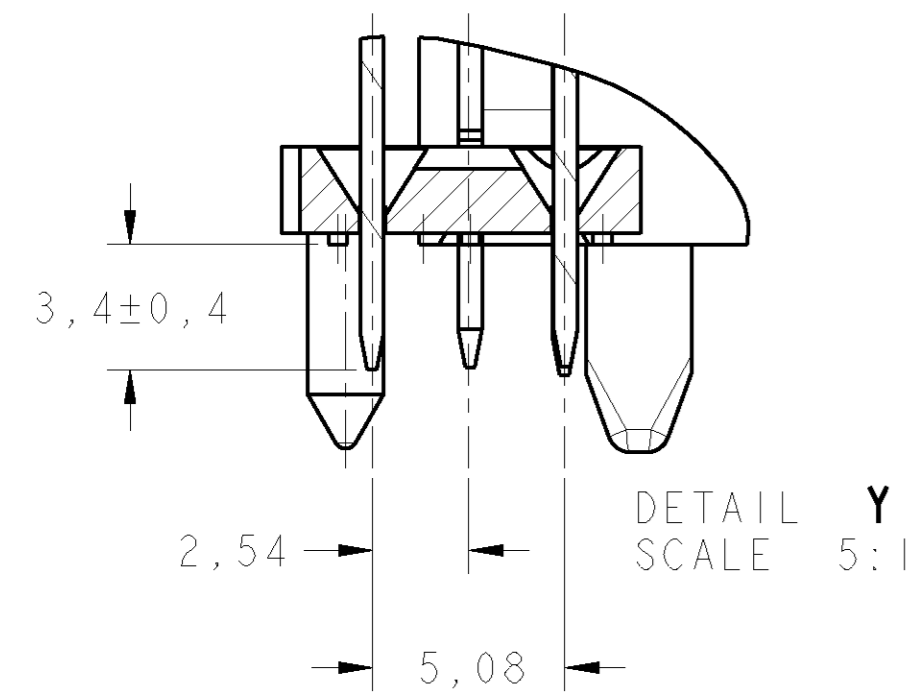
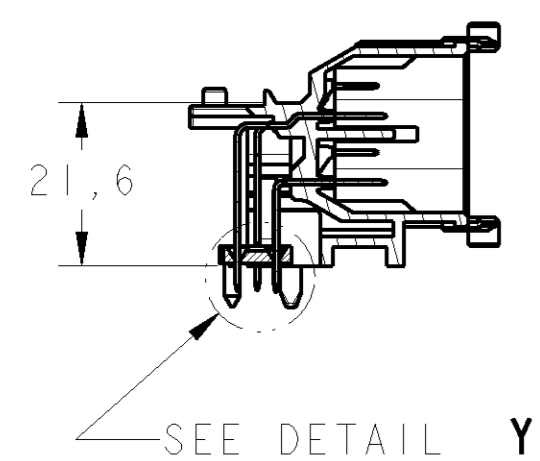


THIS DRAWING IS UNPUBLISHED. RELEASED FOR PUBLICATION  
 © COPYRIGHT 20 BY TYCO ELECTRONICS CORPORATION. ALL RIGHTS RESERVED.

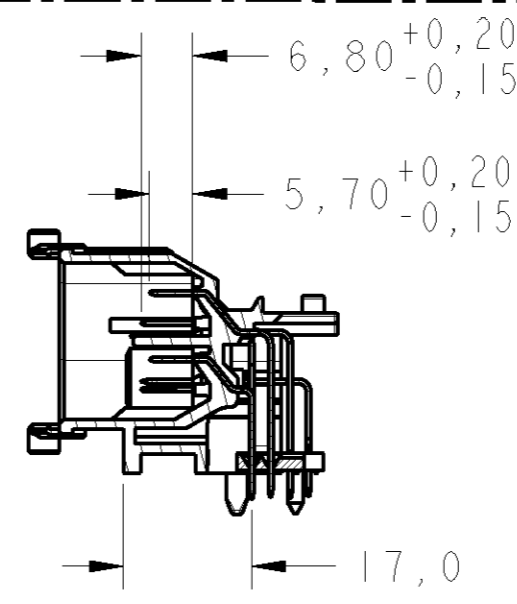
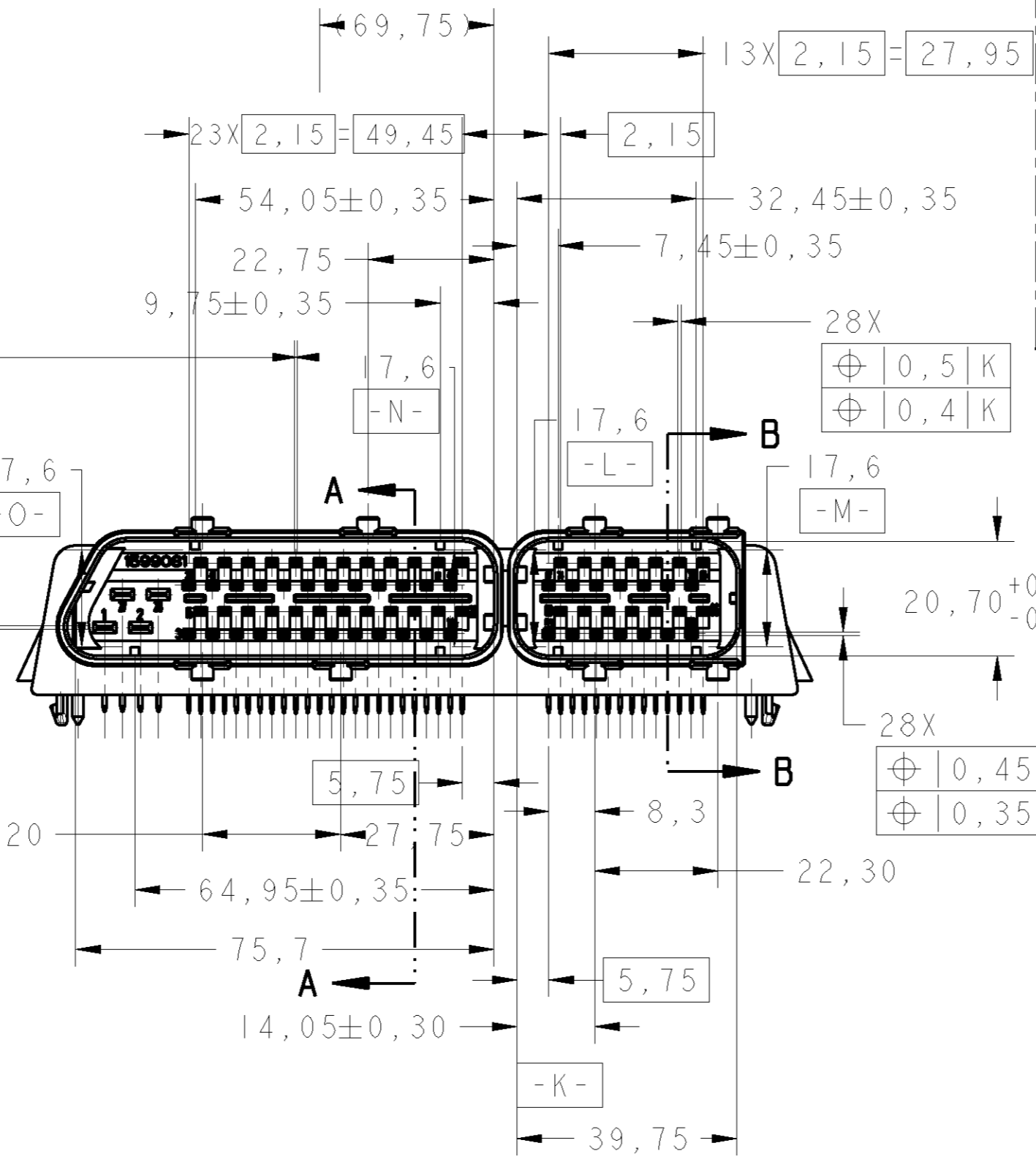
LOC		DIST		REVISIONS			
P	LTR	DESCRIPTION	DATE	DWN	APVD		
AP	-						
Q		RELEASED LE10-0358/04	18OCT2008	NCL	PLF		
A		REVISED BY LE10-0396/04	11/NOV/2004	JOF	PLF		
AI		REVISED BY ECO-08-022178	11SEP2008	NCL	WAO		



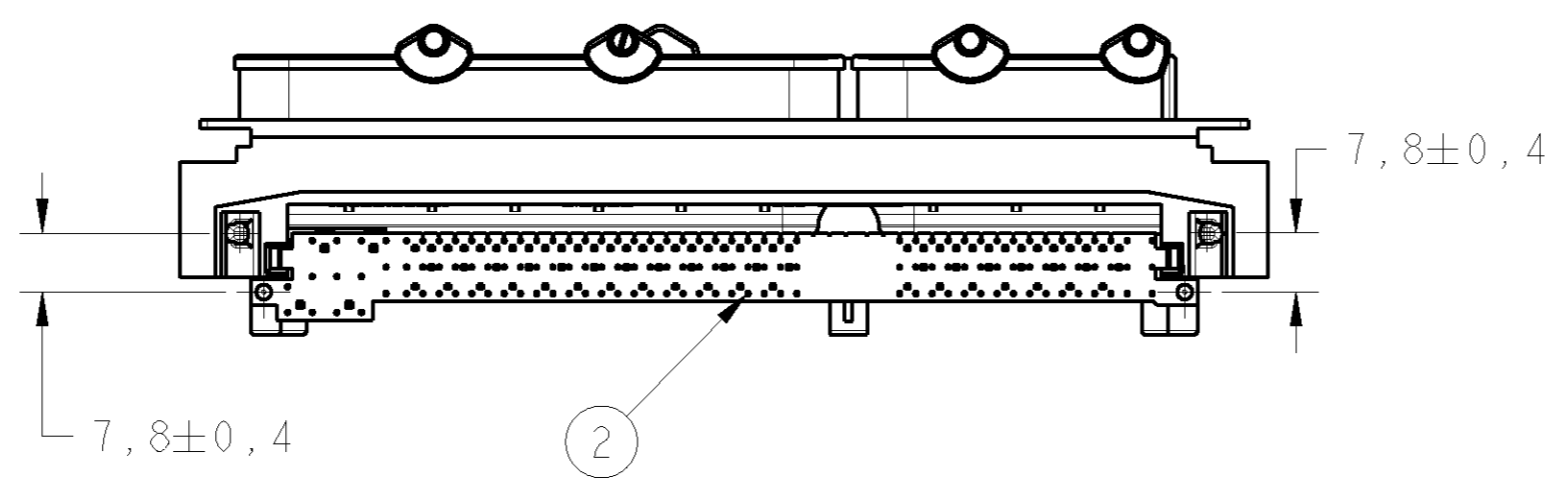
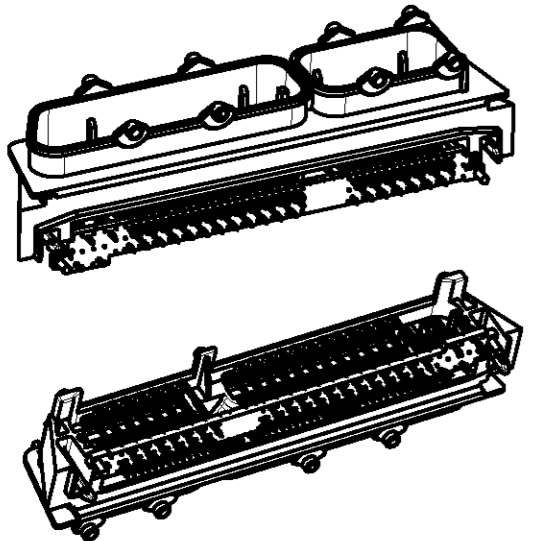
SECTION B-B



52X	±0,5	C
52X	±0,4	C
52X	±0,45	N O
52X	±0,35	N O



GRAVAÇÕES MARKINGS	
LOGOTIPO TE	TE LOGO
CÓDIGO PAÍS PRODUTOR	MANUFACTURER COUNTRY CODE
NOMENCLATURA MATERIAL	MATERIAL NOMENCLATURE
NÚMERO COMPONENTE TE	TE COMPONENT NUMBER
NÚMERO CAVIDADE	CAVITY NUMBER
IDENTIFICAÇÃO CIRCUITO	CIRCUIT IDENTIFICATION
PAÍS PRODUTOR	MANUFACTURER COUNTRY
REV+ LETRA REV.DA PEÇA	REV.+ PART REV.LETTER
DATADOR	DATE CODE



REQ. PER ASSY	ITEM	DESCRIPTION	MATERIAL	FINISH
1	2	PIN GUIDE 80 POSN. HOUSING, OVER MOLDED	PBT+GF30 PA66+GF30	AMARELO/YELLOW PRETO/BLACK
8-1393476-0				

DIMENSIONS: mm		TOLERANCES UNLESS OTHERWISE SPECIFIED:		DWN 18OCT2004		TYCO ELECTRONICS Brasil LTDA. Sao Paulo, Brasil	
0 PLC	±	1 PLC	±0,3	CHK NCLAPRESSA	18OCT2004	NAME	
2 PLC	±	2 PLC	±0,2	CHK PLEARIA	18OCT2004	80 POSN., PIN HEADER WITH PIN GUIDE	
3 PLC	±	3 PLC	±	APVD MRODRIGUES	18OCT2004	SIZE CAGE CODE DRAWING NO RESTRICTED TO	
4 PLC	±	4 PLC	±	PRODUCT SPEC		A200779 C-8-1393476-0	
ANGLES		FINISH	±30'	APPLICATION SPEC		SCALE SHEET OF REV AI	
SEE TABLE		SEE TABLE		WEIGHT			
				CUSTOMER DRAWING			