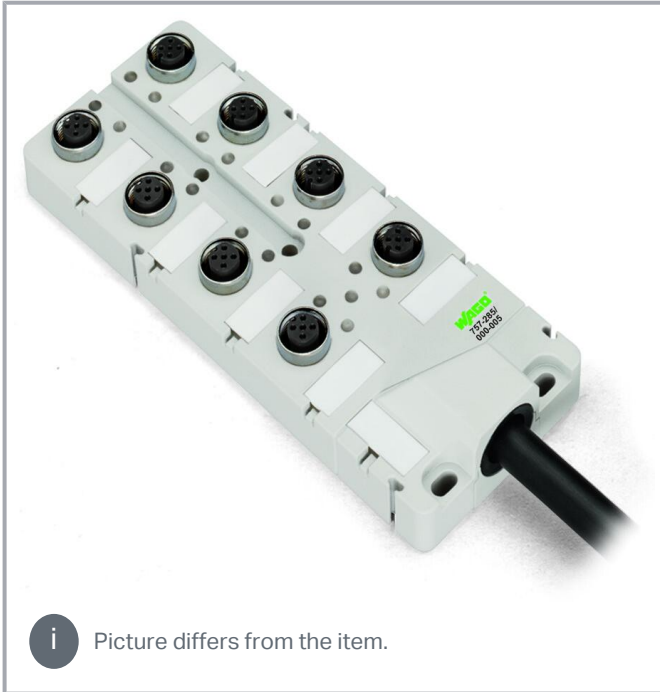
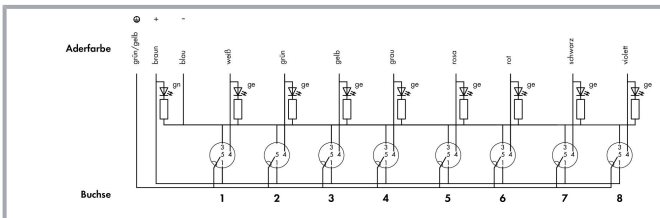
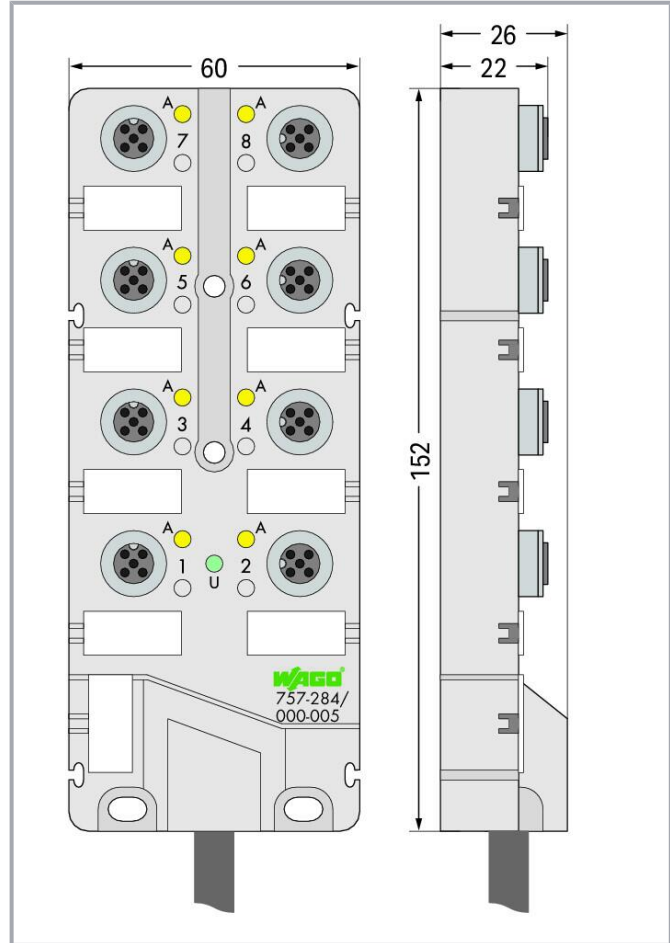


Data sheet | Item number: 757-284/000-005  
M12 sensor/actuator box; 8-way; 4-pole; 5 m

[www.wago.com/757-284/000-005](http://www.wago.com/757-284/000-005)



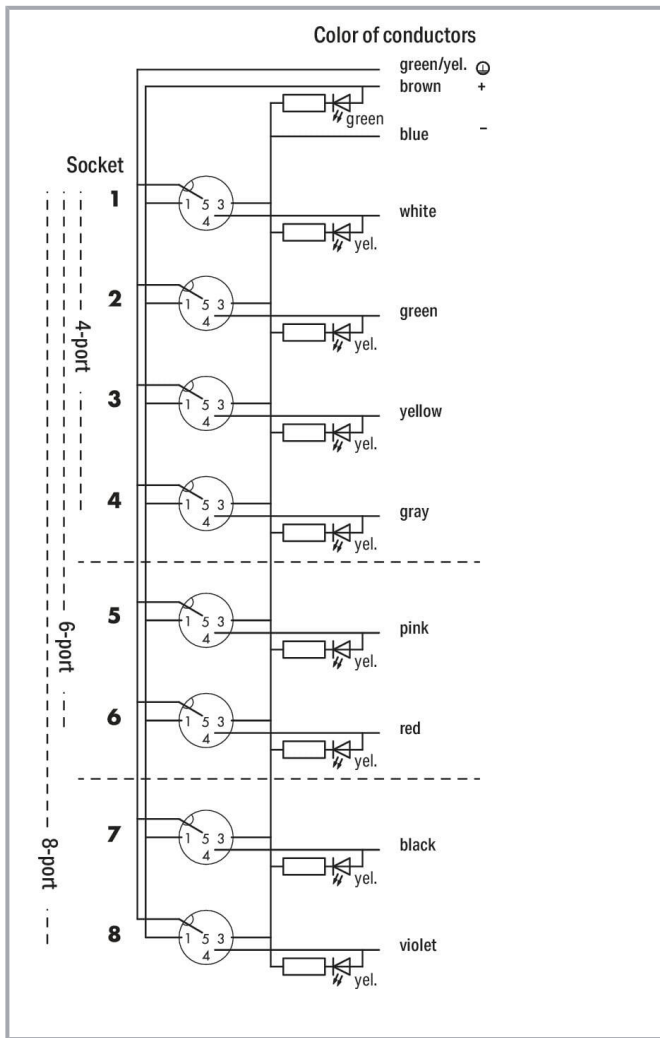
**i** Picture differs from the item.



Subject to changes. Please also observe the further product documentation!

WAGO GmbH & Co. KG  
Hansastr. 27  
32423 Minden  
Phone: +49571 887-0 | Fax: +49571 887-169  
Email: [info.de@wago.com](mailto:info.de@wago.com) | Web: [www.wago.com](http://www.wago.com)

Do you have any questions about our products?  
We are always happy to take your call at +49 (571) 887-44222.



### Item description

- M12 sensor/actuator box, 8-way
- 4-pole (1 signal per contact)
- Cable length: 5, 10 and 25 m
- Green LED operating indicator
- Yellow LED status indicator
- incl. markers (10 pcs)
- incl. M12 protective caps (2 pcs)

Subject to changes. Please also observe the further product documentation!



## Data

### Technical data

Contact resistance (max.)	0.01 $\Omega$
Supply voltage	10 ... 30 VDC; Rated voltage: 32 V ~ rms
Current carrying capacity (signal connections)	2 A
Current carrying capacity (supply connections)	9 A
Rated value of electrical isolation	500 V
Functionally separated potential groups	Kontakt/Kontakt
Insulation resistance	1000 M $\Omega$
Signal characteristics	PNP
Indicators	LED (A) yellow: Signal status (1 x per contact); LED (U) green: Sensor /actuator box status

### Connection data

Connection technology: inputs/outputs	8 x M12 socket; 4-pole; incl. ground
Connection technology: trunk cable	1 x Fixed connecting cable
Length of connection cable	5 m
Strip length	100 mm / 3.94 inches
Wire colors	white, green, yellow, gray, pink, red, black, purple, green/yellow, brown, blue
Cable design	Wire cross-section: 0.34 mm <sup>2</sup> ; Wire cross-section (2): 1 mm <sup>2</sup>

### Physical data

Width	60 mm / 2.362 inches
Height	26 mm / 1.024 inches
Depth	152 mm / 5.984 inches

### Mechanical Data

Mounting type	Screw mounting
Weight	748 g

### Material Data

Housing material	PA 66 (UL 94 V0); RAL 7035; silicon and halogen free
Halogen-free	Yes
Sheathed cable diameter	8.2 mm

Subject to changes. Please also observe the further product documentation!



Bending radius	10 x cable diameter (min.) for flexible application
Material properties of the connections	Contact: CuSn, nickel base-coat plating and 0.8 µm gold-plated; Threaded bush: die-cast Zn, nickel-plated; Seal: Viton; 50 mating cycles
Sheath material	PUR
Sheathed cable color	black
Encapsulation	Fully encapsulated with conformal coating (UL 94 V0)

## Environmental requirements

Ambient temperature (operation)	-25 ... +80 °C
Ambient (operating) temperature (dynamic)	-5 ... +80 °C
Ambient (operating) temperature (static)	-40 ... +80 °C
Protection type	IP68
Note on protection type	72 h at a depth of 1 m under water per EN 60529 in the fully locked position with its plugs or protective caps
Pollution degree	3 per VDE 0110
Vibration resistance	per IEC 60068-2-6
Shock resistance	per IEC 60068-2-27

## Commercial data

eCl@ss 10.0	27-44-01-08
eCl@ss 9.0	27-44-01-08
ETIM 8.0	EC002585
ETIM 7.0	EC002585
PU (SPU)	1 pcs
Packaging type	box
Country of origin	DE
GTIN	4045454028466
Customs tariff number	85366990990

## Environmental Product Compliance

CAS-No.	7439-92-1
REACH Candidate List Substance	Lead
RoHS Compliance Status	Compliant,With Exemption
RoHS Exemption	6(c)
SCIP notification number (Austria)	122f9450-f0db-4b6b-9af8-a42c9de7c55a
SCIP notification number (Belgium)	40d27e24-724a-4ad1-ada4-905d00c936e5

Subject to changes. Please also observe the further product documentation!


WAGO GmbH & Co. KG  
 Hansastr. 27  
 32423 Minden  
 Phone: +49571 887-0 | Fax: +49571 887-169  
 Email: [info.de@wago.com](mailto:info.de@wago.com) | Web: [www.wago.com](http://www.wago.com)

Do you have any questions about our products?  
 We are always happy to take your call at +49 (571) 887-44222.

SCIP notification number (Bulgaria)	68261e21-34b2-4de7-8739-2d28d6970b4d
SCIP notification number (Czech Republic)	6b87664f-d524-4dfd-b51d-73c17fb0c37f
SCIP notification number (Denmark)	9b31dda5-5351-498e-be31-b60403315942
SCIP notification number (Finland)	58d89936-8442-48ce-a5a1-9a9ed5b7f6c2
SCIP notification number (France)	62acc678-f2a7-4299-b63b-45139ae5a209
SCIP notification number (Germany)	bea86ebe-9649-49ae-875d-172a4173f526
SCIP notification number (Hungary)	0e9e0761-cfb1-4dc9-849a-28b6c8a52670
SCIP notification number (Italy)	ab37b7d7-a83a-4843-ab5f-1dc2b5adbf40
SCIP notification number (Netherlands)	ecb2183c-7f3c-4994-b393-5ba002078372
SCIP notification number (Poland)	7837e59e-91bc-4ce7-9507-92d0a357e22c
SCIP notification number (Romania)	3979441d-b46c-4ce1-b1b2-2a3fdfa2b29c
SCIP notification number (Sweden)	f904527e-3d4e-4b97-8c7f-7d068c7cec78

## Approvals / Certificates

### General approvals

Logo	Approval	Additional Approval Text	Certificate name
	<b>UL</b> UL International Germany GmbH (ORDINARY LOCATIONS)	UL 508	E175199 Sec.5

## Optional accessories

### Mounting

Intermediate plate



**Item no.: 757-080**  
Spacer module for sensor/actuator box; 8-way

[www.wago.com/757-080](http://www.wago.com/757-080)

### Cover

Cover



**Item no.: 756-8102**  
M12 protective cap; for unused sockets

[www.wago.com/756-8102](http://www.wago.com/756-8102)

### Marking accessories

Marking strip



**Item no.: 757-011**  
Marker card; not stretchable; snap-on type

[www.wago.com/757-011](http://www.wago.com/757-011)

Marking devices

Subject to changes. Please also observe the further product documentation!

WAGO GmbH & Co. KG  
 Hansastr. 27  
 32423 Minden  
 Phone: +49571 887-0 | Fax: +49571 887-169  
 Email: [info.de@wago.com](mailto:info.de@wago.com) | Web: [www.wago.com](http://www.wago.com)

Do you have any questions about our products?  
 We are always happy to take your call at +49 (571) 887-44222.



Item no.: 210-110  
Fiber-tip pen

## Downloads

### Documentation

#### System Description

Sensor/Actuator Boxes – General Product Information		pdf 438.6 kB	Download
---	--	-----------------	----------

#### Additional Information

Disposal and Recycling	V 1.1.0	pdf	Download
Electrical and electronic equipment, Batteries, Packaging	2022 Aug 18	2.2 MB	

## CAD/CAE-Data

### CAE data

EPLAN Data Portal 757-284/000-005		URL	Download
WSCAD Universe 757-284/000-005		URL	Download
WSCAD Universe 757-284/000-005		URL	Download
EPLAN Data Portal 757-284/000-005		URL	Download
ZUKEN Portal 757-284/000-005		URL	Download

### CAD data

2D/3D Models 757-284/000-005		URL	Download
------------------------------	--	-----	----------

## Environmental Product Compliance

### Compliance Search

Environmental Product Compliance 757-284/000-005		URL	Download
M12 sensor/actuator box; 8-way; 4-pole; 5 m			

Subject to changes. Please also observe the further product documentation!



## Installation Notes

Subject to changes. Please also observe the further product documentation!

---

WAGO GmbH & Co. KG

Hansastr. 27

32423 Minden

Phone: +49571 887-0 | Fax: +49571 887-169

Email: [info.de@wago.com](mailto:info.de@wago.com) | Web: [www.wago.com](http://www.wago.com)

Do you have any questions about our products?

We are always happy to take your call at +49 (571) 887-44222.