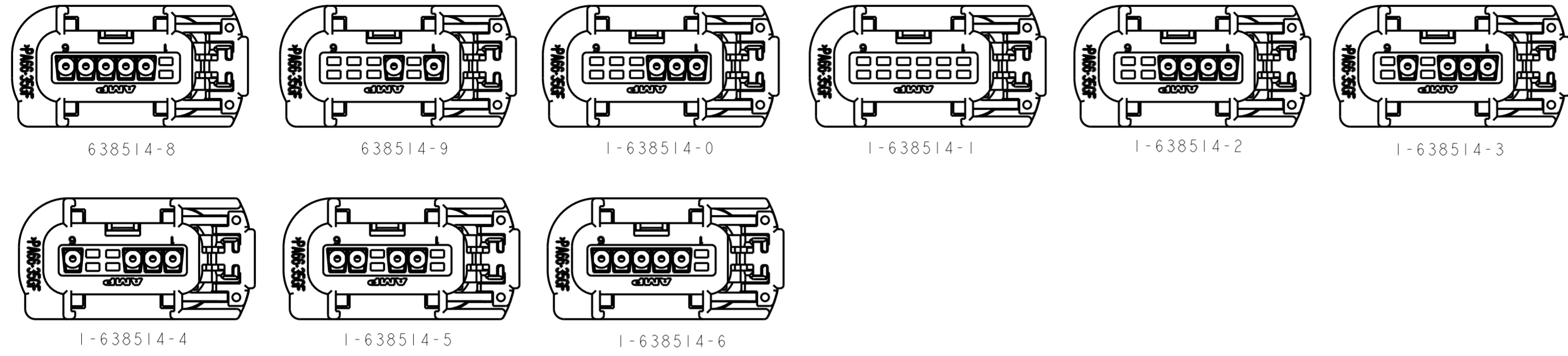
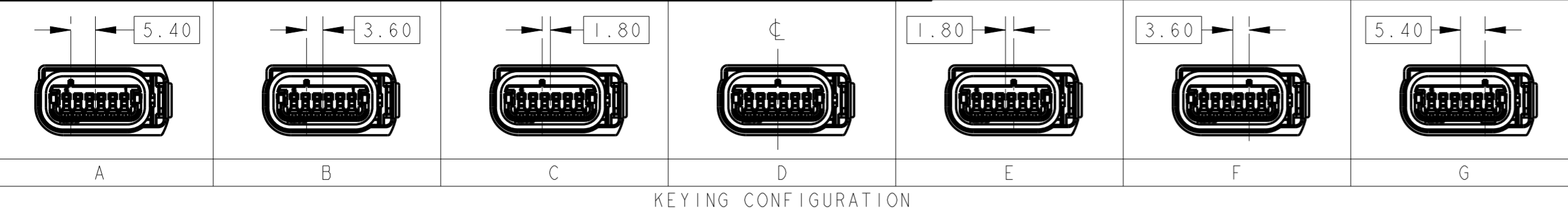
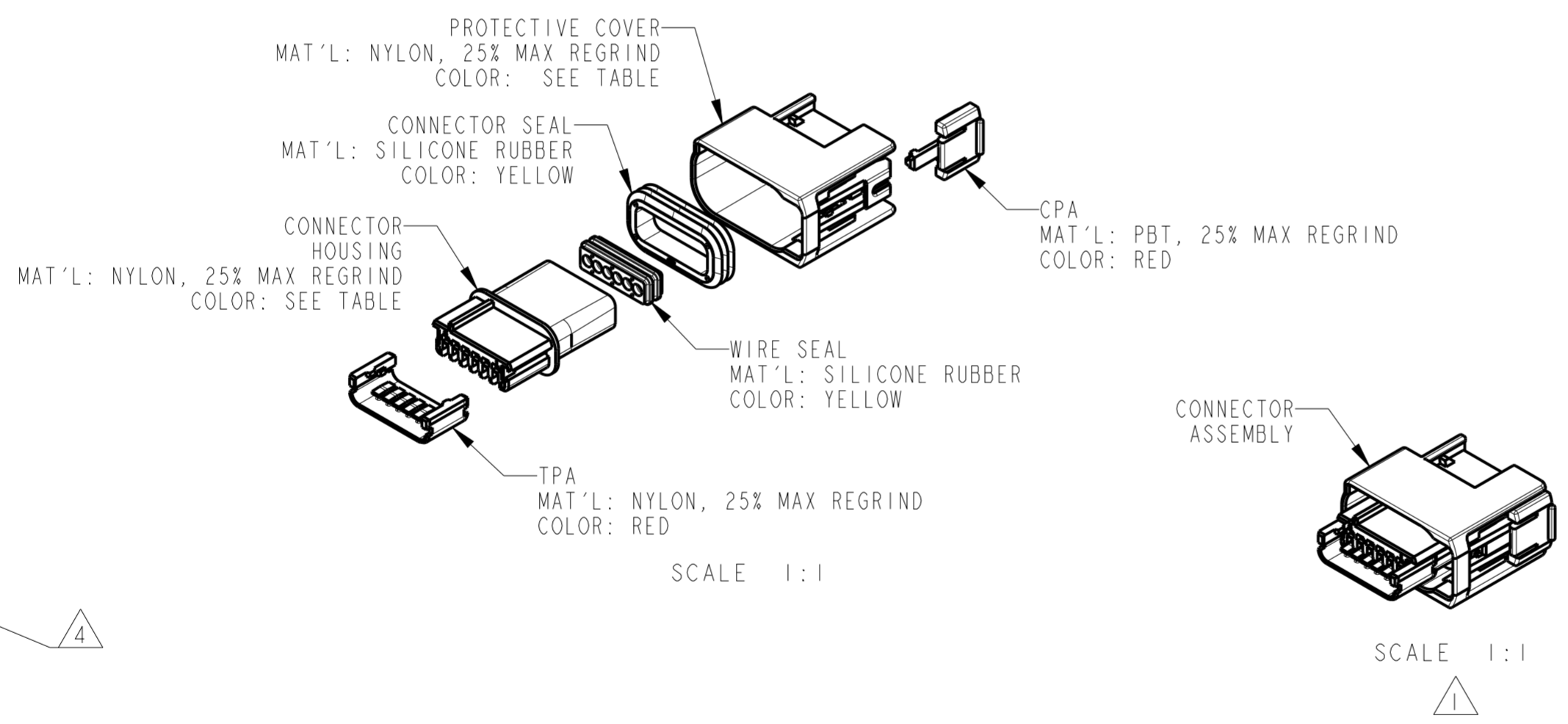


THIS DRAWING IS UNPUBLISHED. RELEASED FOR PUBLICATION 20
 © COPYRIGHT BY ALL RIGHTS RESERVED.

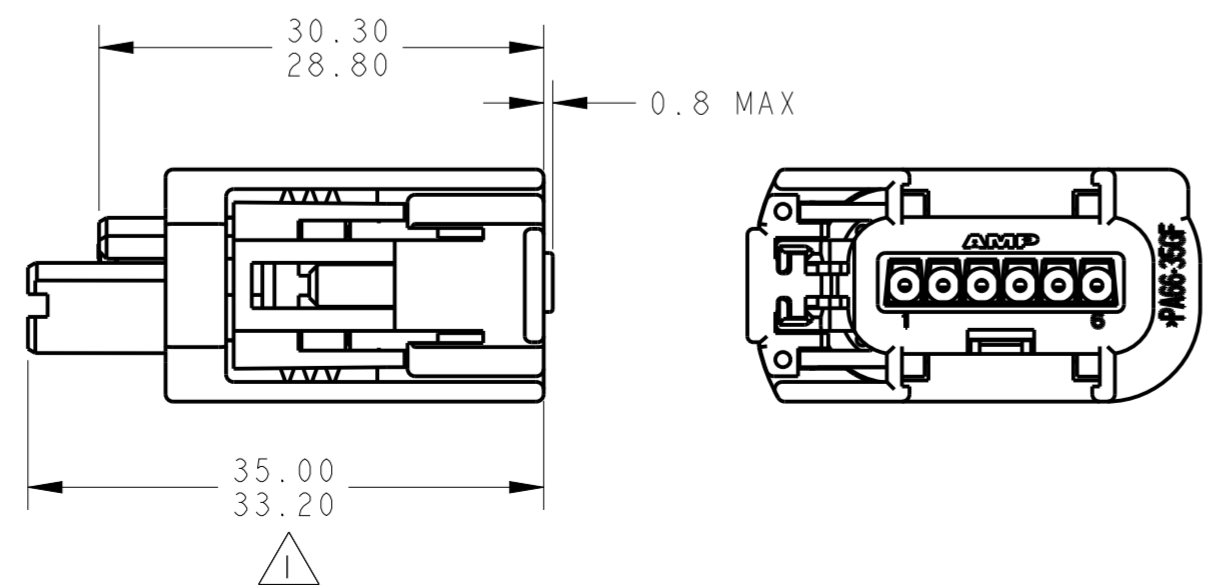
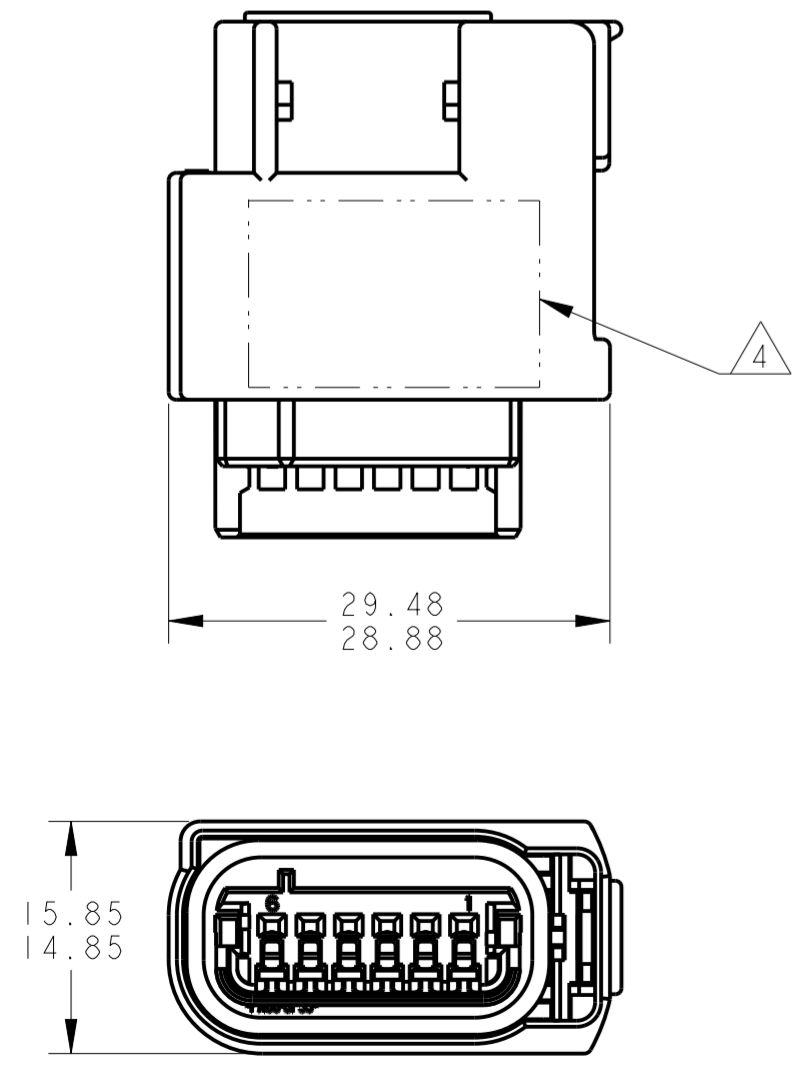
REVISIONS					
P	LTR	DESCRIPTION	DATE	DWN	APVD
F1		REVISED PER ECO-08-018575	30JUL2008	DLD	CJS
F2		REVISED PER ECO-16-011103	15AUG2016	DLD	JRV
F3		REVISED PER ECO-20-012419	23APR2021	AP	JRV



- 1 TPA SHOWN IN PRE-LATCHED POSITION.
- 2 A "X" IN THIS TABLE INDICATES THAT THE CIRCUIT IS BLOCKED AND WILL NOT ALLOW INSERTION OF TERMINAL. A "-" INDICATES THAT INSERTION OF TERMINAL CAN OCCUR.
- 3. PART NUMBER 638514-1 SHOWN.
- 4 AMP PART NUMBER AND DATE CODE MARKED IN THIS GENERAL LOCATION.
- 5. TERMINALS SOLD SEPARATELY. SEE AMP RECOMMENDED PART NUMBERS 1326028 (GOLD PLATED), OR 638551 (TIN PLATED) FOR TERMINATION AND REELING OPTIONS.
- 6 OBSOLETE PART NUMBER.



	CIRCUIT 6	CIRCUIT 5	CIRCUIT 4	CIRCUIT 3	CIRCUIT 2	CIRCUIT 1	KEYING CONFIGURATION (SEE TABLE)	PART NUMBER
BLACK	-	-	-	-	-	X	G	1-638514-6
BLACK	-	-	X	-	-	X	A	1-638514-5
BLACK	-	X	X	-	-	-	A	1-638514-4
BLACK	X	-	X	-	-	-	A	1-638514-3
BLACK	X	X	-	-	-	-	A	1-638514-2
BLACK	X	X	X	X	X	X	A	1-638514-1
BLACK	X	X	X	-	-	-	A	1-638514-0
BLACK	X	X	X	-	X	-	A	638514-9
BLACK	-	-	-	-	-	X	A	638514-8
BLACK	-	-	-	-	-	-	G	638514-7
BLACK	-	-	-	-	-	-	F	638514-6
BLACK	-	-	-	-	-	-	E	638514-5
BLACK	-	-	-	-	-	-	D	638514-4
BLACK	-	-	-	-	-	-	C	638514-3
YELLOW	-	-	-	-	-	-	B	638514-2
BLACK	-	-	-	-	-	-	A	638514-1



ISOMETRIC VIEWS

THIS DRAWING IS A CONTROLLED DOCUMENT.

DIMENSIONS: mm

TOLERANCES UNLESS OTHERWISE SPECIFIED:

0 PLC	±
1 PLC	±
2 PLC	±0.5
3 PLC	±0.20
4 PLC	±

ANGLES FINISH ±

MATERIAL SEE CALLOUT

THIS DRAWING IS A CONTROLLED DOCUMENT.

DWN B. BUCHTER 12APR2001
 CHK M. SHORE 12APR2001
 APVD G. BALAN 12APR2001

PRODUCT SPEC SAE/USCAR-2 8/97

APPLICATION SPEC

WEIGHT

CUSTOMER DRAWING

NAME CONNECTOR ASSEMBLY, FEMALE, 6 POSITION, SEALED, 0.64mm

SIZE A2 CAGE CODE 00779 DRAWING NO. C-638514

RESTRICTED TO

SCALE 2:1 SHEET 1 OF 1 REV F3