

1 Products affected

Product hierarchy no. *				Part no.	SBU	Type / Description	Customer part no.
SBU	PG	PGU	Type				
02	005	016	0000001107	See list below	Power Entry Modules w/o Filters	KEA	
02	005	116	0000001136	See list below	Power Entry Modules w/o Filters	KEA Print	

*SBU (2-digit) / PG (3-digit) / PGU (3-digit) / Type (10-digit)

List of part numbers affected							
KEA							
4301.0001	4301.0002	4301.0003	4301.0004	4301.0011	4301.0021	4301.0022	4301.0023
4301.0024	4301.0062	4301.0201	4301.0221	4301.0224	4301.0234	4301.0501	4301.0502
4301.0503	4301.0504	4301.0511	4301.0521	4301.0522	4301.0523	4301.0524	4301.0531
4301.0532	4301.0571	4301.0576	4301.0581	4301.0586	4301.0596	4301.0602	4301.0604
4301.0701	4301.0703	4301.0704	4301.0714	4301.0721	4301.0722	4301.0723	4301.0724
4301.2001	4301.2002	4301.2003	4301.2004	4301.2021	4301.2022	4301.2023	4301.2024
4301.2041	4301.2042	4301.2043	4301.2044	4301.2061	4301.2062	4301.2063	4301.2064
4301.2071	4301.2121	4301.2122	4301.2123	4301.2124	4301.2141	4301.2142	4301.2143
4301.2161	4301.2171	4301.2441	4301.2443	4301.2474	4301.3323	4301.3324	4301.3331
4301.3333	4301.4051	4301.8026	4301.8030	4301.8032	4301.8037		
KEA Print							
4301.3201	4301.3202	4301.3203	4301.3204	4301.3211	4301.3212	4301.3213	4301.3214

2 Type of change

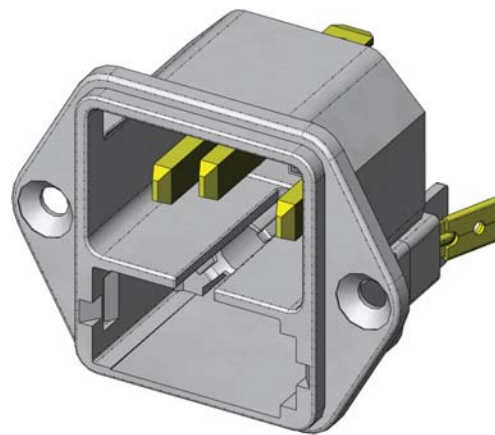
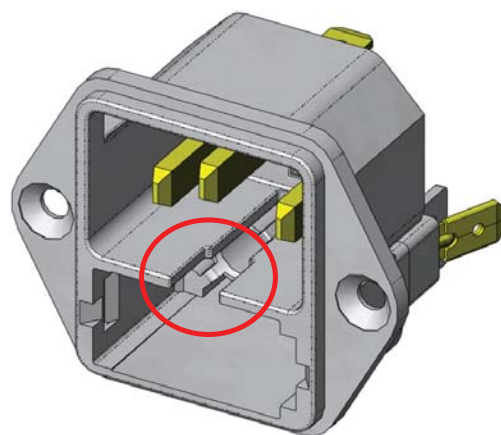
Enlarging of the fusedrawer slot.

3 Detailed description of change

Fusedrawer slot enlarged.

New

Old



KEA/ KEA print					0118.2138	
creation date	created by	release date	released by	notification no.	revision	page
2012-11-02	schaidro	2013-01-24	schaidro	24326	-	1 of 2

4 Reason of change

Implementation of V-Lock cord retention function.
 Precondition: new fusedrawer required (see PCN 0118.2133).

5 Released date

The change will be rolled-out individually by all part numbers affected starting ww 04/2013 and last approx. 6 months.

6 Impact of change and recommended action

Form: New form is fully backwards compatible (can be used with old fusedrawer, see PCN 0118.2133).
 Fit: n/a
 Function: The new expanded slot allows applying V-Lock cord sets for cord retaining (new fuse drawer necessary).
 Production Site: n/a
 Product Label: n/a

7 Reference Documents / Attachments

Kind of document	Document number	Remarks
PCN fusedrawer 2	0118.2133	
Data sheet Fusedrawer 2		
Data sheet KEA		
Data sheet KEA Print		

KEA/ KEA print					0118.2138	
creation date	created by	release date	released by	notification no.	revision	page
2012-11-02	schaidro	2013-01-24	schaidro	24326	-	2 of 2