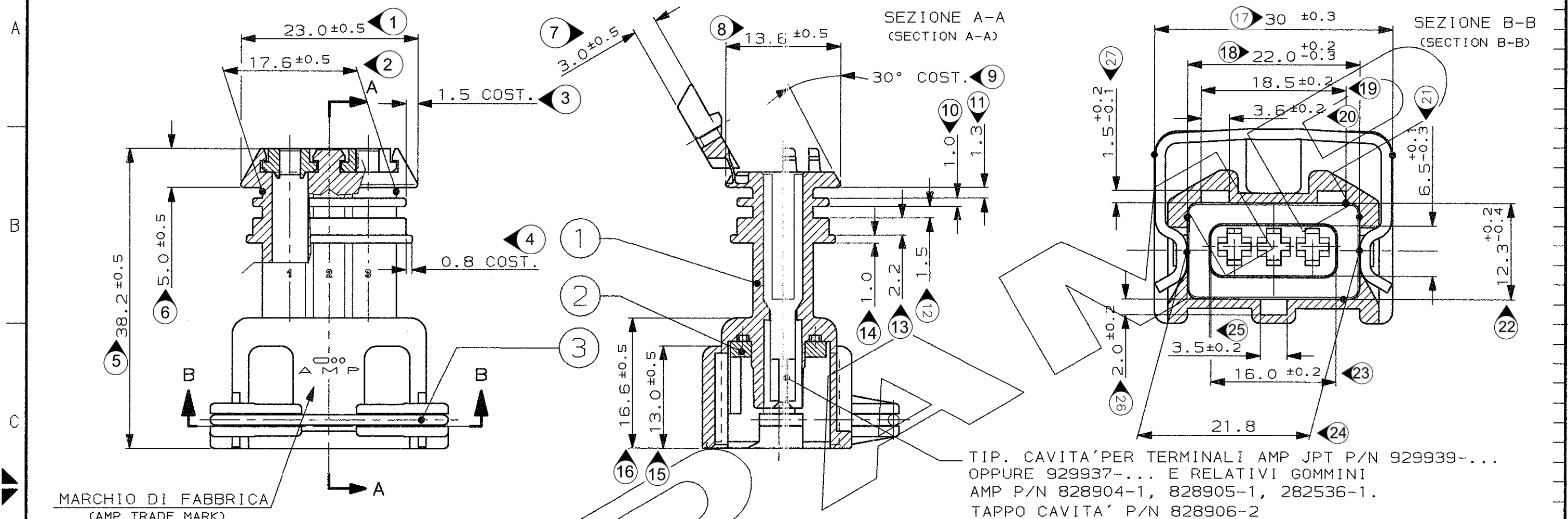


CONNETTORE TIPO A (CON MOLLA DI RITEGNO ESTERNA)  
CONNECTOR TYPE B (WITH INTERNAL SPRING)

SCALA NON IMPEGNATIVA  
(DO NOT SCALE)  
DIMENSIONI IN mm  
(DIMENSIONS IN)

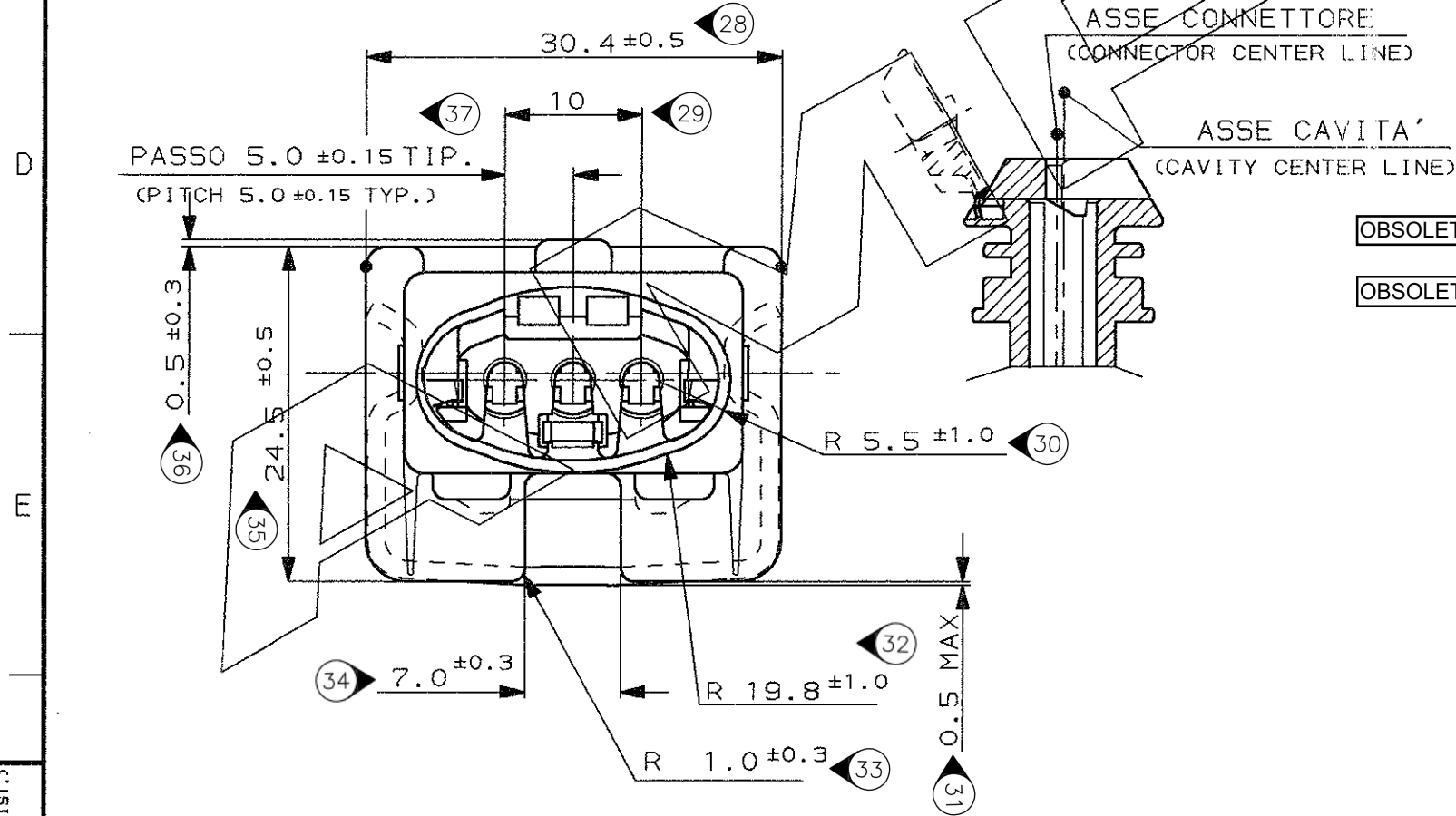
**METRIC**

PROIEZIONE EUROPEA  
(EUROPEAN PROJECTION)



MARCHIO DI FABBRICA  
(AMP TRADE MARK)

TIP. CAVITA' PER TERMINALI AMP JPT P/N 929939-...  
OPPURE 929937-... E RELATIVI GOMMINI  
AMP P/N 828904-1, 828905-1, 282536-1.  
TAPPO CAVITA' P/N 828906-2  
(TYP. CAV. FOR JPT CONT. P/N 929939-.. A/O 929937-.. AND REL.  
SINGLE WIRE SEAL P/N 828904-1, 828905-1, 282536-1  
CAVITY PLUG P/N 828906-2)



	MARRONE (BROWN)	282729-6	E2	3	//////	ACCIAIO INOX (STAINLESS STEEL)	MOLLA (SPRING)									
OBSOLETE	BLU (BLUE)	282729-5				E2	2	NATURALE (NATURAL)	GOMMA SILICONE (SILICONE RUBBER)	GUARNIZIONE (SEALING)						
	VERDE (GREEN)	282729-4							E2	1	//////	PA 6.6	BLOCCHETTO (HOUSING)			
OBSOLETE	NATURALE (NATUR)	282729-3										E2	1	//////		
	GRIGIO (GREY)	282729-2													E2	1
	NERO (BLACK)	282729-1	E2	1	//////											
	COLORE (COLOR)	NUMERO (PART. N°)				ASSY REV.	N° (ITEM)	FINITURA / COLORE (FINISH / COLOUR)								

CUSTOMER DWG. FOR REFERENCE ONLY  
DISEGNO PER CLIENTE SOLO PER RIFERIMENTO

THIS DRAWING IS UNPUBLISHED  
RELEASE FOR PUBLICATION 19

© COPYRIGHT 19 BY AMP INCORPORATED, HARRISBURG, PA. ALL INTERNATIONAL RIGHT RESERVED. AMP PRODUCTS MAY BE COVERED BY U.S. AND FOREIGN PATENT AND/OR PATENT PENDING

TOLLERANZE, SE NON DIVERSAMENTE SPECIFICATO  
(TOLERANCES, UNLESS OTHERWISE SPECIFIED)

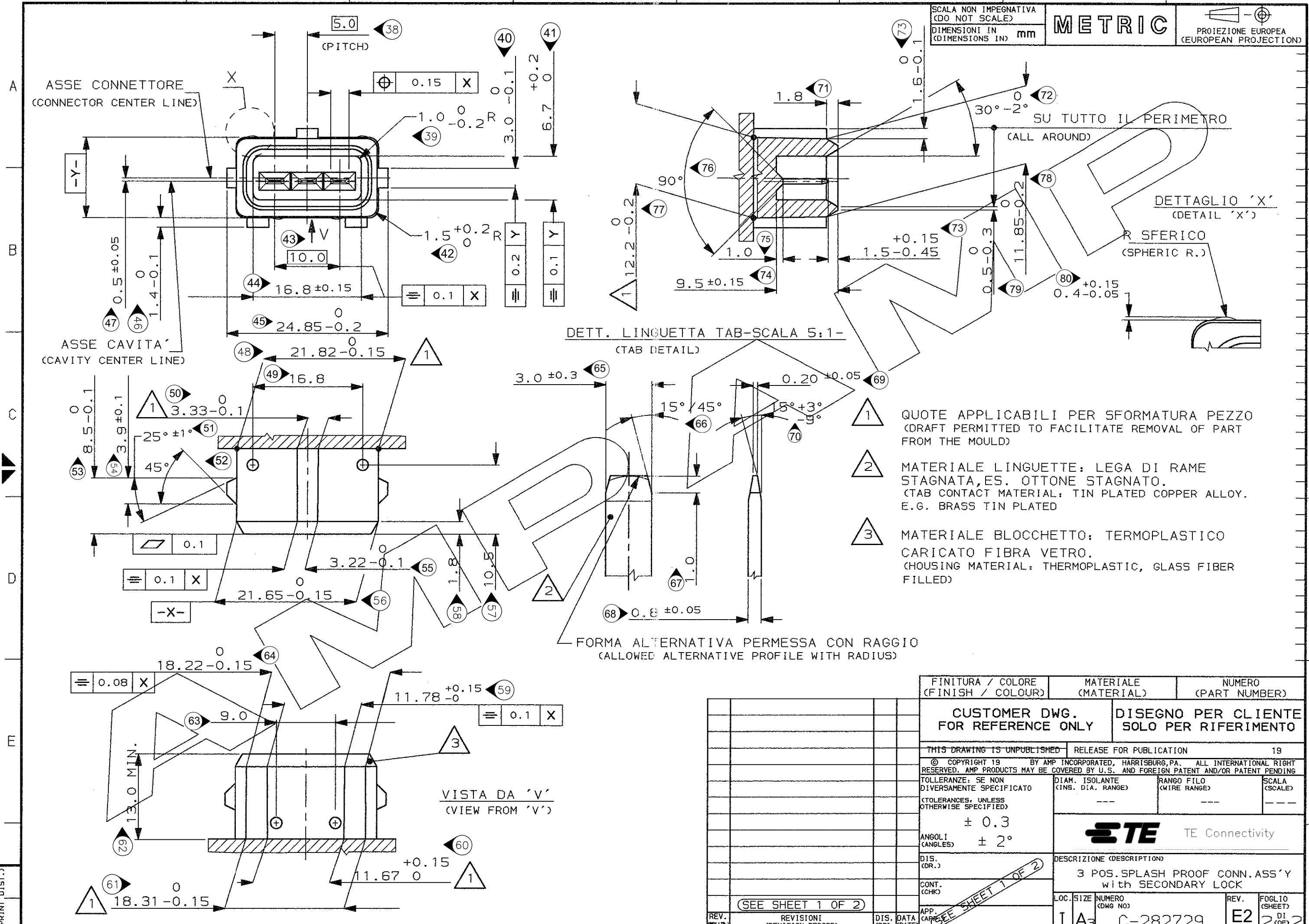
DIAM. ISOLANTE (INS. DIA. RANGE)	RANGO FILO (WIRE RANGE)	SCALA (SCALE)
1.5-3.0 mm (RED. INS. CABLE)	0.5-2.5 mm <sup>2</sup>	---

± 0.3  
ANGOLI (ANGLES) ± 2°  
DIS. 19 MAY 95 (DR.)  
M. PALMA  
CONT. 19 MAY 95 (CHK)  
C. TARTARI

DESCRIZIONE (DESCRIPTION)  
3 POS. SPLASH PROOF CONN. ASS'Y with SECONDARY LOCK

LOC. SIZE	NUMERO (DWG NO)	REV.	FOLGIO (SHEET)
I A3	C-282729	E2	1 DI 2

DISTRIBUZIONE  
(PRINT DIST.)



- 1 QUOTE APPLICABILI PER SFORMATURA PEZZO (DRAFT PERMITTED TO FACILITATE REMOVAL OF PART FROM THE MOULD)
- 2 MATERIALE LINGUETTE: LEGA DI RAME STAGNATA, ES. OTTONE STAGNATO. (TAB CONTACT MATERIAL: TIN PLATED COPPER ALLOY. E.G. BRASS TIN PLATED)
- 3 MATERIALE BLOCCHETTO: TERMOPLASTICO CARICATO FIBRA VETRO. (HOUSING MATERIAL: THERMOPLASTIC, GLASS FIBER FILLED)

FORMA ALTERNATIVA PERMESSA CON RAGGIO (ALLOWED ALTERNATIVE PROFILE WITH RADIUS)

FINITURA / COLORE (FINISH / COLOUR)		MATERIALE (MATERIAL)		NUMERO (PART NUMBER)	
CUSTOMER DWG. FOR REFERENCE ONLY		DISEGNO PER CLIENTE SOLO PER RIFERIMENTO			
THIS DRAWING IS UNPUBLISHED		RELEASE FOR PUBLICATION		19	
© COPYRIGHT 19 BY AMP INCORPORATED, HARRISBURG, PA. ALL INTERNATIONAL RIGHT RESERVED. AMP PRODUCTS MAY BE COVERED BY U.S. AND FOREIGN PATENT AND/OR PATENT PENDING					
TOLLERANZE: SE NON DIVERSAMENTE SPECIFICATO (TOLERANCES: UNLESS OTHERWISE SPECIFIED)		DIAM. ISOLANTE (INS. DIA. RANGE)		RANGO FILO (WIRE RANGE)	
± 0.3		---		---	
ANGOLI (ANGLES)		---		---	
± 2°		---		---	
DIS. (DR.)		DESCRIZIONE (DESCRIPTION)			
		3 POS. SPLASH PROOF CONN. ASS'Y with SECONDARY LOCK			
CONT. (CHK)		LOC. SIZE NUMERO (DWG NO)		REV. FOGLIO (SHEET)	
		I A3 C-282729		E2 2 DI (OF) 2	
SEE SHEET 1 OF 2		SEE SHEET 1 OF 2		SEE SHEET 1 OF 2	
REV. (REVISION RECORD)		DIS. DATA (DR. DATE)		APP. (APPROVED)	

DISTRIBUZIONE (PRINT DIST.)