

# Housing - HC-STA-D15-CHWS-1TTM25-EL-AL - 1424361


Please be informed that the data shown in this PDF Document is generated from our Online Catalog. Please find the complete data in the user's documentation. Our General Terms of Use for Downloads are valid (<http://phoenixcontact.com/download>)



Coupling housings D15, with single locking latch, material: Die-cast aluminum, salt water resistant, cable outlets: 1, straight, height: 64 mm, cable gland: none, support sleeve: no, 1x M25, Standard



## Key Commercial Data

Packing unit	1 pc
GTIN	 4 055626 371030
GTIN	4055626371030

## Technical data

### Dimensions

Height	64 mm
Width	30 mm
Length	63.5 mm

### Ambient conditions

Degree of protection (IP)	IP66
	IP67
Ambient temperature (operation)	-40 °C ... 125 °C

### General

Note	For contact inserts HC-D15, A10
Size	D15
Housing type	Coupling housings
Color	gray aluminum
Locking type	with single locking latch
No. of cable outlets	1
Cable outlet	straight
Screw connection	none

# Housing - HC-STA-D15-CHWS-1TTM25-EL-AL - 1424361

## Technical data

### General

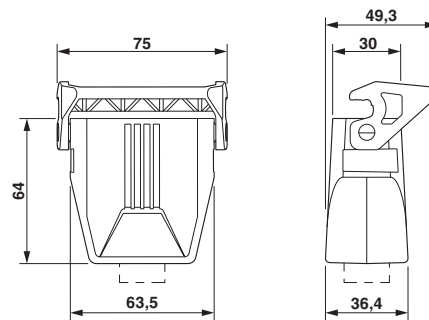
Type of the screw connection	1x M25
Housing material	Die-cast aluminum, salt water resistant
Housing surface material	uncoated
Material lock	PA
Flammability rating according to UL 94	V0 (Interlock)

### Environmental Product Compliance

China RoHS	Environmentally Friendly Use Period = 50 years
	For details about hazardous substances go to tab "Downloads", Category "Manufacturer's declaration"

## Drawings

Dimensional drawing



Dimensional drawing

## Classifications

eCl@ss

eCl@ss 10.0.1	27440202
eCl@ss 11.0	27440202
eCl@ss 5.1	27261200
eCl@ss 6.0	27261200
eCl@ss 7.0	27440202
eCl@ss 9.0	27440202

ETIM

ETIM 6.0	EC000437
ETIM 7.0	EC000437

## Approvals

Approvals

# Housing - HC-STA-D15-CHWS-1TTM25-EL-AL - 1424361

## Approvals

Approvals

UL Recognized / cUL Recognized / DNV GL / EAC / cULus Recognized

---

Ex Approvals

---

### Approval details

UL Recognized		<a href="http://database.ul.com/cgi-bin/XYV/template/LISEXT/1FRAME/index.htm">http://database.ul.com/cgi-bin/XYV/template/LISEXT/1FRAME/index.htm</a>	E255026
cUL Recognized		<a href="http://database.ul.com/cgi-bin/XYV/template/LISEXT/1FRAME/index.htm">http://database.ul.com/cgi-bin/XYV/template/LISEXT/1FRAME/index.htm</a>	E255026
DNV GL		<a href="https://approvalfinder.dnvgl.com/">https://approvalfinder.dnvgl.com/</a>	TAE000037S
EAC			RU C- DE.BL08.B.00511
cULus Recognized			

## Accessories

Accessories

Corrugated pipe screw connection

Screw connection - WP-G HF IP66 M25 BK - 3240899



Cable gland, metric thread, IP66 protection, straight

---

# Housing - HC-STA-D15-CHWS-1TTM25-EL-AL - 1424361

## Accessories

Screw connection - WP-G HF IP69K M25 BK - 3240885



Cable gland, metric thread, IP68/69k protection, straight

---

Screw connection - WP-GA HF IP66 M25 BK - 3240927



Cable gland, metric thread, IP66 protection, angled

---

Screw connection - WP-GA HF IP69K M25 BK - 3240913



Cable gland, metric thread, IP68/69k protection, angled

---

Screw connection - WP-GR HF IP66 M25 BK - 3240955



Cable gland, metric thread, IP66 protection, with strain relief

---

Screw connection - WP-GR HF IP69K M25 BK - 3240941



Cable gland, metric thread, IP68/69k protection, with strain relief

---

## Housing - HC-STA-D15-CHWS-1TTM25-EL-AL - 1424361

### Accessories

Screw connection - WP-G PP HF M25 - 3240999



Cable gland made from PP with metric thread, IP65 protection

---

Screw connection - WP-GT PP HF M25 - 3241013



Cable gland made from PP with metric thread, rotatable, IP54 protection

---

Screw connection - WP-G BRASS IP40 M25 - 3241048



Cable gland made from brass with metric thread, IP40 protection

---

Screw connection - WP-GT BRASS M25 - 3241034



Cable gland made from brass with metric thread, rotatable, IP40 protection

---

Screw connection - WP-G BRASS IP65 M25 - 3241062



Cable gland made from brass with metric thread, IP65 protection

---

Full screw connection

## Housing - HC-STA-D15-CHWS-1TTM25-EL-AL - 1424361

### Accessories

Cable gland - G-INS-M25-S68N-NNES-S - 1424527



Cable gland, cable gland material: Nickel-plated brass, external cable diameter 10 mm ... 14 mm, shielding: no, connecting thread: M25 x 1.5, color: silver, with O-ring

---

Cable gland - G-INS-M25-M68N-NNES-S - 1411165



Cable gland, cable gland material: Nickel-plated brass, external cable diameter 11 mm ... 17 mm, shielding: no, connecting thread: M25 x 1.5, color: silver, with O-ring

---

Cable gland - G-INSEC-M25-S68N-NCRS-S - 1411190



Cable gland, cable gland material: Nickel-plated brass, external cable diameter 11 mm ... 16 mm, shielding: yes, connecting thread: M25 x 1.5, color: silver, with O-ring

---

Cable gland - G-INS-M25-M68N-SNES-S - 1424544



Cable gland, cable gland material: Stainless steel 1.4305, external cable diameter 11 mm ... 17 mm, shielding: no, connecting thread: M25 x 1.5, color: silver, with O-ring

---

### Module carrier frame

Module carrier frame - HC-M-D15-MF-HB - 1062122

Module carrier frame, size: D15, 0.14 mm<sup>2</sup> ... 2.5 mm<sup>2</sup>, application: Module carrier frame, for size D15 housings



Phoenix Contact 2021 © - all rights reserved  
<http://www.phoenixcontact.com>

PHOENIX CONTACT GmbH & Co. KG  
Flachmarktstr. 8  
32825 Blomberg  
Germany  
Tel. +49 5235 300  
Fax +49 5235 3 41200  
<http://www.phoenixcontact.com>