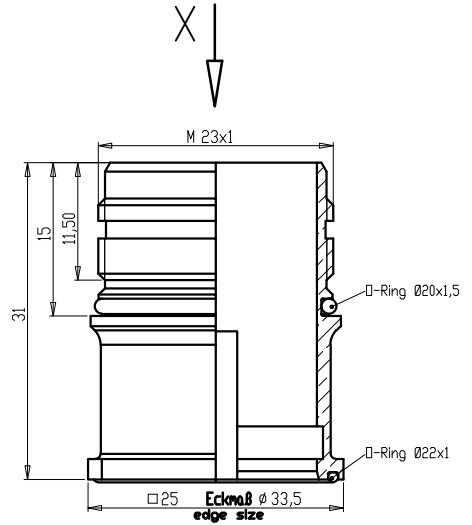
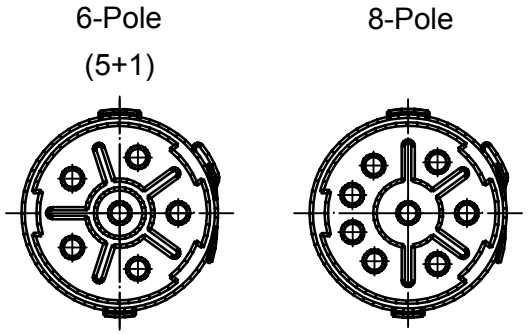
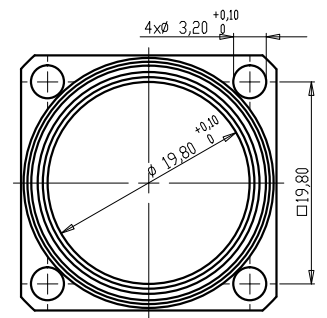


Views from "X" rotated



	Cable Diameter	Crimp Contacts	Without Contacts
6 Pole (5+PE)		KRP6G06-103	KRP6G06-003
		1202340005	1202340006
	Crimp range*	0,75-2,5mm ²	
8 Pole (4+3+PE)		KRP8G06-113	KRP8G06-003
		1202340007	1202340008
	Crimp range*	0,25-1,0mm ² /0,75-2,5mm ²	



*Crimp range only applies to "Crimp Contacts" version

Notes:
Tolerances (unless specified): DIN ISO 2768 m

DESCRIPTION EC NO: IP/G2015-0907 DRWN: BBR/RAUCH 2014/11/19 CHKD: ZISMAYIL 2014/11/19 APPR: CBURGER	QUALITY SYMBOLS	GENERAL TOLERANCES (UNLESS SPECIFIED)		DIMENSION STYLE		SCALE	DESIGN UNITS	THIRD ANGLE PROJECTION	
	▽ = 0	mm	INCH	MM		---	METRIC	REC M23 XP MA STR FM 4 X Ø 3.2MM	
	▽ = 0			DRAWN BY	DATE				
		4 PLACES	±---	±---	BB	2008/11/19			
		3 PLACES	±---	±---	CHECKED BY	DATE			
	2 PLACES	±0.05	±---	JKO	2008/12/09				
	1 PLACE	±0.1	±---	APPROVED BY	DATE				
	0 PLACE	±---	±---	---	---				
	ANGULAR	±	---	MATERIAL NO.	---	DOCUMENT NO.			
	DRAFT WHERE APPLICABLE MUST REMAIN WITHIN DIMENSIONS			see table		SD-120234-002		SHEET NO. 1 OF 1	
2	SIZE	THIS DRAWING CONTAINS INFORMATION THAT IS PROPRIETARY TO MOLEX INCORPORATED AND SHOULD NOT BE USED WITHOUT WRITTEN PERMISSION							
	A3								

