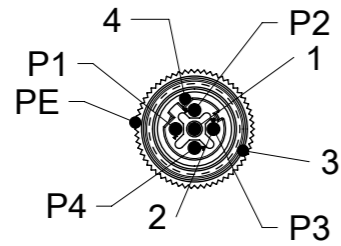


SCALE 1:2

THIS DRAWING CONTAINS INFORMATION THAT IS PROPRIETARY TO MOLEX INCORPORATED AND SHOULD NOT BE USED WITHOUT WRITTEN PERMISSION

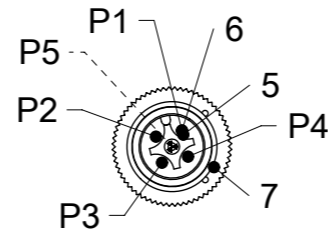
EC DESCRIPTION EC NO: 100512 DRWN: ULETTENMEIER 2015/01/19 CHK'D: RSILLER 2015/06/25 APPR: RSILLER 2015/06/25	QUALITY SYMBOLS ∇ = 0 ∇ = 0 ∇ = 0 ▼ = 0 ∇ = 0 ⊠ = 0 ■ = 0 ▽ = 0	GENERAL TOLERANCES (UNLESS SPECIFIED)		DIMENSION UNITS mm		SCALE 1:1					
		ANGULAR TOL ± °		DRWN BY ULETTENMEIER		DATE 2015/01/19					
		4 PLACES ±		CHK'D BY RSILLER		DATE 2015/06/25		PRODUCT CUSTOMER DRAWING			
		3 PLACES ±		APPR BY RSILLER		DATE 2015/06/25		SERIES 112105		MATERIAL NUMBER SEE TABLE 1	
2 PLACES ±		DRAFT WHERE APPLICABLE MUST REMAIN WITHIN DIMENSIONS		DRAWING SIZE A3		THIRD ANGLE PROJECTION		DOCUMENT NUMBER 1121055006		DOC TYPE PSD	
1 PLACE ± 0.3								DOC PART 000		SHEET NUMBER 1 OF 3	
0 PLACES ± 0.5											

A
ETHERNET:
8x FEMALE M12 4P D-CODE



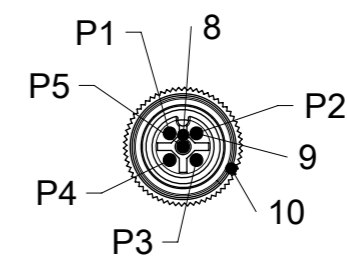
WIRING INFORMATION
P1 TX+
P2 RX+
P3 TX-
P4 RX-

B
POWER INPUT
1x MALE M12 5PIN A-CODE



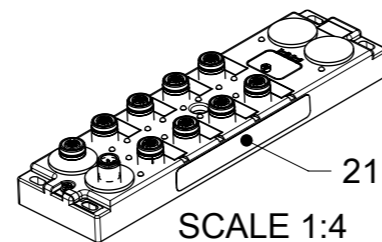
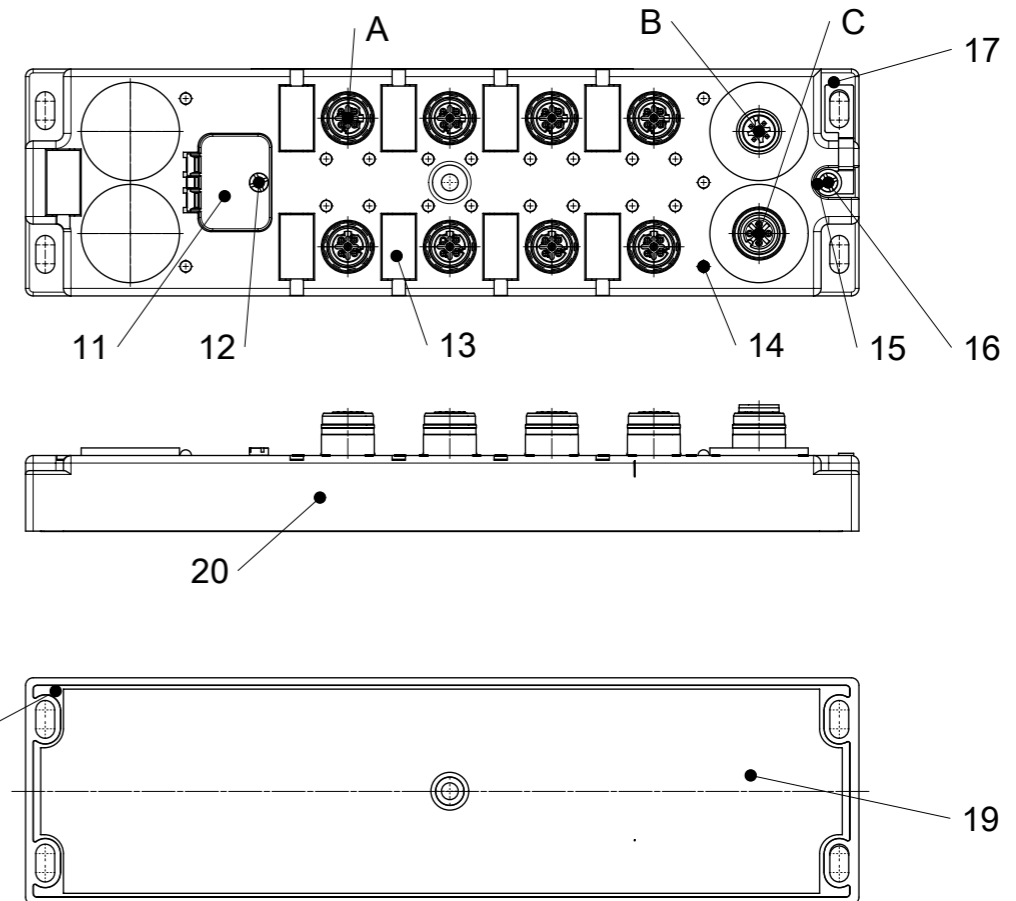
WIRING INFORMATION
P1 - +24 VDC1
P2 - +24 VDC2
P3 - 0V
P4 - 0V
P5 - PE (Protected Earth)

C
POWER OUTPUT
1x FEMALE M12 5PIN A-CODE

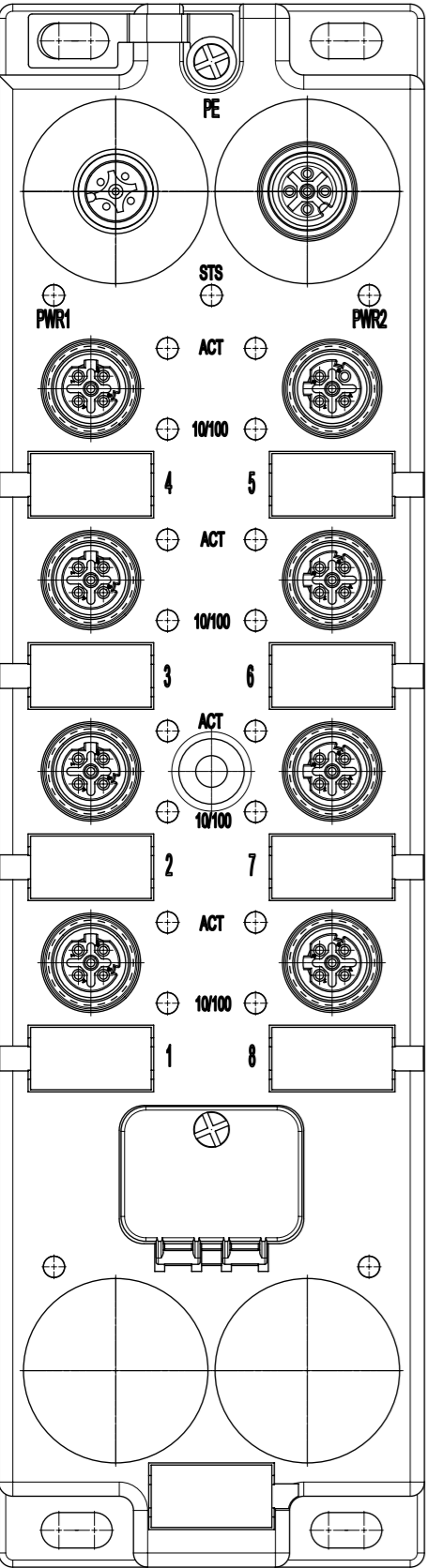


BILL OF MATERIAL

ITEM	DESCRIPTION	MATERIAL	FINISH
1	INSERT	TPU	BLACK
2	CONTACT	COPPER ALLOY	GOLD OVERNICKEL
3	SHELL	BRASS	NICKEL PLATET
4	GASKET	FPM	RED
5	INSERT	TPU	BLACK
6	CONTACT	COPPER ALLOY	GOLD OVERNICKEL
7	SHELL	BRASS	NICKEL PLATET
8	INSERT	TPU	BLACK
9	CONTACT	COPPER ALLOY	GOLD OVER NICKEL
10	SHELL	BRASS	NICKEL PLATET
11	WINDOW	PC	BLACK
12	SCREW	V2A	V2A
13	LABEL	PC	WHITE
14	FIBER OPTIC	PA	TRANSPARENT
15	WASHER	BRASS	NICKEL PLATET
16	SCREW	V2A	V2A
17	SHIELD PLATE	STAINLESS STEEL	STAINLESS STEEL
18	RESIN	EPOXY	TRANSPARENT
19	LABEL	PVC	WHITE
20	HOUSING	PBT	BLACK
21	LABEL	PVC	YELLOW



THIS DRAWING CONTAINS INFORMATION THAT IS PROPRIETARY TO MOLEX INCORPORATED AND SHOULD NOT BE USED WITHOUT WRITTEN PERMISSION									
EC DESCRIPTION EC NO: 100512 DRWN: ULETTENMEIER 2015/01/19 CHK'D: RSILLER 2015/06/25 APPR: RSILLER 2015/06/25	QUALITY SYMBOLS	GENERAL TOLERANCES (UNLESS SPECIFIED)	DIMENSION UNITS	SCALE	 DBO ETH SW 60 MM U12 5P AC MA M12 5P AC FE U12 4P 8PT DC FE				
	▽ = 0	ANGULAR TOL ± °	mm	1:2					
	∇ = 0	4 PLACES ±	DRWN BY	DATE					
	∇ = 0	3 PLACES ±	ULETTENMEIER	2015/01/19					
▽ = 0	2 PLACES ±	CHK'D BY	DATE	PRODUCT CUSTOMER DRAWING					
▽ = 0	1 PLACE ± 0.3	APPR BY	DATE	SERIES	MATERIAL NUMBER	CUSTOMER			
∇ = 0	0 PLACES ± 0.5	RSILLER	2015/06/25	112105	SEE TABLE 1	GENERAL MARKET			
∇ = 0	DRAFT WHERE APPLICABLE MUST REMAIN WITHIN DIMENSIONS	DRAWING SIZE	THIRD ANGLE PROJECTION	DOCUMENT NUMBER		DOC TYPE	DOC PART	SHEET NUMBER	
A		A3		1121055006		PSD	000	2 OF 3	



PRINTING

TABLE 1 PRINTING					
POWER TYPE	INPUT / OUTPUT		ENG.NO.	MOLEX P/N	3D MODEL NO.
M12 5 POLE	N/A	N/A	DRL-782	1121055006	1121055006 (PDM)

THIS DRAWING CONTAINS INFORMATION THAT IS PROPRIETARY TO MOLEX INCORPORATED AND SHOULD NOT BE USED WITHOUT WRITTEN PERMISSION										
EC DESCRIPTION EC NO: 100512 DRWN: ULETTENMEIER 2015/01/19 CHK'D: RSILLER 2015/06/25 APPR: RSILLER 2015/06/25	QUALITY SYMBOLS ▽ = 0 ▽ = 0 ▽ = 0 ▼ = 0 ▽ = 0 ☒ = 0 ■ = 0 ▽ = 0	GENERAL TOLERANCES (UNLESS SPECIFIED)		DIMENSION UNITS	SCALE					
		ANGULAR TOL ± °		mm	1:1					
		4 PLACES ±	DRWN BY		DATE		DBO ETH SW 60 MM U12 5P AC MA M12 5P AC FE U12 4P 8PT DC FE			
		3 PLACES ±	ULETTENMEIER		2015/01/19					
		2 PLACES ±	CHK'D BY		DATE		PRODUCT CUSTOMER DRAWING			
1 PLACE ± 0.3	RSILLER		2015/06/25							
0 PLACES ± 0.5	DRAFT WHERE APPLICABLE MUST REMAIN WITHIN DIMENSIONS		DRAWING SIZE	THIRD ANGLE PROJECTION	SERIES	MATERIAL NUMBER	CUSTOMER			
			A3		112105	SEE TABLE 1	GENERAL MARKET			
					DOCUMENT NUMBER	DOC TYPE	DOC PART	SHEET NUMBER		
					1121055006	PSD	000	3 OF 3		