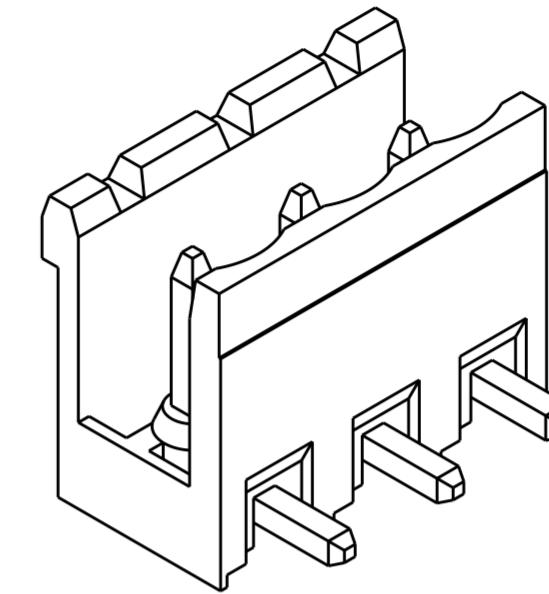
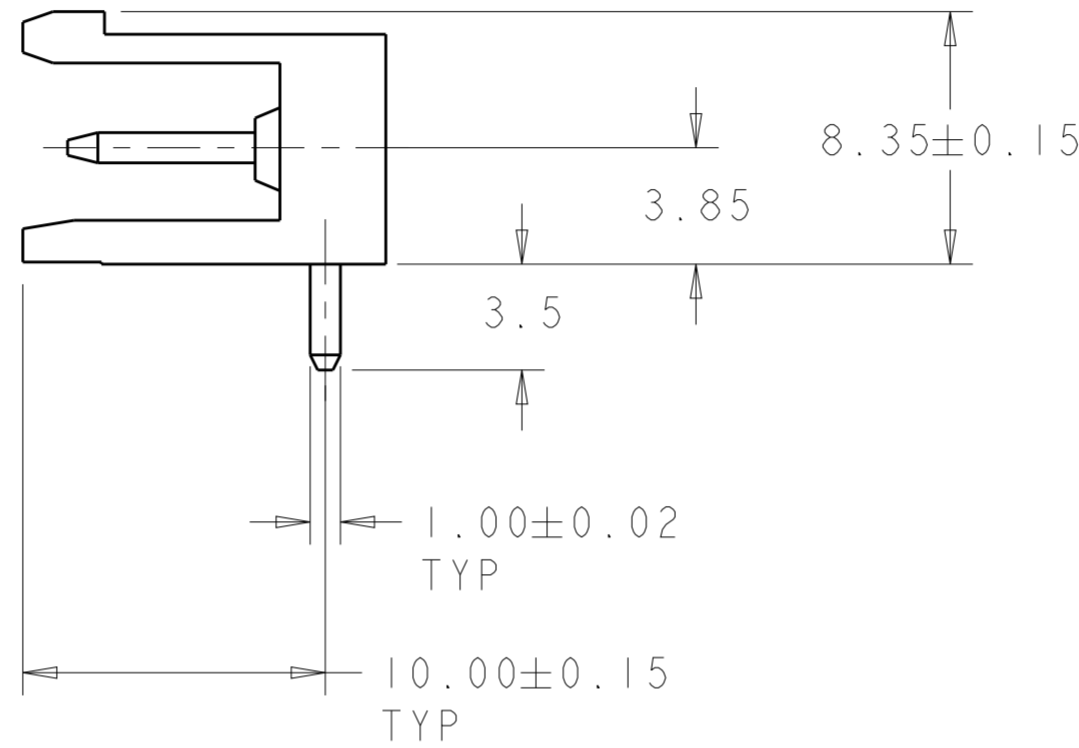
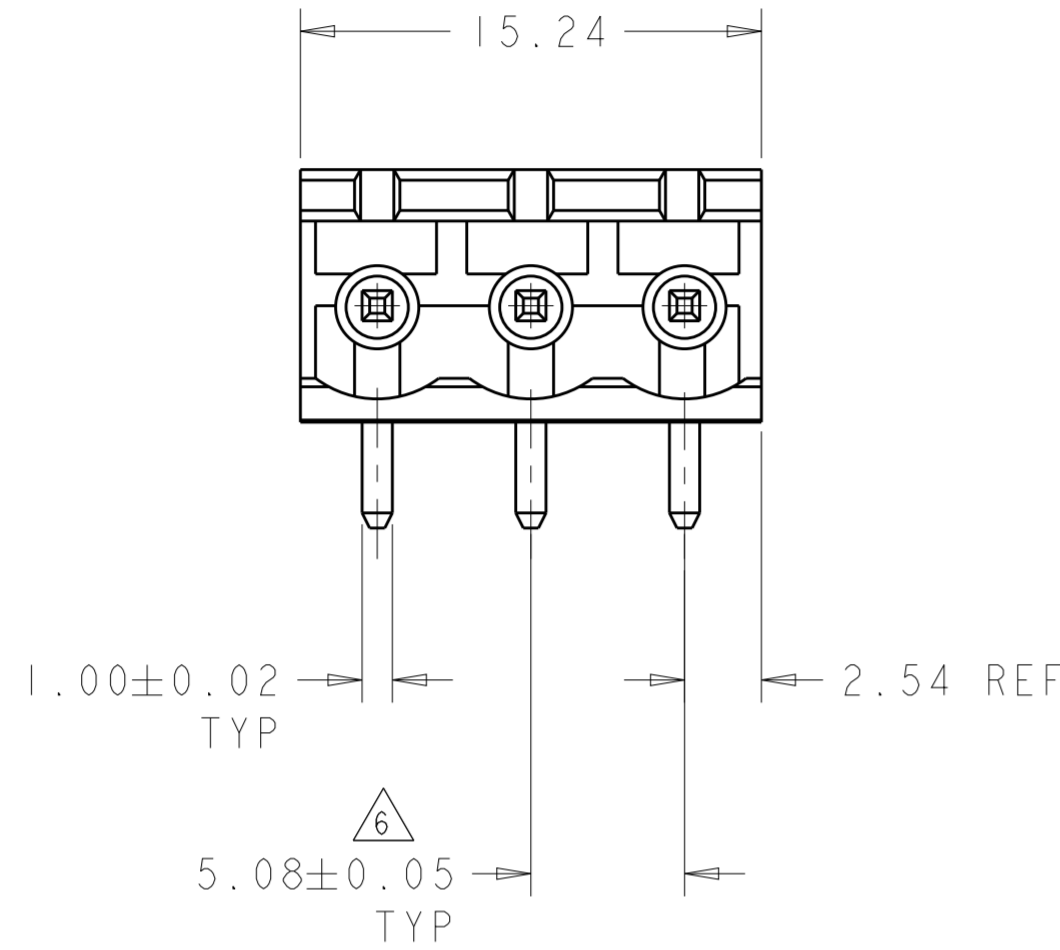
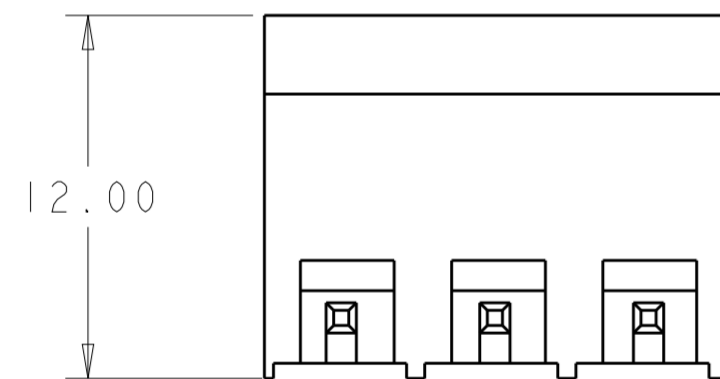


THIS DRAWING IS UNPUBLISHED. RELEASED FOR PUBLICATION 20
 © COPYRIGHT 20 BY - ALL RIGHTS RESERVED.

REVISIONS				
P	LTR	DESCRIPTION	DATE	APVD
	A2	PART STATUS UPDATED	23JAN2018	RK PS



1546110-3 AS SHOWN

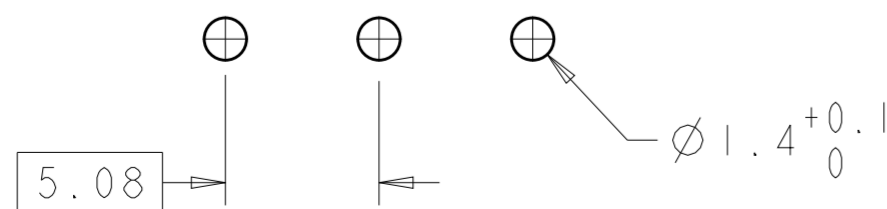


- 1. MATERIALS AND FINISH
 HOUSING: PA 6-6, UL 94-V0, COLOR: GRAY.
 TERMINAL: COPPER ALLOY, TIN PLATED.
- 2. SUITABLE FOR 1,6-2,4mm PC BOARD THICKNESS.
- 3. END-TO-END STACKABLE WITHOUT LOSS OF CENTERLINE SPACING.
- 4. RECOGNIZED UNDER THE COMPONENT PROGRAM OF UNDERWRITERS LABORATORIES INC. FILE N° E60677.
- 5. IMQ CERTIFICATE WITH SURVEILLANCE IN CONFORMITY WITH IEC 998-1/998-2-1.

6. NOT CUMULATIVE TOLERANCE.

7. BUCHANAN LOGO TO APPEAR ON HOUSING, LOCATION OPTIONAL WHERE SPACE PERMITS.

OBSOLETE	127.00	25	2-1546110-5
	121.92	24	2-1546110-4
	116.84	23	2-1546110-3
	111.76	22	2-1546110-2
	106.68	21	2-1546110-1
	101.60	20	2-1546110-0
	96.52	19	1-1546110-9
	91.44	18	1-1546110-8
	86.36	17	1-1546110-7
	81.28	16	1-1546110-6
OBSOLETE	76.20	15	1-1546110-5
	71.12	14	1-1546110-4
	66.04	13	1-1546110-3
	60.96	12	1-1546110-2
	55.88	11	1-1546110-1
	50.80	10	1-1546110-0
	45.72	9	1546110-9
	40.64	8	1546110-8
	35.56	7	1546110-7
	30.48	6	1546110-6
OBSOLETE	25.40	5	1546110-5
	20.32	4	1546110-4
	15.24	3	1546110-3
	10.16	2	1546110-2
	L	NO OF POSN	PART NUMBER



RECOMMENDED PC BOARD LAYOUT

THIS DRAWING IS A CONTROLLED DOCUMENT.		DWN S. WELDON 11SEP2002	TE Connectivity	
DIMENSIONS: mm		CHK C. RICHARD 11SEP2002		
TOLERANCES UNLESS OTHERWISE SPECIFIED:		APVD C. RICHARD 11SEP2002	NAME	
0 PLC ±-	1 PLC ±.2	PRODUCT SPEC	TERMINAL BLOCK HEADER ASSEMBLY	
2 PLC ±.25	3 PLC ±-	108-20166	90 DEGREE, OPEN ENDS, STACKING	
4 PLC ±-	ANGLES ±-	114-20079	5.08mm PITCH	
MATERIAL	FINISH	WEIGHT	SIZE	RESTRICTED TO
			A2 00779	
CUSTOMER DRAWING			SCALE 4:1	SHEET 1 OF 1