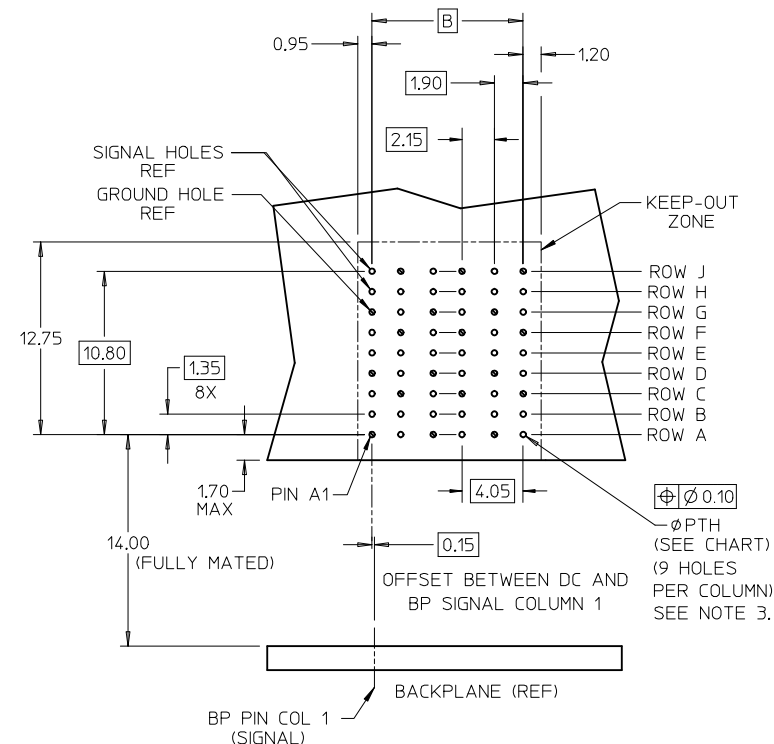
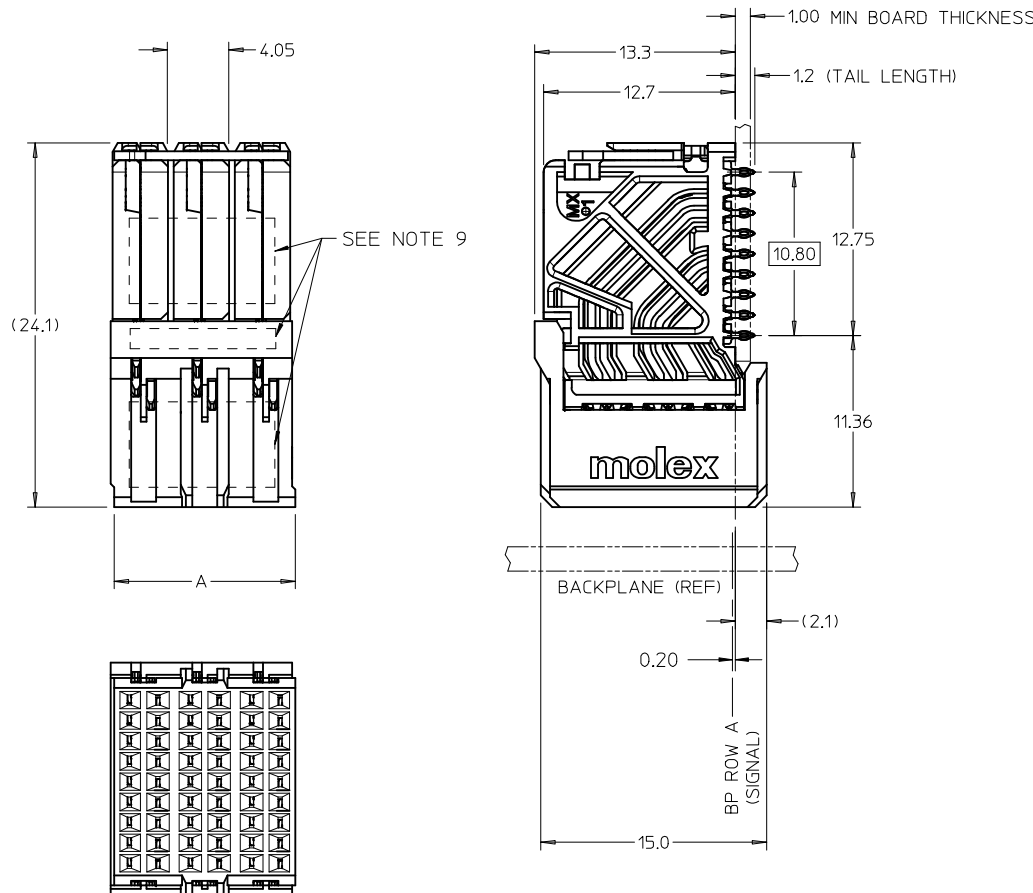
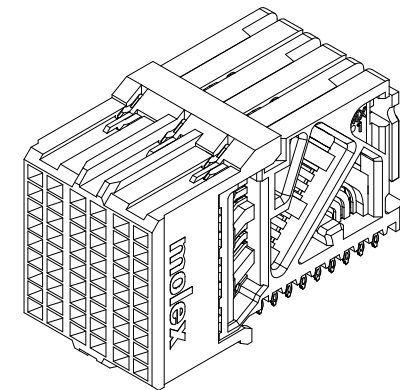


| MATERIAL NUMBER | # OF COLUMNS | # OF DIFF PAIR | DIM "A" MAX | DIM "B" | PTH ϕ |
|-----------------|--------------|----------------|-------------|---------|-----------------|
| 76860-1006 | 6 | 18 | 12.15 | 10.00 | 0.46 \pm 0.05 |
| 76860-1036 | 6 | 18 | 12.15 | 10.00 | 0.39 \pm 0.05 |
| 76860-1008 | 8 | 24 | 16.20 | 14.05 | 0.46 \pm 0.05 |
| 76860-1038 | 8 | 24 | 16.20 | 14.05 | 0.39 \pm 0.05 |

76860-***0****

MODULE & TAIL PLATING TYPE
1 = UNGUIDED, LEAD-FREE

OF COLUMNS
06 = 6 COL 0.46 PTH
36 = 6 COL 0.39 PTH
08 = 8 COL 0.46 PTH
38 = 8 COL 0.39 PTH



DAUGHTERCARD HOLE PATTERN
(CONNECTOR SIDE)

NOTES:

1. MATERIALS: HOUSING - LIQUID CRYSTAL POLYMER (LCP), GLASS-FILLED, UL94V-0
TERMINALS - HIGH PERFORMANCE COPPER ALLOY
2. FINISH: 30 μ IN MIN GOLD IN CONTACT AREA. SELECTIVE TIN ON PCB TAILS. NICKEL OVERALL.
3. REFER TO MOLEX PRODUCT SPEC PS-76060-999 FOR PERFORMANCE SPECIFICATIONS AND ADDITIONAL PCB INFORMATION.
4. EACH SIGNAL WAFER CONTAINS 2 COLUMNS OF TERMINALS.
5. PRODUCT IS PACKAGED PER PK-70873-591.
6. THIS PART CONFORMS TO CLASS B REQUIREMENTS OF COSMETIC SPEC PS-45499-002.
7. REFER TO MOLEX SALES DRAWING SD-76855-001 FOR THE MATING HEADERS.
8. REFER TO MOLEX ROUTING GUIDE AS-76850-990 FOR ADDITIONAL PCB LAYOUT AND ROUTING RECOMMENDATIONS.
9. MARKING: LOCATED APPROXIMATELY AS SHOWN. PART NUMBER AND DATE CODE.

| | | | | | | | | |
|---|--------------------------------------|---|------|--|----------------------------|---|-------------------------------|--|
| ADD LASER MARK INFO EC NO: UCP2016-3973 DRWNO:VARVARA 2015/07/29 CHKD:TELO 2016/02/22 APPR:TELO 2016/04/20 | QUALITY SYMBOLS ▽=0 ▽=0 | GENERAL TOLERANCES (UNLESS SPECIFIED) | | DIMENSION STYLE MM ONLY | SCALE 4:1 | DESIGN UNITS METRIC | THIRD ANGLE PROJECTION | |
| | | mm | INCH | DRAWN BY JLAURX | DATE 5/5/09 | IMPACT DAUGHTERCARD 3 PAIR ORTHOGONAL UNGUIDED SALES DRAWING | | |
| | | 4 PLACES \pm --- \pm --- 3 PLACES \pm --- \pm --- 2 PLACES \pm 0.15 \pm --- 1 PLACE \pm 0.25 \pm --- | | CHECKED BY TELO | DATE 2010/01/13 | | | |
| | | ANGULAR \pm 1/2° | | APPROVED BY JB INGHAM | DATE 2010/01/14 | MOLEX MOLEX INCORPORATED | | |
| DRAFT WHERE APPLICABLE MUST REMAIN WITHIN DIMENSIONS | | SEE CHART | | MATERIAL NO. SD-76860-001 | DOCUMENT NO. | SHEET NO. 1 OF 1 | | |
| THIS DRAWING CONTAINS INFORMATION THAT IS PROPRIETARY TO MOLEX INCORPORATED AND SHOULD NOT BE USED WITHOUT WRITTEN PERMISSION | | | | | | | | |