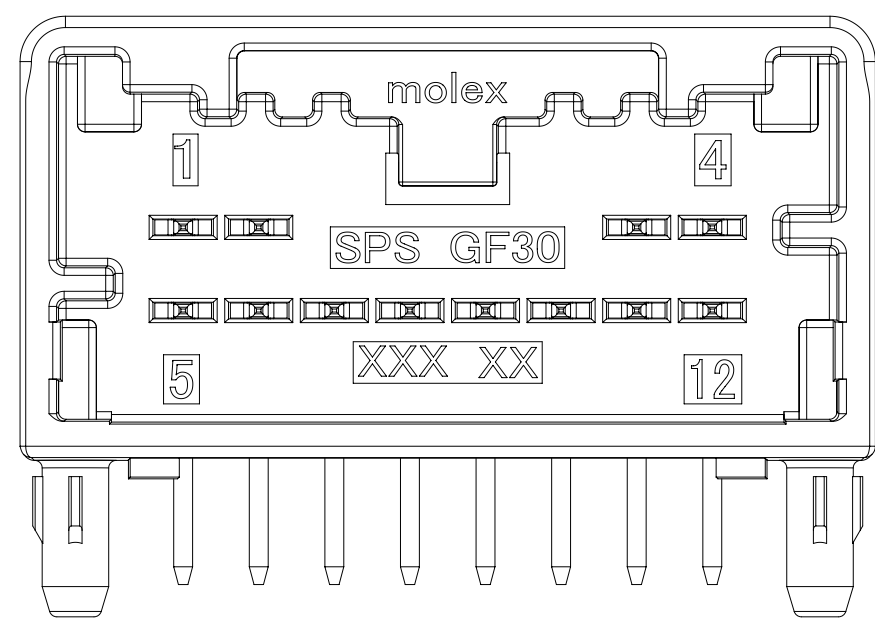
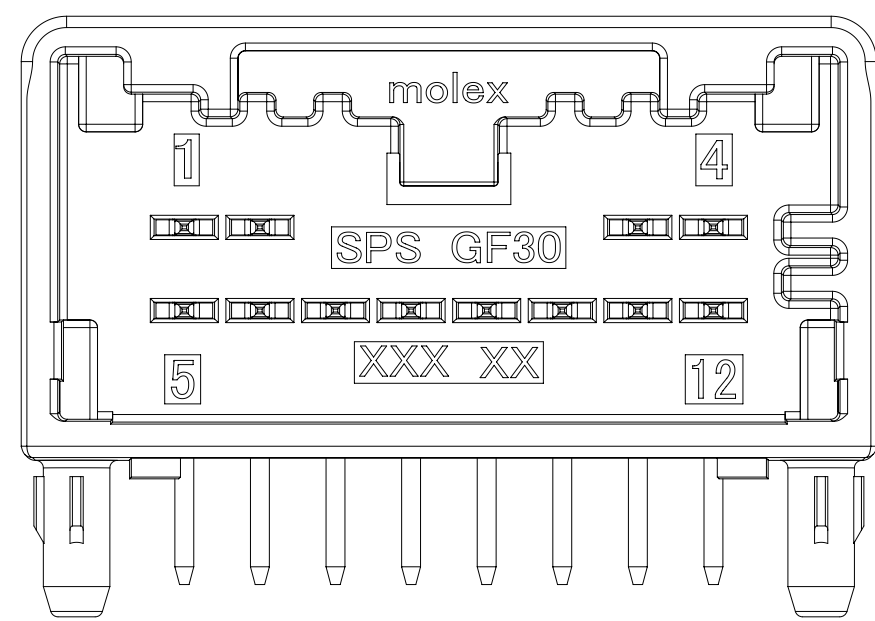


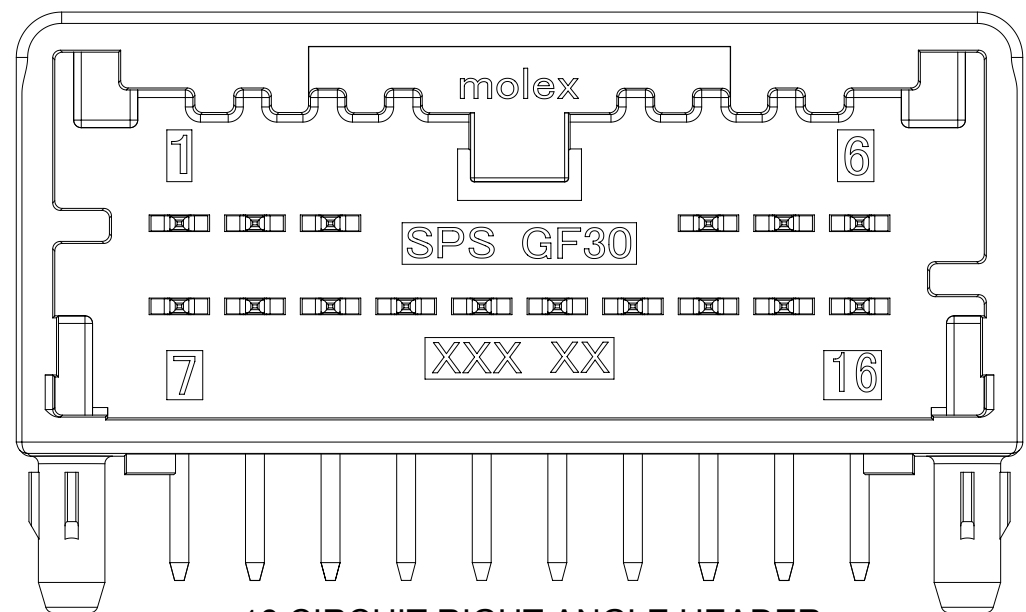
12 CIRCUIT RIGHT ANGLE USCAR HEADER
POLARIZATION OPTION A



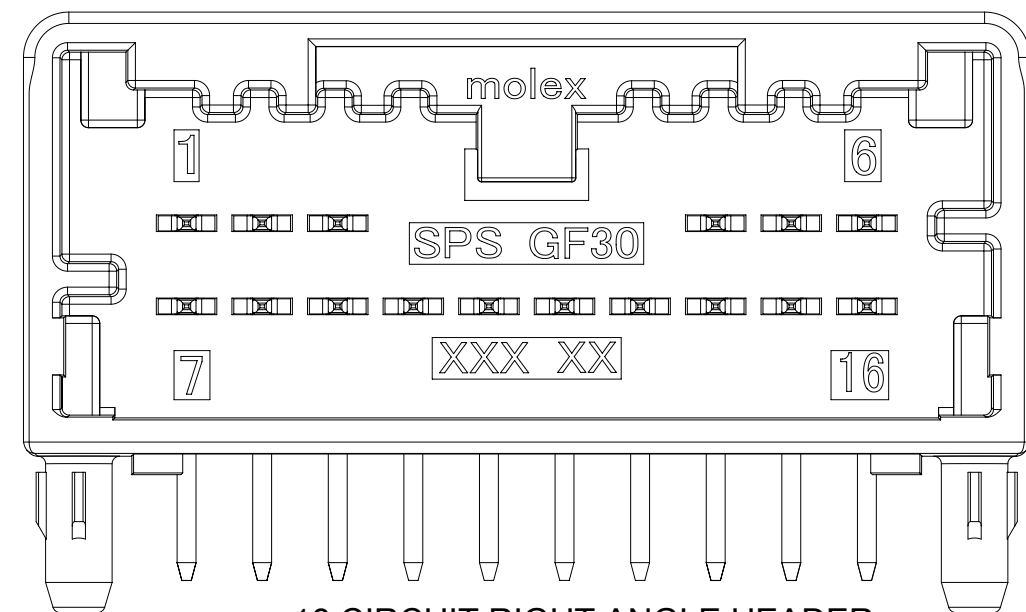
12 CIRCUIT RIGHT ANGLE USCAR HEADER
POLARIZATION OPTION B



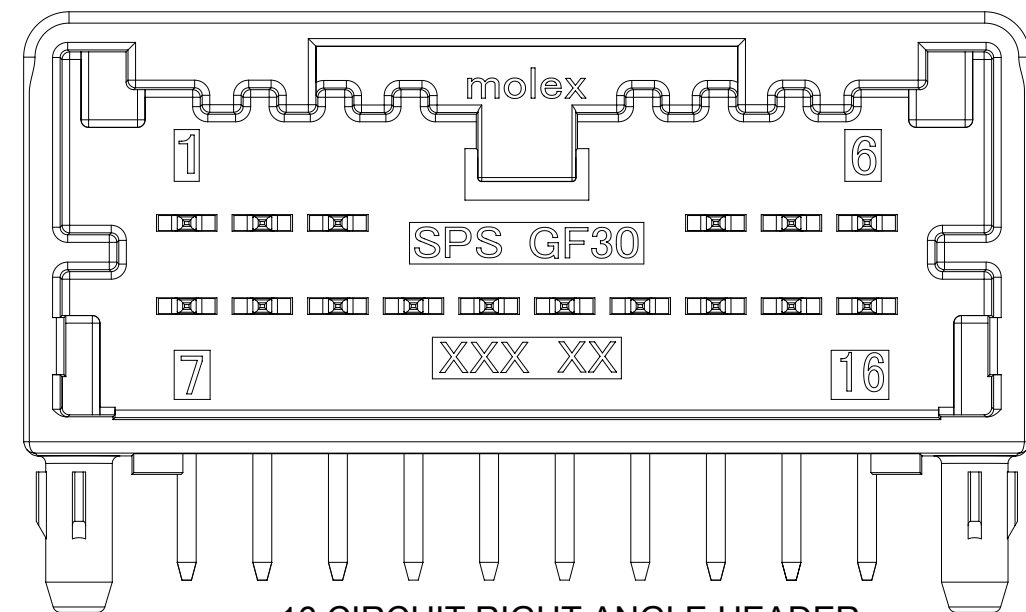
12 CIRCUIT RIGHT ANGLE USCAR HEADER
POLARIZATION OPTION C



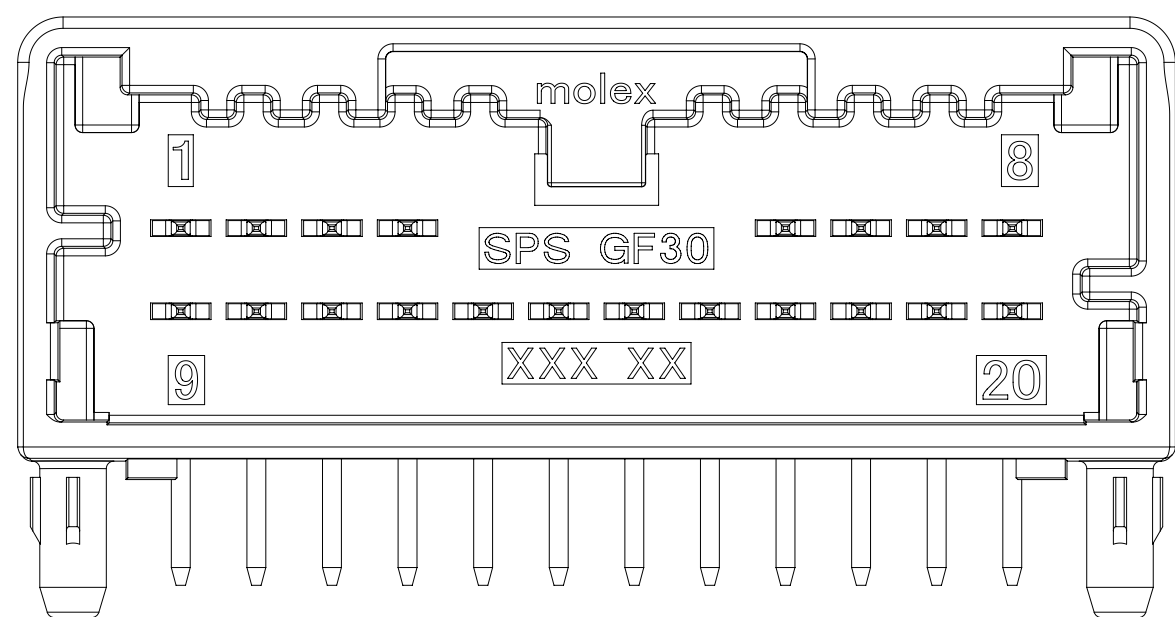
16 CIRCUIT RIGHT ANGLE HEADER
POLARIZATION OPTION A



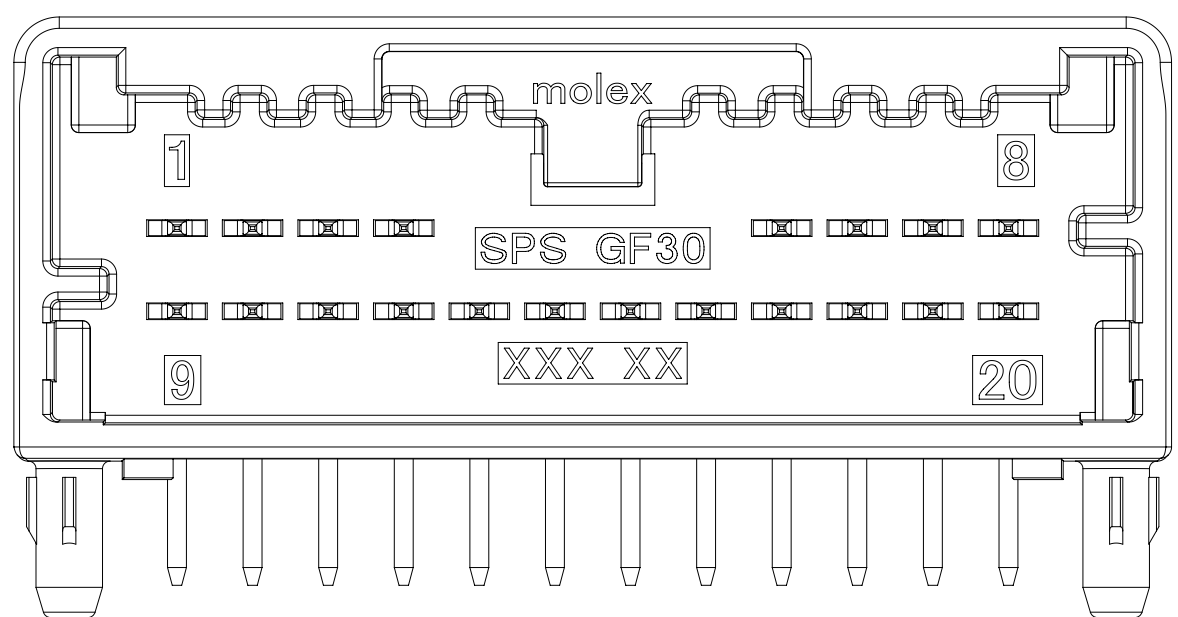
16 CIRCUIT RIGHT ANGLE HEADER
POLARIZATION OPTION B



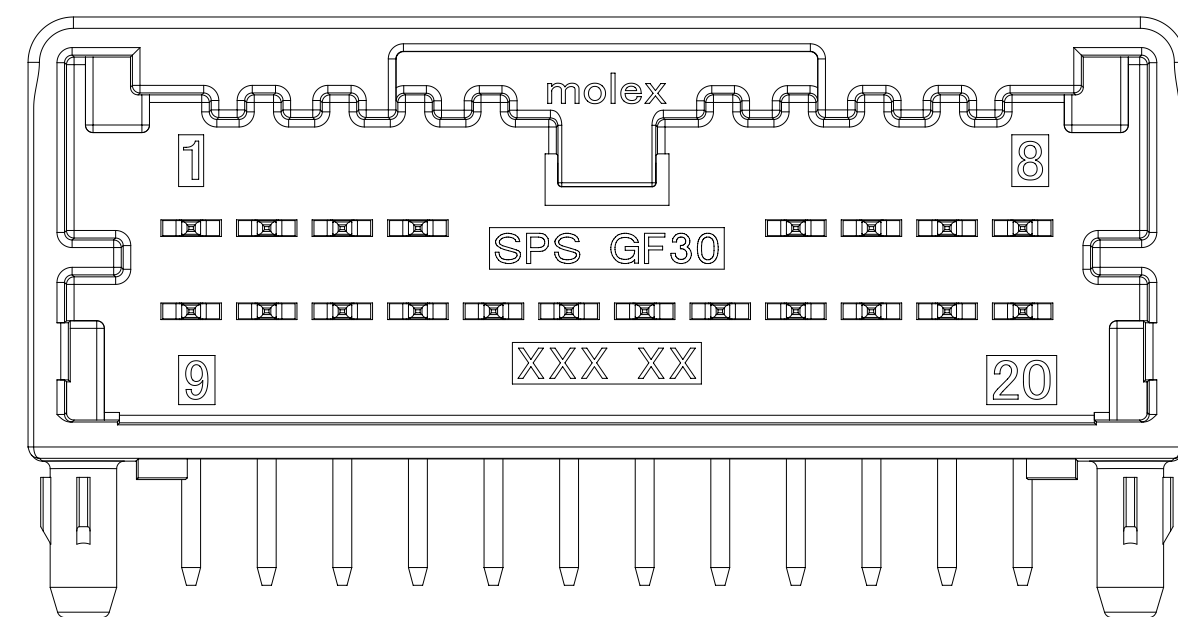
16 CIRCUIT RIGHT ANGLE HEADER
POLARIZATION OPTION C



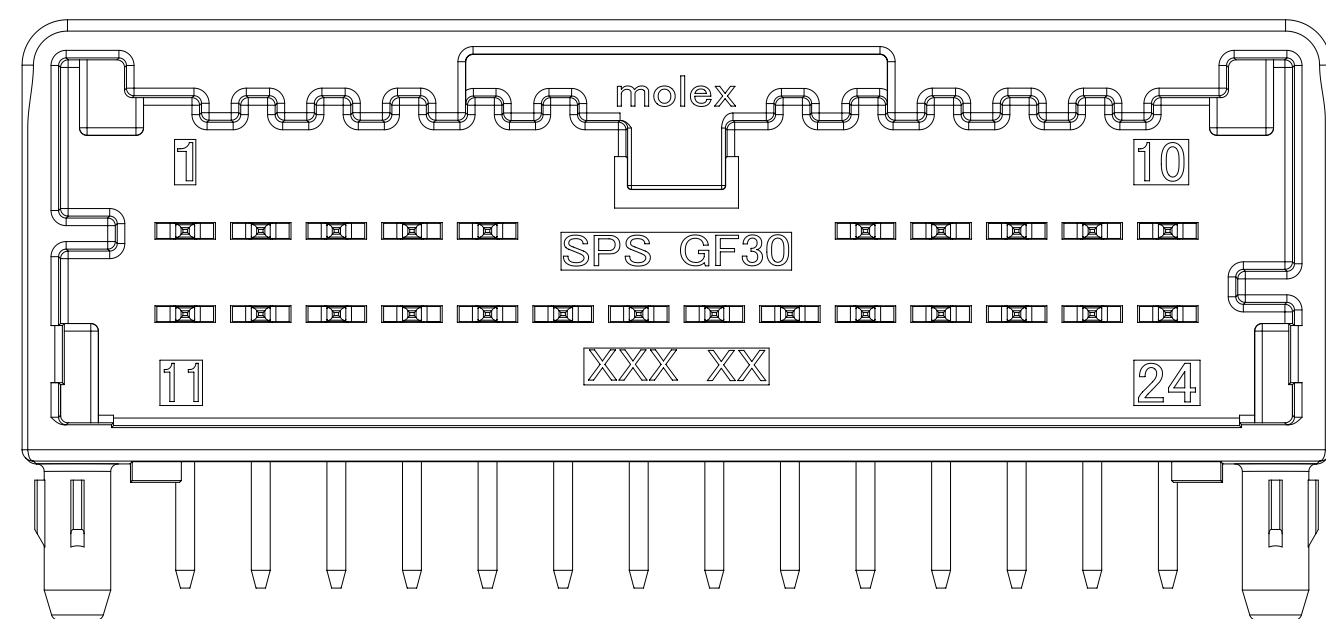
20 CIRCUIT RIGHT ANGLE HEADER
POLARIZATION OPTION A



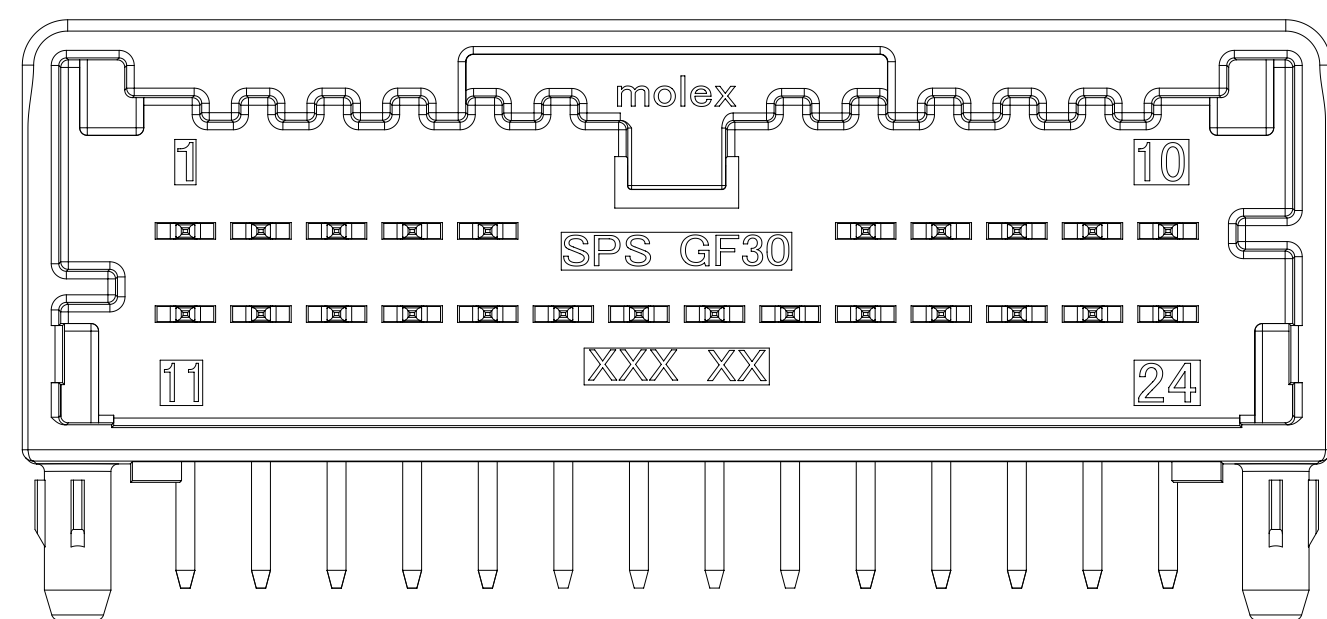
20 CIRCUIT RIGHT ANGLE HEADER
POLARIZATION OPTION B



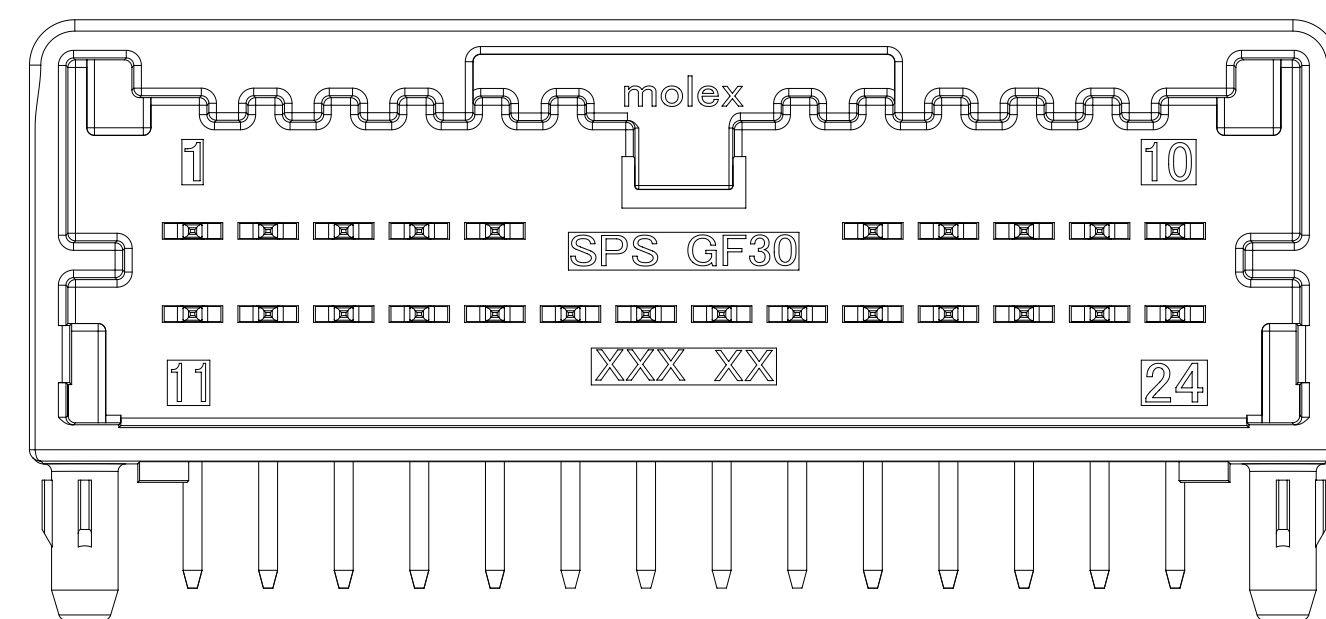
20 CIRCUIT RIGHT ANGLE HEADER
POLARIZATION OPTION C



24 CIRCUIT RIGHT ANGLE HEADER
POLARIZATION OPTION A



24 CIRCUIT RIGHT ANGLE HEADER
POLARIZATION OPTION B



24 CIRCUIT RIGHT ANGLE HEADER
POLARIZATION OPTION C

NOTES: VALID UNLESS OTHERWISE SPECIFIED

1. GENERAL:
 - a. APPLICATION SPECIFICATION SEE: AS-34791-020
 - b. PRODUCT SPECIFICATION SEE: PS-34791-020
 - c. PACKAGING SPECIFICATION PER MOLEX DRAWING: SEE CHART
 - d. SOLDERABILITY PER SMES-152
 - e. PARTS MUST BE IN COMPLIANCE TO MOLEX CHEMICAL SUBSTANCES FOR PRODUCTS AND PACKAGING SPECIFICATION: QEHS-699000-300
 - f. DATA MUST BE SUBMITTED UNDER THE MOLEX PART NUMBER TO IMDS (COMPANY ID#13255)
 - g. FLAMMABILITY REQUIREMENT: PER ISO3795 OR GM3191
 - h. VISUAL DEFECTS SHALL MEET COSMETIC STANDARD PS-45499-002 (Class B)

2. DESIGN - MATERIALS:
 - a. SHROUD (PLASTIC HOUSING): SPS 30% GF, 20% REGRIND MAX PER WEIGHT
 - b. BLADES:
 - BASE METAL: C260 BRASS
 - PLATING REQUIREMENTS:
 - TIN OVER NICKEL:
 - UNDERPLATING:
 - OVERALL NICKEL
 - OVERPLATING:
 - OVERALL TIN

3. DESIGN - GEOMETRY:
 - a. THIS IS A 100% CAD GENERATED PART. THE CAD MATHEMATICAL DATA IS THE MASTER FOR THIS PART. FOR DIMENSIONAL OR ANY INFORMATION NOT SHOWN ON THIS DRAWING, ANALYZE THE CAD MODEL.
 - b. GEOMETRIC DIMENSIONS AND TOLERANCES PER ASME Y14.5M - 2009
 - c. GENERAL TOLERANCES: SEE TITLE BLOCK
 - d. EDGES AND UNDIMENSIONED DETAILS PER ISO13715
 - e. CORNERS SHOWN AS SHARP TO BE R 0.1 MAX
 - f. LETTERING SHALL BE 0.10 MAX RAISED. THIS INCLUDES RECYCLING CODE, PLANT AND CAVITY ID, VENDOR ID, AND CIRCUIT ID.

INSPECTION BALLON NUMBER LOG
PER DRAWING REVISION: G4

LAST BALLOON USED: 20

ADDED BALLOON NUMBERS: 19, 20

REMOVED BALLOON NUMBERS: 1, 2, 3, 4, 5

REV	DESCRIPTION
G5	UPDATED VIEWS TO MATCH CURRENT PRODUCTION. DIMS AND GEOMETRY DID NOT CHANGE
G4	ADDED PART NUMBERS: 34826-016X/816X/916X 34826-020X/820X/920X ADDED DIM D
G3	ADDED NOTE AND PIN TP
G2	UPDATED PBT PART NUMBERS
G1	NX REMASTERING

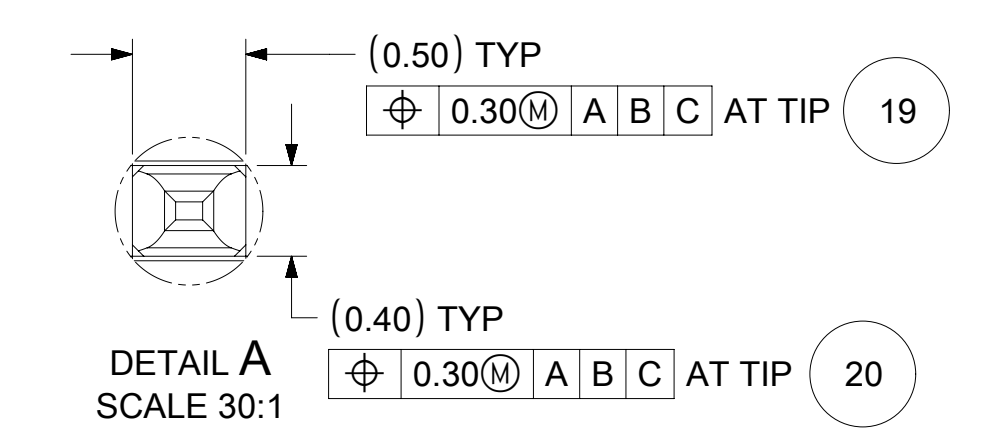
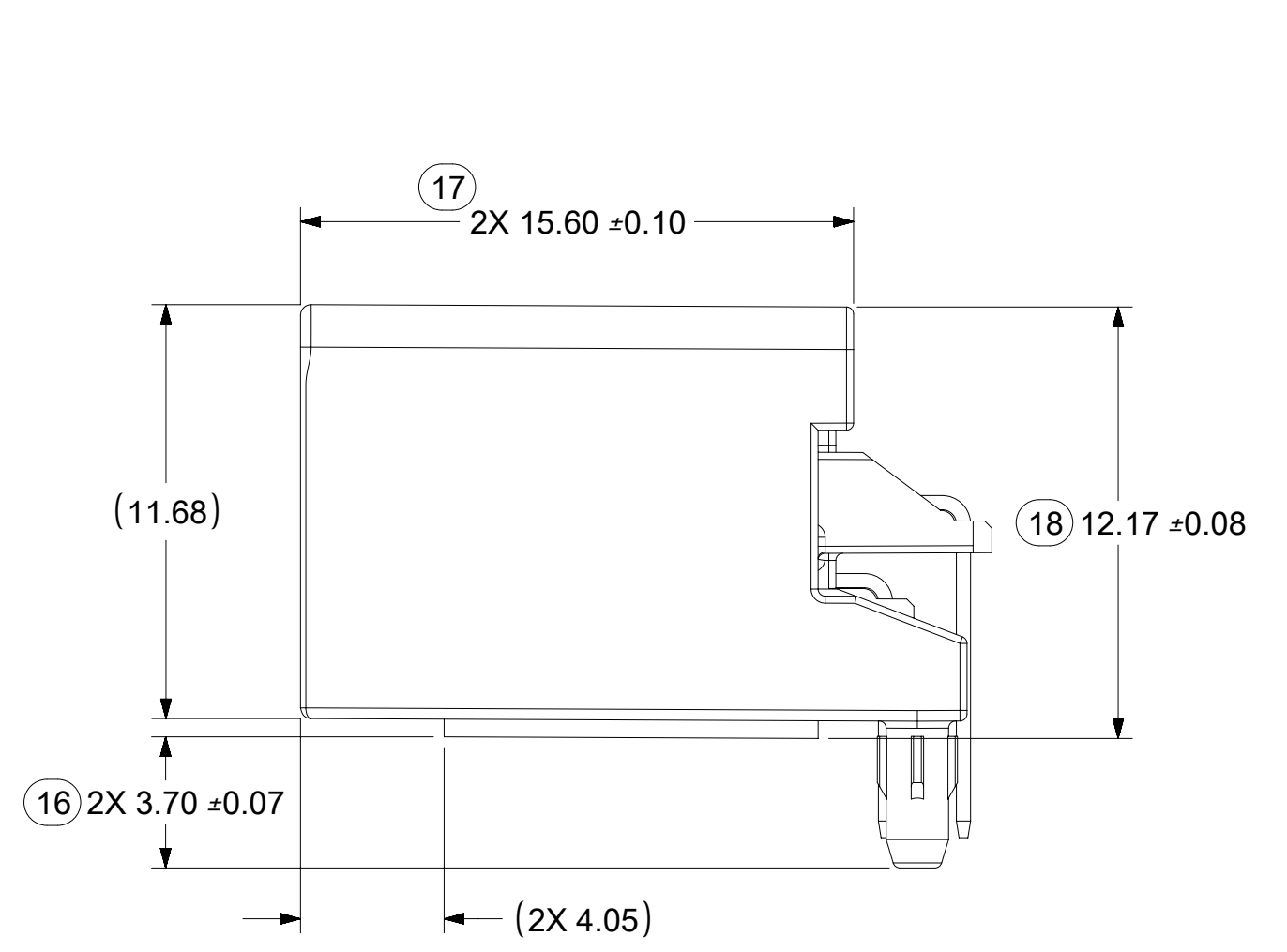
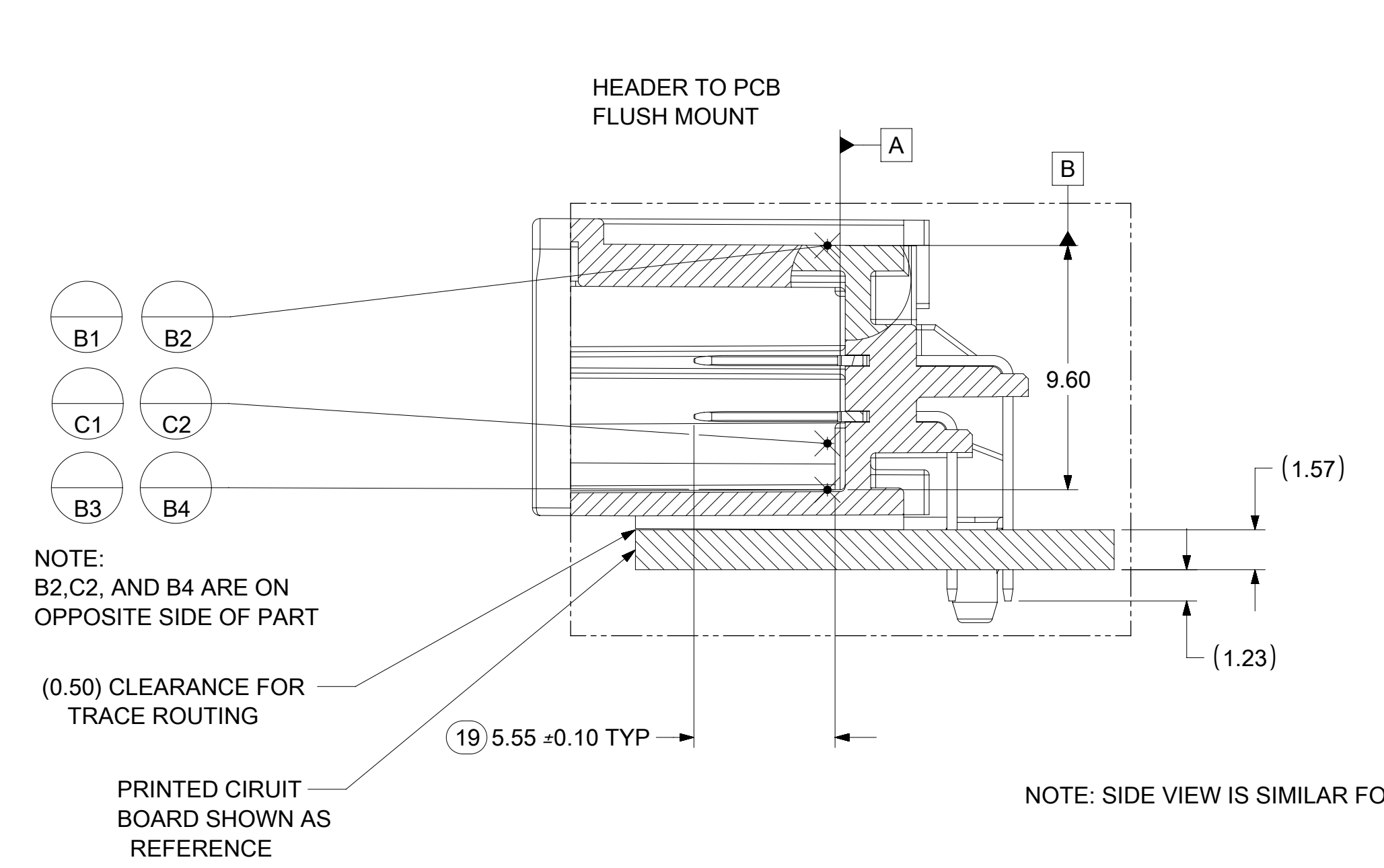
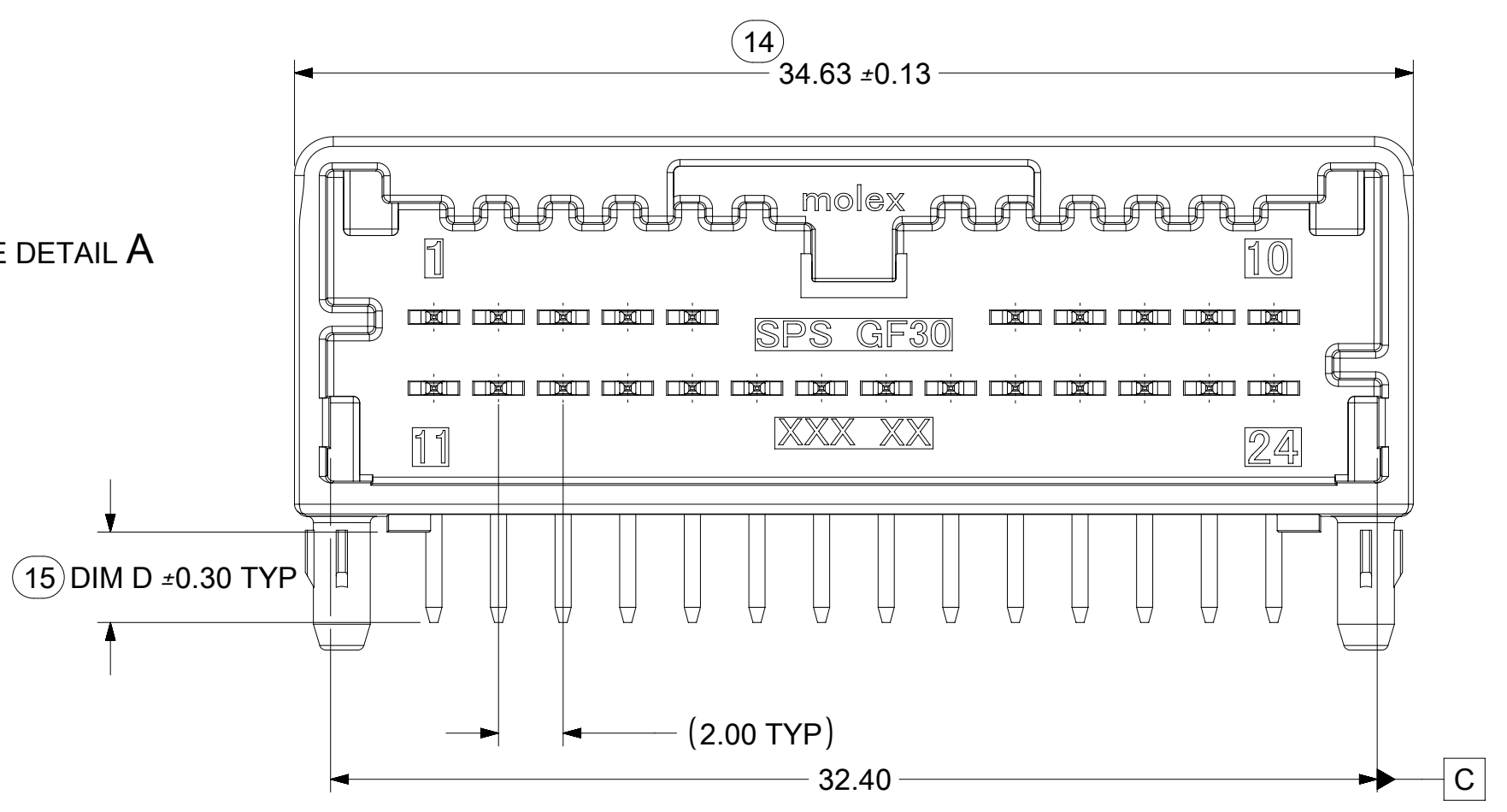
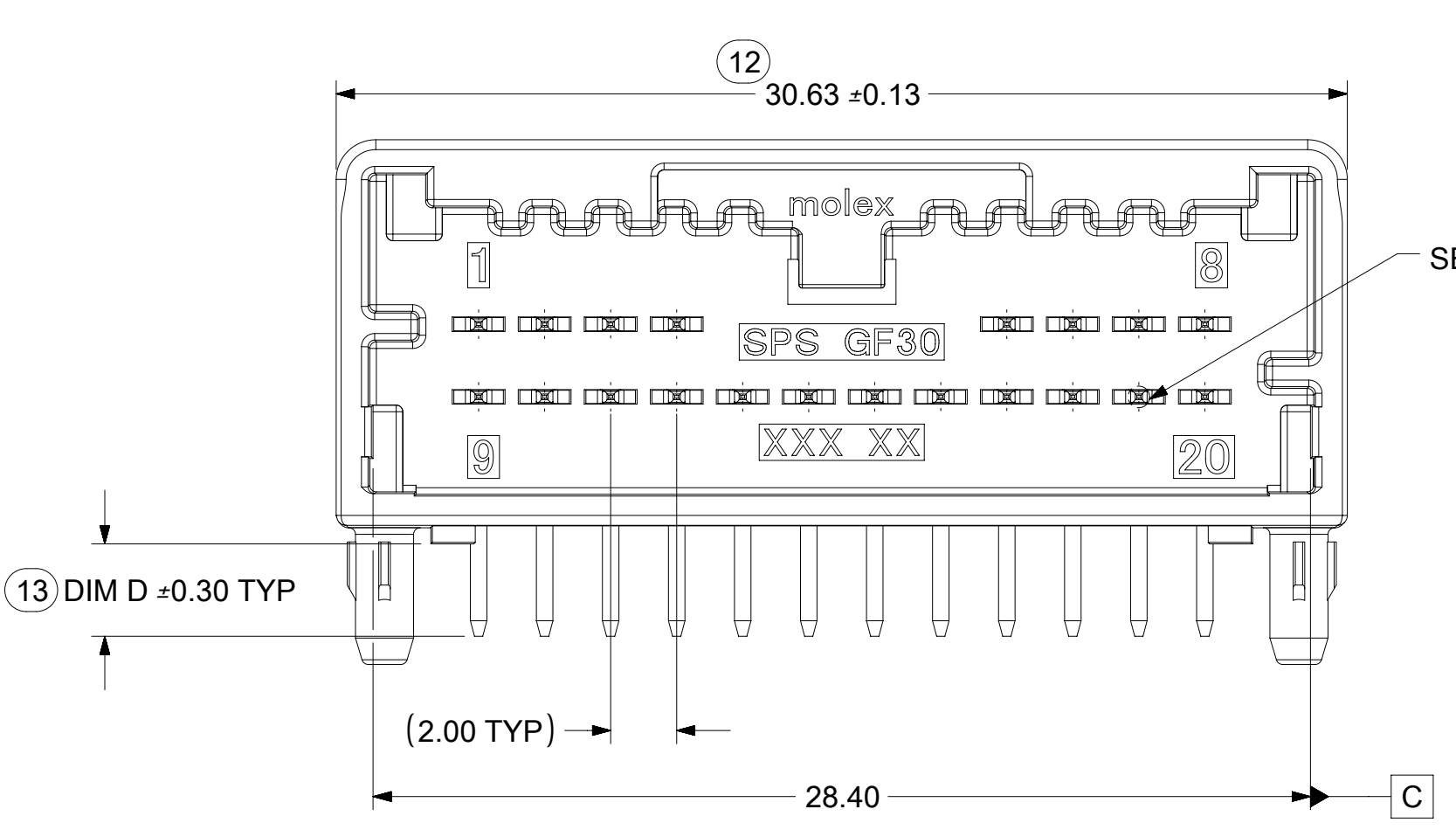
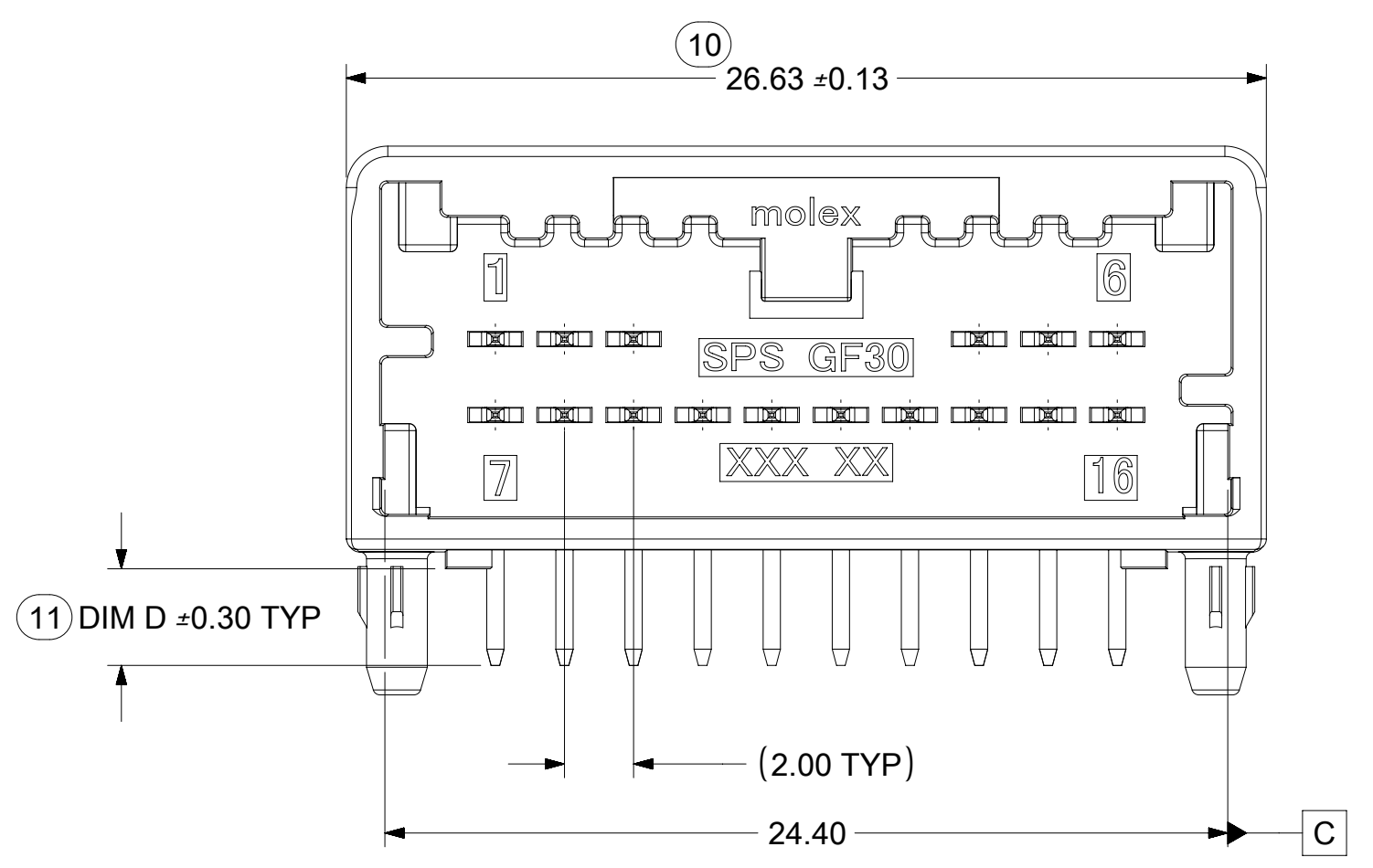
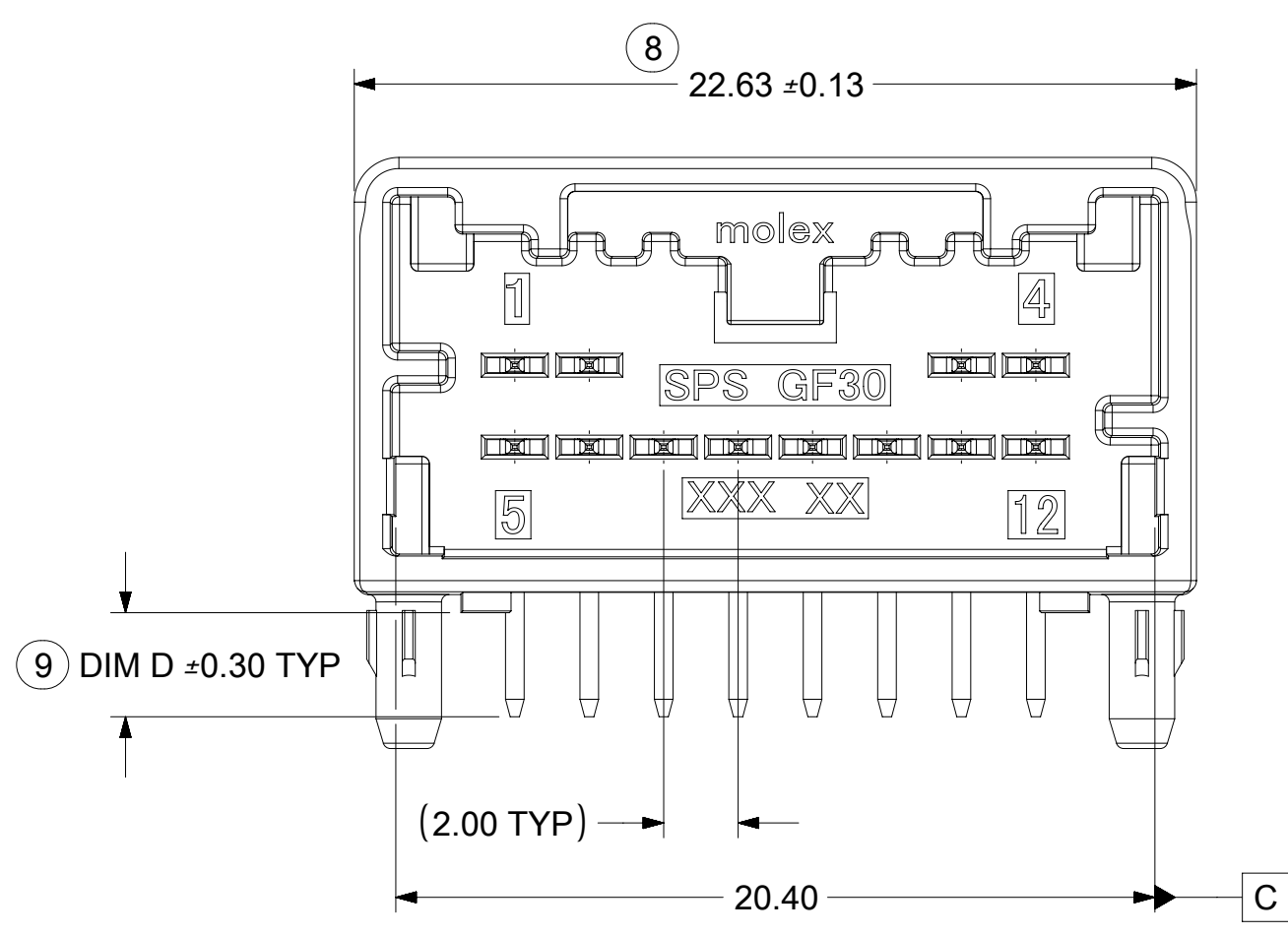
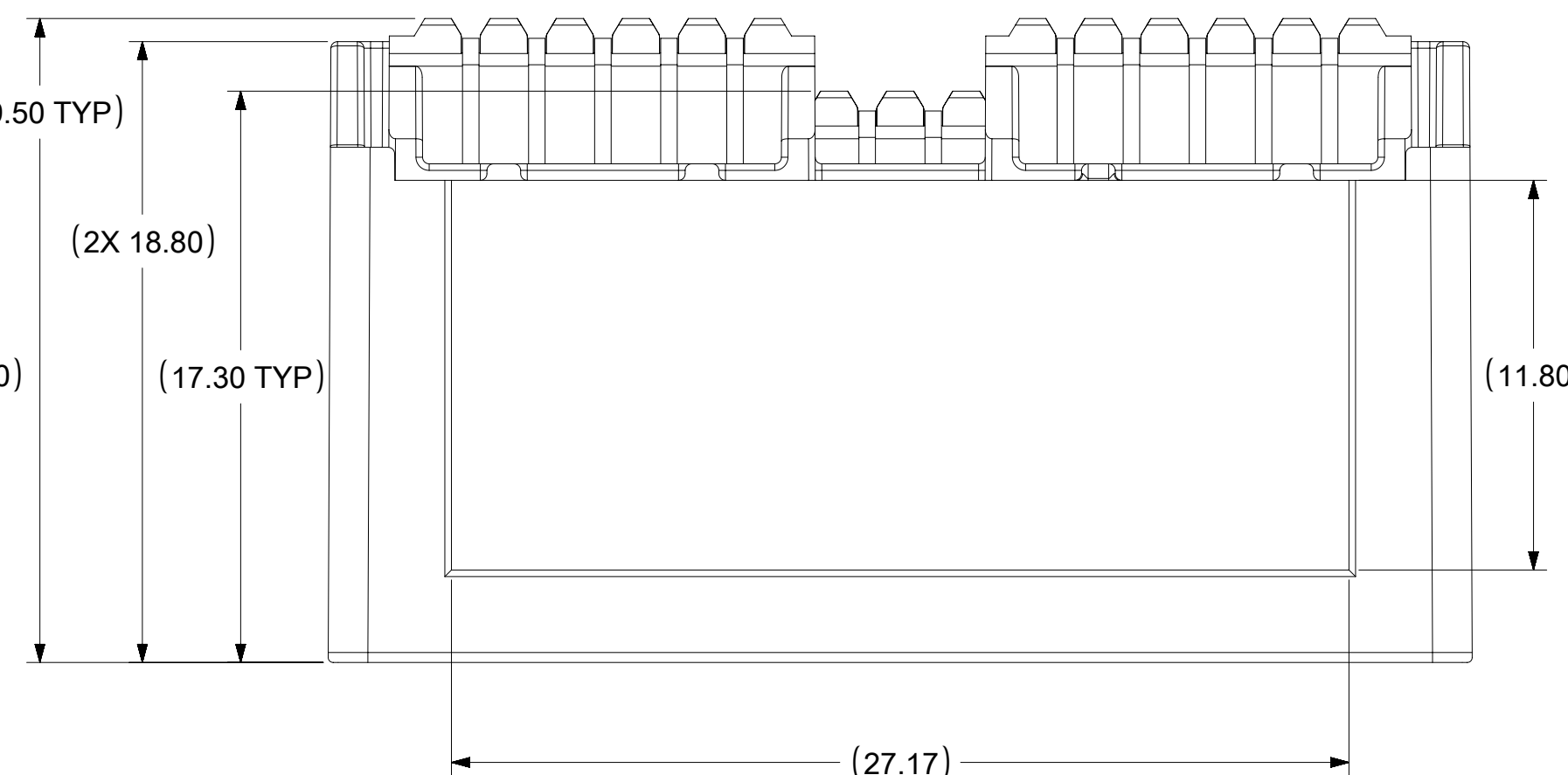
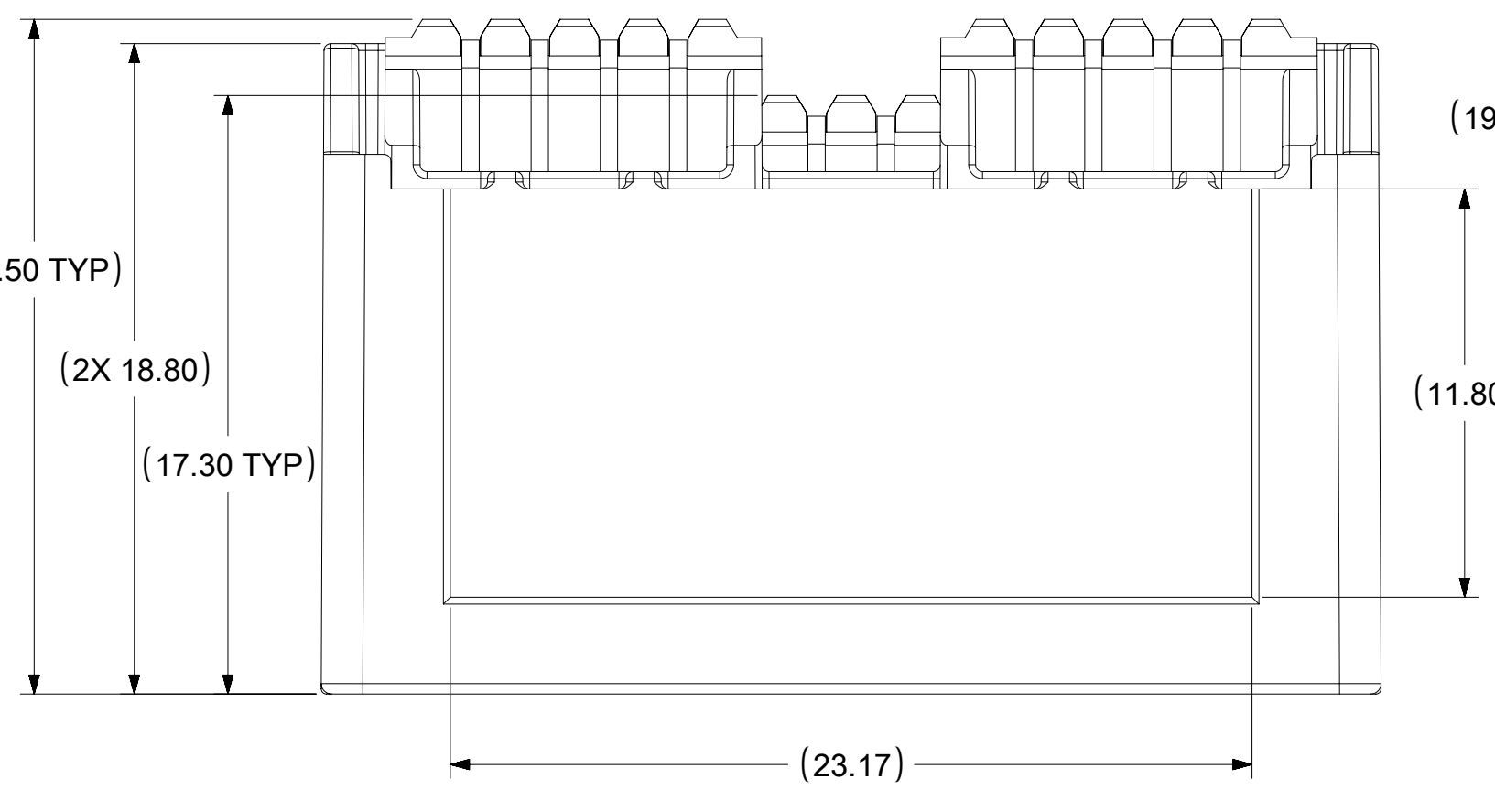
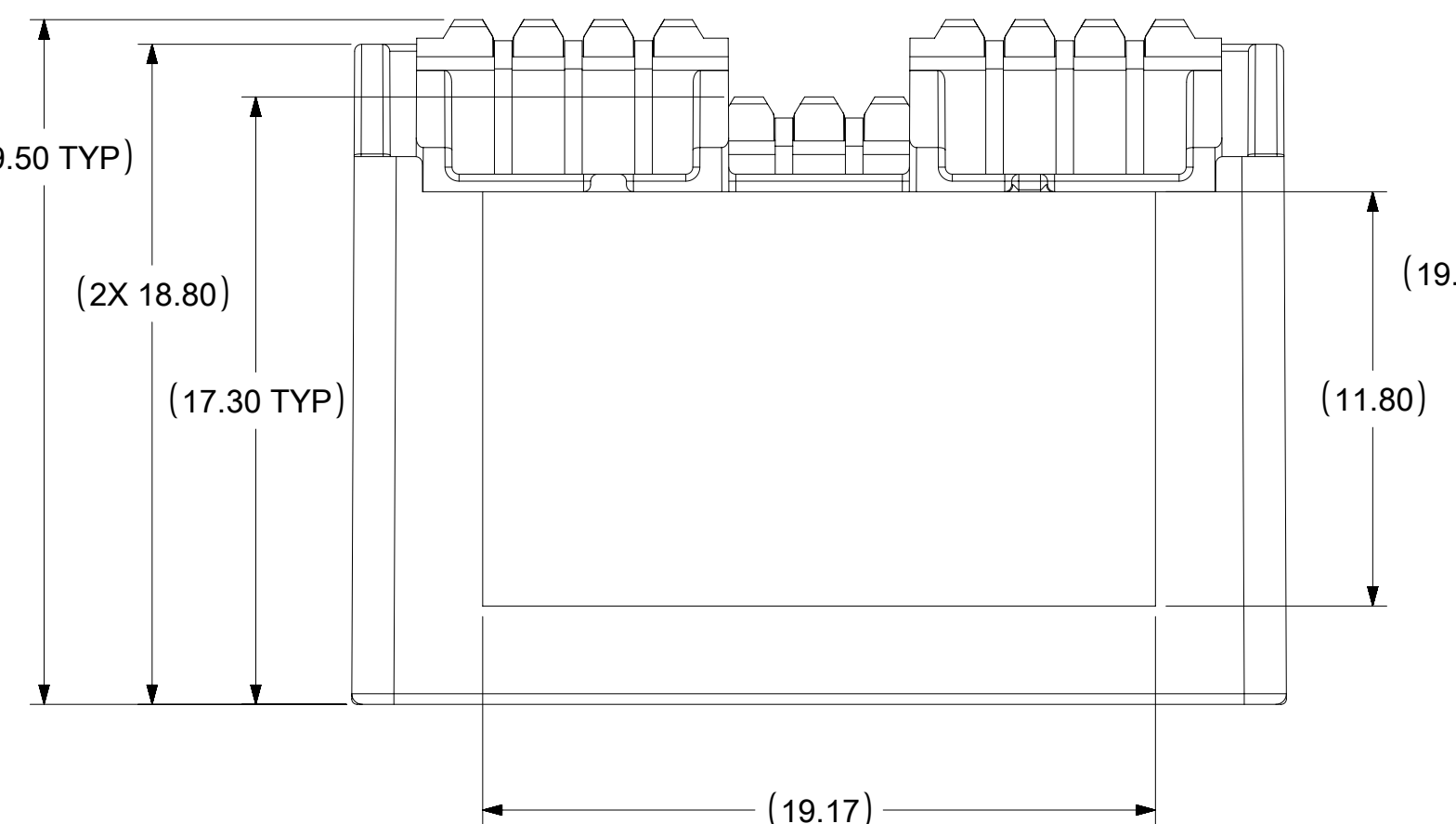
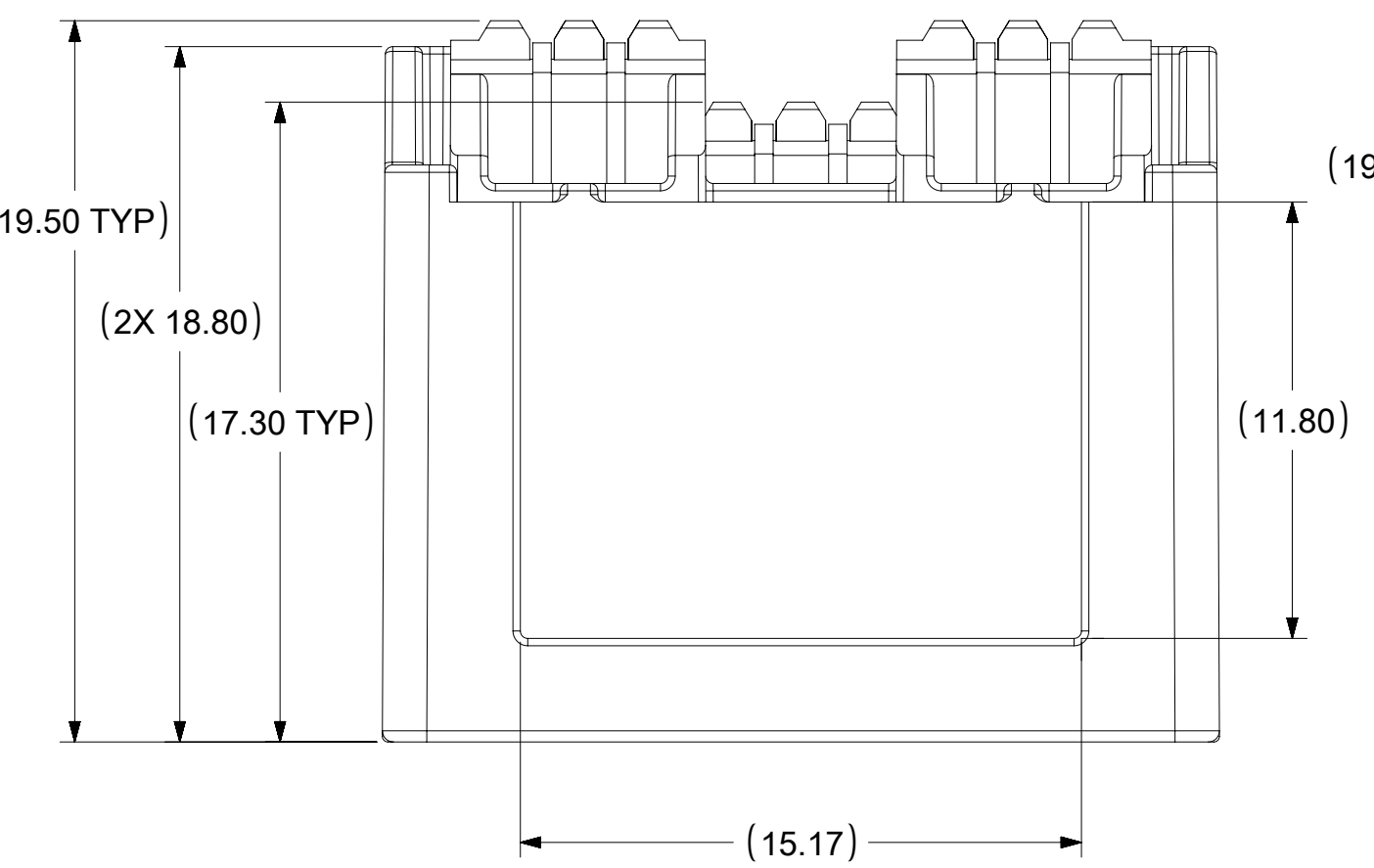
QUALITY SYMBOLS F = 0 F = 0 F = 0 ▽ = 0 C = 0 ⊠ = 0 ■ = 0 ▽ = 0	THIS DRAWING CONTAINS INFORMATION THAT IS PROPRIETARY TO MOLEX ELECTRONIC TECHNOLOGIES, LLC AND SHOULD NOT BE USED WITHOUT WRITTEN PERMISSION		GENERAL TOLERANCES (UNLESS SPECIFIED) DIMENSION UNITS: MM ONLY SCALE: 5:1 DRWN BY: TCUCU DATE: 2011/02/24 CHKD BY: TMACHUGA DATE: 2011/02/25 APPR BY: SMARCEAU DATE: 2011/12/12	molex MINI50 R/A DUAL ROW RIGHT ANGLE ASSEMBLY SALES DRAWING PRODUCT CUSTOMER DRAWING		
	EC NO: 620513 DRWN: SRUSS CHKD: JDUNAJ REV APPR: JDUNAJ	2019/06/18 2019/07/09 2019/07/11	DRAFT WHERE APPLICABLE MUST REMAIN WITHIN DIMENSIONS	DRAWING SIZE: D THIRD ANGLE PROJECTION	SERIES: 34826 MATERIAL NUMBER: SEE CHART CUSTOMER: GENERAL MARKET	DOCUMENT NUMBER: SD-34826-001 DOC TYPE: PSD DOC PART: 001 SHEET NUMBER: 1 OF 5

12 CIRCUIT RIGHT ANGLE
USCAR HEADER

16 CIRCUIT RIGHT ANGLE HEADER

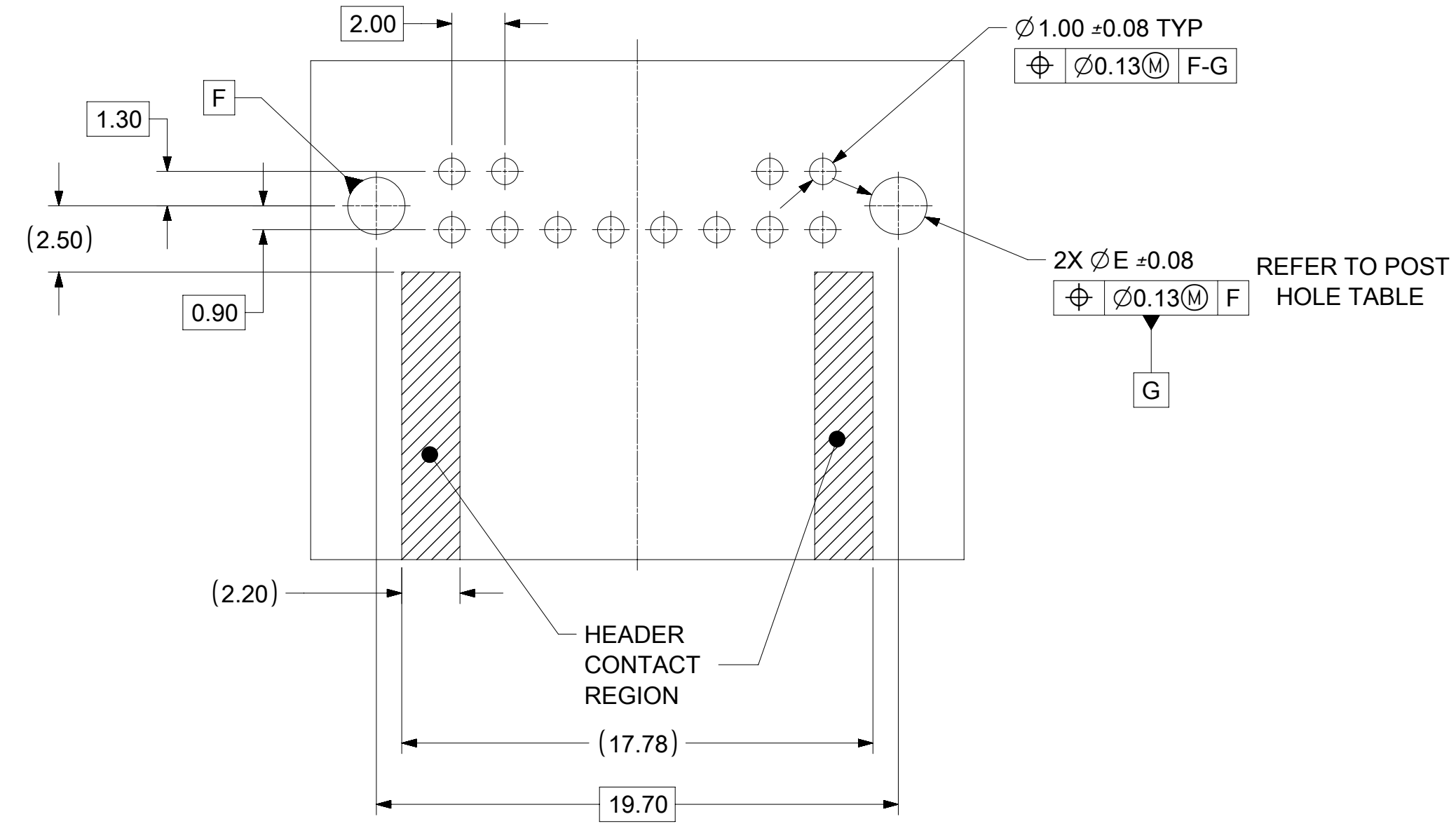
20 CIRCUIT RIGHT ANGLE HEADER

24 CIRCUIT RIGHT ANGLE HEADER

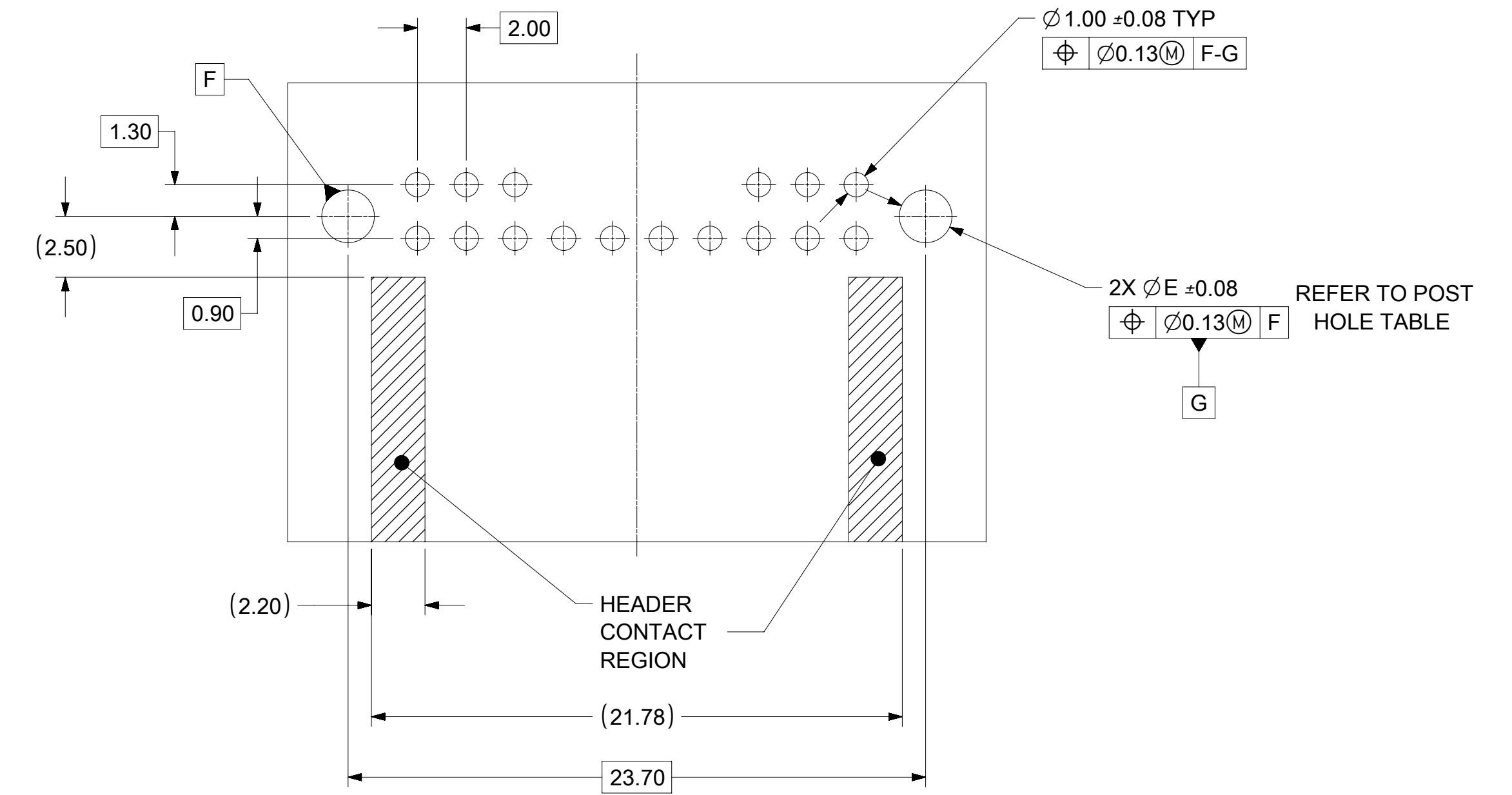


QUALITY SYMBOLS □ = 0 ▽ = 0 ▽ = 0 ▽ = 0 ▽ = 0 ▽ = 0 ▽ = 0 ▽ = 0 ▽ = 0 ▽ = 0	THIS DRAWING CONTAINS INFORMATION THAT IS PROPRIETARY TO MOLEX ELECTRONIC TECHNOLOGIES, LLC AND SHOULD NOT BE USED WITHOUT WRITTEN PERMISSION				DIMENSION UNITS: MM ONLY SCALE: 5:1				
	GENERAL TOLERANCES (UNLESS SPECIFIED) ANGULAR TOL ± 3.0 °		DRWN BY: TCUCU DATE: 2011/02/24		MINI50 R/A DUAL ROW RIGHT ANGLE ASSEMBLY SALES DRAWING				
	4 PLACES ± 3 PLACES ± 2 PLACES ± 0.1 1 PLACE ± 0.2 0 PLACES ±		CHKD BY: TMACHUGA DATE: 2011/02/25					PRODUCT CUSTOMER DRAWING	
	DRAFT WHERE APPLICABLE MUST REMAIN WITHIN DIMENSIONS		APPR BY: SMARCEAU DATE: 2011/12/12		SERIES: 34826 MATERIAL NUMBER: SEE CHART CUSTOMER: GENERAL MARKET				
EC NO: 620513 DRWN: SRUSS CHKD: JDUNAJ REV: APPR: JDUNAJ		D D THIRD ANGLE PROJECTION		DOCUMENT NUMBER: SD-34826-001 DOC TYPE: PSD DOC PART: 001 SHEET NUMBER: 2 OF 5					

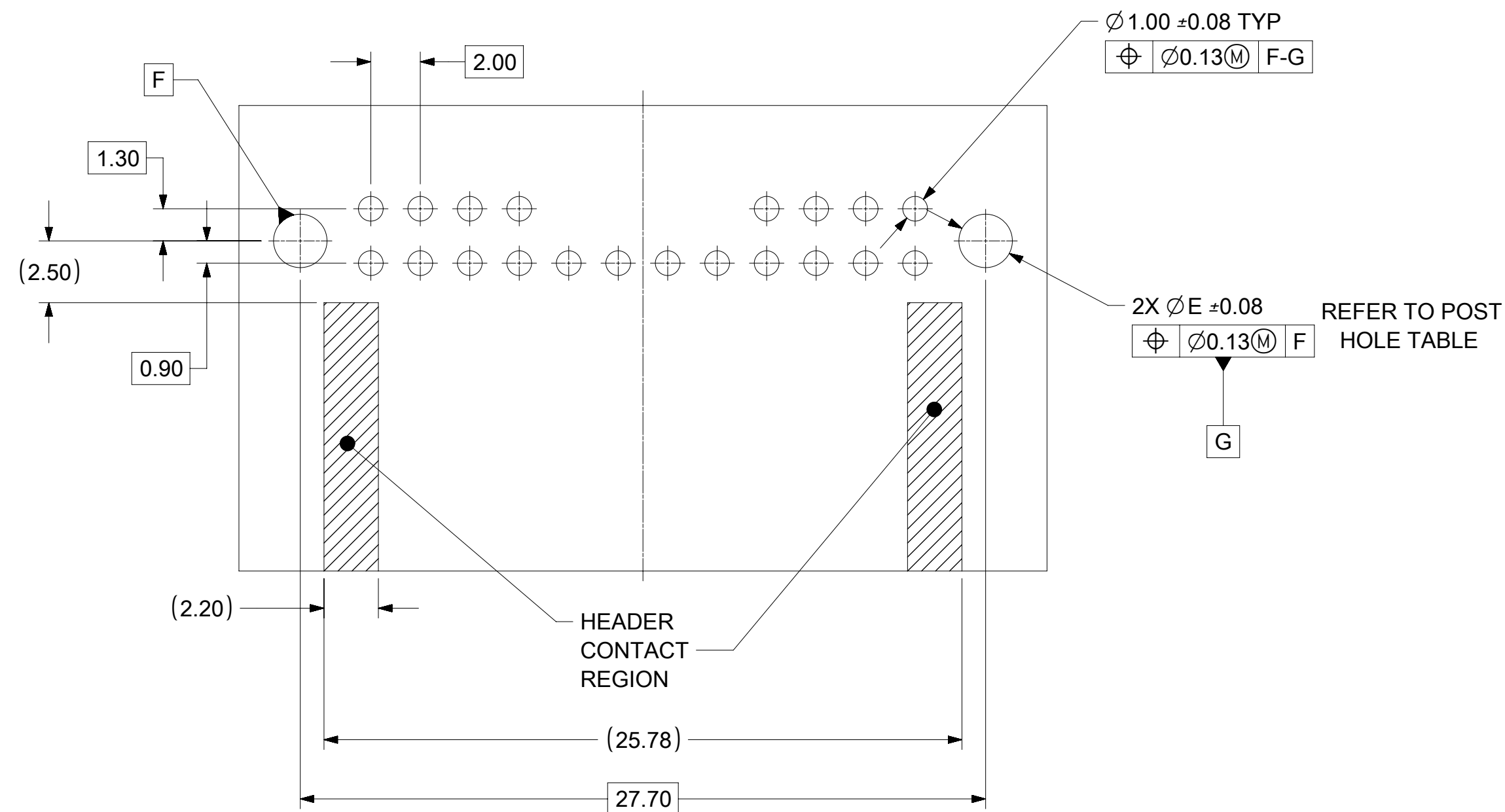
12 CIRCUIT RIGHT ANGLE HEADER
PCB CONFIGURATION



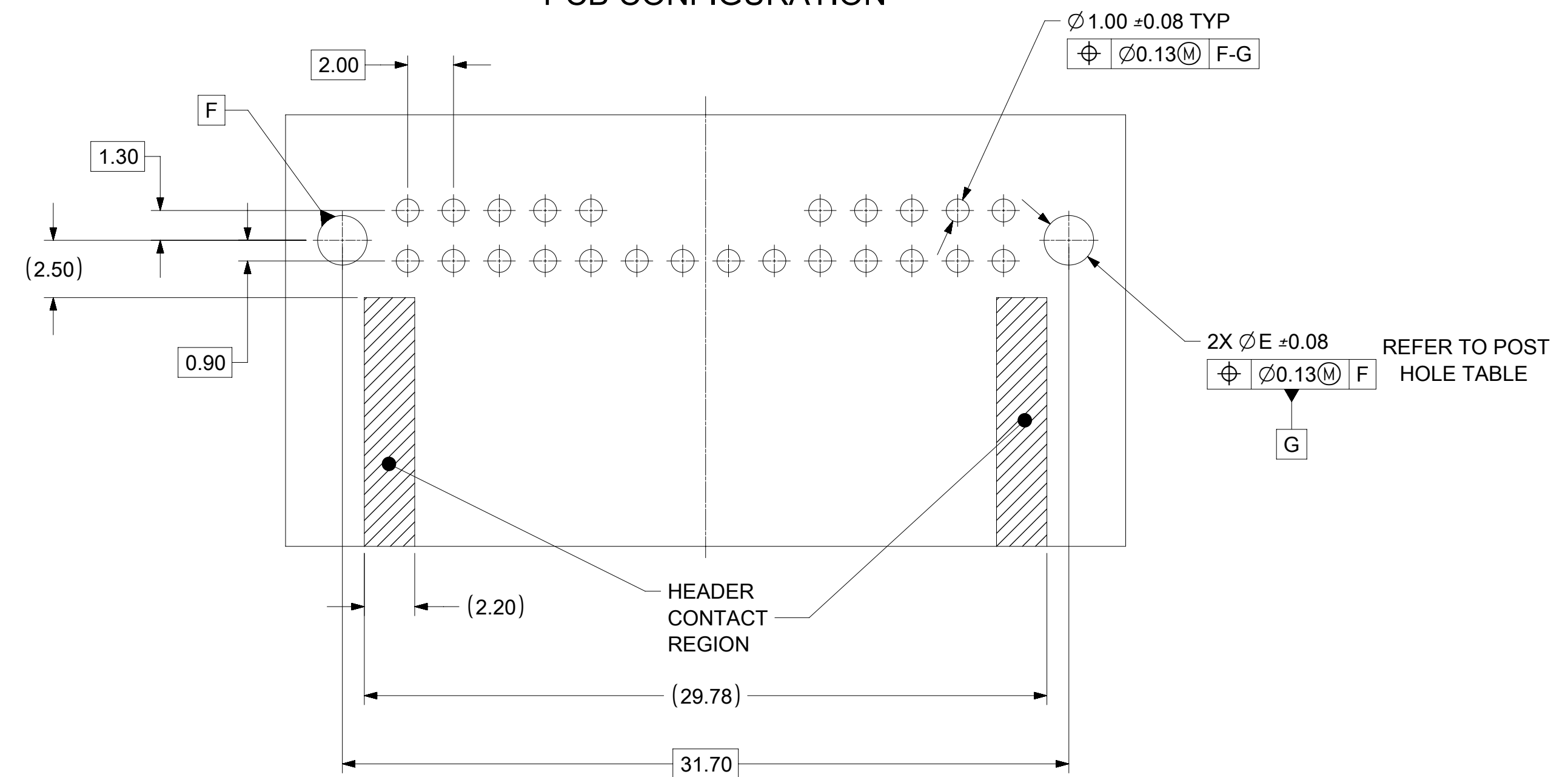
16 CIRCUIT RIGHT ANGLE HEADER
PCB CONFIGURATION



20 CIRCUIT RIGHT ANGLE HEADER
PCB CONFIGURATION



24 CIRCUIT RIGHT ANGLE HEADER
PCB CONFIGURATION



POST HOLE TABLE

	DIM 'E'
PRESS FIT	2.15
DROP IN	2.55

QUALITY SYMBOLS ▽ = 0 ▽ = 0 ▽ = 0 ▽ = 0 ▽ = 0 ▽ = 0 ▽ = 0 ▽ = 0	THIS DRAWING CONTAINS INFORMATION THAT IS PROPRIETARY TO MOLEX ELECTRONIC TECHNOLOGIES, LLC AND SHOULD NOT BE USED WITHOUT WRITTEN PERMISSION				DIMENSION UNITS MM ONLY			SCALE 5:1			
	GENERAL TOLERANCES (UNLESS SPECIFIED) ANGULAR TOL $\pm 3.0^\circ$ 4 PLACES \pm 3 PLACES \pm 2 PLACES ± 0.1 1 PLACE ± 0.2 0 PLACES \pm DRAFT WHERE APPLICABLE MUST REMAIN WITHIN DIMENSIONS				DRWN BY TCUCU		DATE 2011/02/24				
EC NO: 620513 DRWN: SRUSS CHKD: JDUNAJ REV APPR: JDUNAJ				CHKD BY TMACHUGA		DATE 2011/02/25		MINI50 R/A DUAL ROW RIGHT ANGLE ASSEMBLY SALES DRAWING			
G5				APPR BY SMARCEAU		DATE 2011/12/12		PRODUCT CUSTOMER DRAWING			
				DRAWING SIZE D		THIRD ANGLE PROJECTION		SERIES 34826	MATERIAL NUMBER SEE CHART	CUSTOMER GENERAL MARKET	
								DOCUMENT NUMBER SD-34826-001	DOC TYPE PSD	DOC PART 001	SHEET NUMBER 3 OF 5



MINI50 RIGHT ANGLE HEADER ASSEMBLIES - PBT RECEPTACLE

MATERIAL NUMBER TAPE AND REEL PACKAGING PK-47799-0001	MATERIAL NUMBER TUBE PACKAGING PK-31301-688	MATERIAL NUMBER TRAY PACKAGING PK-31301-440	DIM 'D'	CONFIGURATION	CIRCUIT	POL	COLOR	BLADE PLATING	MATING COMPONENT	
									UN-BRIDGED	BRIDGED
34826-8124	34826-9124	34826-0124	2.80	USCAR	12	A	BLACK	TIN OVER NICKEL	34824-0124	34824-1124
34826-8125	34826-9125	34826-0125		USCAR	12	B	GRAY	TIN OVER NICKEL	34824-0125	34824-1125
34826-8126	34826-9126	34826-0126		USCAR	12	C	DARK GRAY	TIN OVER NICKEL	34824-0126	34824-1126
34826-8160	34826-9160	34826-0160		MOLEX	16	A	BLACK	TIN OVER NICKEL	34824-0160	34824-1160
34826-8161	34826-9161	34826-0161		MOLEX	16	B	GRAY	TIN OVER NICKEL	34824-0161	34824-1161
34826-8162	34826-9162	34826-0162		MOLEX	16	C	DARK GRAY	TIN OVER NICKEL	34824-0162	34824-1162
34826-8164	34826-9164	34826-0164	3.30	MOLEX	16	A	BLACK	TIN OVER NICKEL	34824-0160	34824-1160
34826-8165	34826-9165	34826-0165		MOLEX	16	B	GRAY	TIN OVER NICKEL	34824-0161	34824-1161
34826-8166	34826-9166	34826-0166		MOLEX	16	C	DARK GRAY	TIN OVER NICKEL	34824-0162	34824-1162
34826-8200	34826-9200	34826-0200	2.80	MOLEX	20	A	BLACK	TIN OVER NICKEL	34824-0200	34824-1200
34826-8201	34826-9201	34826-0201		MOLEX	20	B	GRAY	TIN OVER NICKEL	34824-0201	34824-1201
34826-8202	34826-9202	34826-0202		MOLEX	20	C	DARK GRAY	TIN OVER NICKEL	34824-0202	34824-1202
34826-8204	34826-9204	34826-0204	3.30	MOLEX	20	A	BLACK	TIN OVER NICKEL	34824-0200	34824-1200
34826-8205	34826-9205	34826-0205		MOLEX	20	B	GRAY	TIN OVER NICKEL	34824-0201	34824-1201
34826-8206	34826-9206	34826-0206		MOLEX	20	C	DARK GRAY	TIN OVER NICKEL	34824-0202	34824-1202
34826-8240	34826-9240	34826-0240	2.80	MOLEX	24	A	BLACK	TIN OVER NICKEL	34824-0240	34824-1240
34826-8241	34826-9241	34826-0241		MOLEX	24	B	GRAY	TIN OVER NICKEL	34824-0241	34824-1241
34826-8242	34826-9242	34826-0242		MOLEX	24	C	DARK GRAY	TIN OVER NICKEL	34824-0242	34824-1242

QUALITY SYMBOLS 	THIS DRAWING CONTAINS INFORMATION THAT IS PROPRIETARY TO MOLEX ELECTRONIC TECHNOLOGIES, LLC AND SHOULD NOT BE USED WITHOUT WRITTEN PERMISSION											
	2019/06/18 2019/07/09 2019/07/11 EC NO: 620513 DRWN: SRUSS CHKD: JDUNAJ REV APPR: JDUNAJ	GENERAL TOLERANCES (UNLESS SPECIFIED)			DIMENSION UNITS	SCALE	 MINI50 R/A DUAL ROW RIGHT ANGLE ASSEMBLY SALES DRAWING PRODUCT CUSTOMER DRAWING					
		ANGULAR TOL ± 3.0 °			MM ONLY	5:1						
		4 PLACES ±	DRWN BY		DATE	TCUCU 2011/02/24						
		3 PLACES ±	CHKD BY		DATE	TMACHUGA 2011/02/25						
		2 PLACES ± 0.1	APPR BY		DATE	SMARCEAU 2011/12/12						
	1 PLACE ± 0.2	DRAWING SIZE		THIRD ANGLE PROJECTION			SERIES	MATERIAL NUMBER	CUSTOMER			
	0 PLACES ±	DRAFT WHERE APPLICABLE MUST REMAIN WITHIN DIMENSIONS		D				34826	SEE CHART	GENERAL MARKET		
	DOCUMENT NUMBER		DOC TYPE	DOC PART	SHEET NUMBER							
	G5		SD-34826-001	PSD	001	4 OF 5						

MINI50 RIGHT ANGLE HEADER ASSEMBLIES - ECOPAXX RECEPTACLE

MATERIAL NUMBER TAPE AND REEL PACKAGING PK-47799-0001	MATERIAL NUMBER TUBE PACKAGING PK-31301-688	MATERIAL NUMBER TRAY PACKAGING PK-31301-440	DIM 'D'	CONFIGURATION	CIRCUIT	POL	COLOR	BLADE PLATING	MATING COMPONENT	
									UN-BRIDGED	BRIDGED
34826-8160	34826-9160	34826-0160	2.80	MOLEX	16	A	BLACK	TIN OVER NICKEL	34824-1164	34824-0164
34826-8161	34826-9161	34826-0161		MOLEX	16	B	GRAY	TIN OVER NICKEL	34824-1165	34824-0165
34826-8162	34826-9162	34826-0162		MOLEX	16	C	DARK GRAY	TIN OVER NICKEL	34824-1166	34824-0166
34826-8164	34826-9164	34826-0164	3.30	MOLEX	16	A	BLACK	TIN OVER NICKEL	34824-1164	34824-0164
34826-8165	34826-9165	34826-0165		MOLEX	16	B	GRAY	TIN OVER NICKEL	34824-1165	34824-0165
34826-8166	34826-9166	34826-0166		MOLEX	16	C	DARK GRAY	TIN OVER NICKEL	34824-1166	34824-0166
34826-8200	34826-9200	34826-0200	2.80	MOLEX	20	A	BLACK	TIN OVER NICKEL	34824-1204	34824-0204
34826-8201	34826-9201	34826-0201		MOLEX	20	B	GRAY	TIN OVER NICKEL	34824-1205	34824-0205
34826-8202	34826-9202	34826-0202		MOLEX	20	C	DARK GRAY	TIN OVER NICKEL	34824-1206	34824-0206
34826-8204	34826-9204	34826-0204	3.30	MOLEX	20	A	BLACK	TIN OVER NICKEL	34824-1204	34824-0204
34826-8205	34826-9205	34826-0205		MOLEX	20	B	GRAY	TIN OVER NICKEL	34824-1205	34824-0205
34826-8206	34826-9206	34826-0206		MOLEX	20	C	DARK GRAY	TIN OVER NICKEL	34824-1206	34824-0206
34826-8240	34826-9240	34826-0240	2.80	MOLEX	24	A	BLACK	TIN OVER NICKEL	34824-1244	34824-0244
34826-8241	34826-9241	34826-0241		MOLEX	24	B	GRAY	TIN OVER NICKEL	34824-1245	34824-0245
34826-8242	34826-9242	34826-0242		MOLEX	24	C	DARK GRAY	TIN OVER NICKEL	34824-1246	34824-0246

SYMBOLS ▽ = 0 ▽ = 0 ▽ = 0 ▽ = 0 ▽ = 0 ▽ = 0 ▽ = 0 ▽ = 0 ▽ = 0 ▽ = 0	THIS DRAWING CONTAINS INFORMATION THAT IS PROPRIETARY TO MOLEX ELECTRONIC TECHNOLOGIES, LLC AND SHOULD NOT BE USED WITHOUT WRITTEN PERMISSION		CURRENT REV DESC:		 MINI50 R/A DUAL ROW RIGHT ANGLE ASSEMBLY SALES DRAWING PRODUCT CUSTOMER DRAWING		
	DIMENSION UNITS	SCALE	EC NO: 620513				
	mm	1:1	DRWN: SRUSS 2019/06/18				
	GENERAL TOLERANCES (UNLESS SPECIFIED)		CHK'D: JDUNAJ 2019/07/09				
	ANGULAR TOL ± 3.0°		APPR: JDUNAJ 2019/07/11				
	4 PLACES ±		INITIAL REVISION:				
	3 PLACES ±		DRWN: TMACHUGA 2011/11/22				
	2 PLACES ± 0.1		APPR: SMARCEAU 2011/12/12				
	1 PLACE ± 0.2		DOCUMENT NUMBER				
	0 PLACES ±		SD-34826-001				
DRAFT WHERE APPLICABLE MUST REMAIN WITHIN DIMENSIONS		THIRD ANGLE PROJECTION	DRAWING	SERIES	DOCUMENT TYPE	DOC PART	REVISION
			D-SIZE	34826	PSD	001	G5
		MATERIAL NUMBER		CUSTOMER	SHEET NUMBER		
		34826		GENERAL MARKET	5 OF 5		