

THIS DRAWING IS UNPUBLISHED. RELEASED FOR PUBLICATION 20
 © COPYRIGHT 20 BY - ALL RIGHTS RESERVED.

REVISIONS				
P	LTR	DESCRIPTION	DATE	APVD
A2		ECR-16-010931	02AUG2016	L.Z X.X
B		ECR-19-009136	01AUG2019	C.D C.W

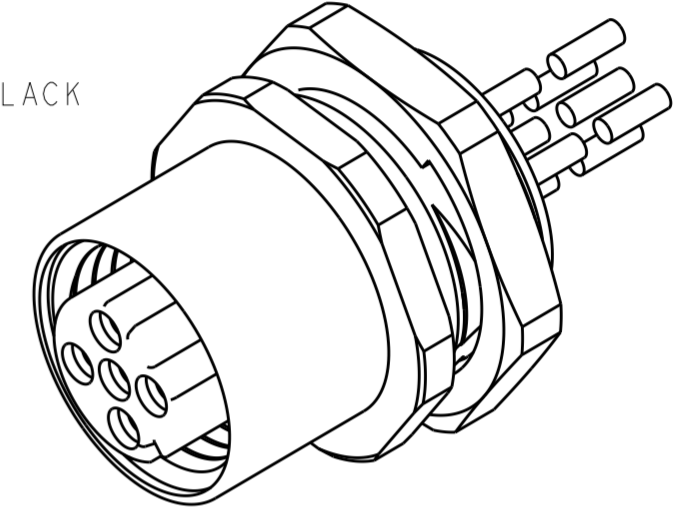
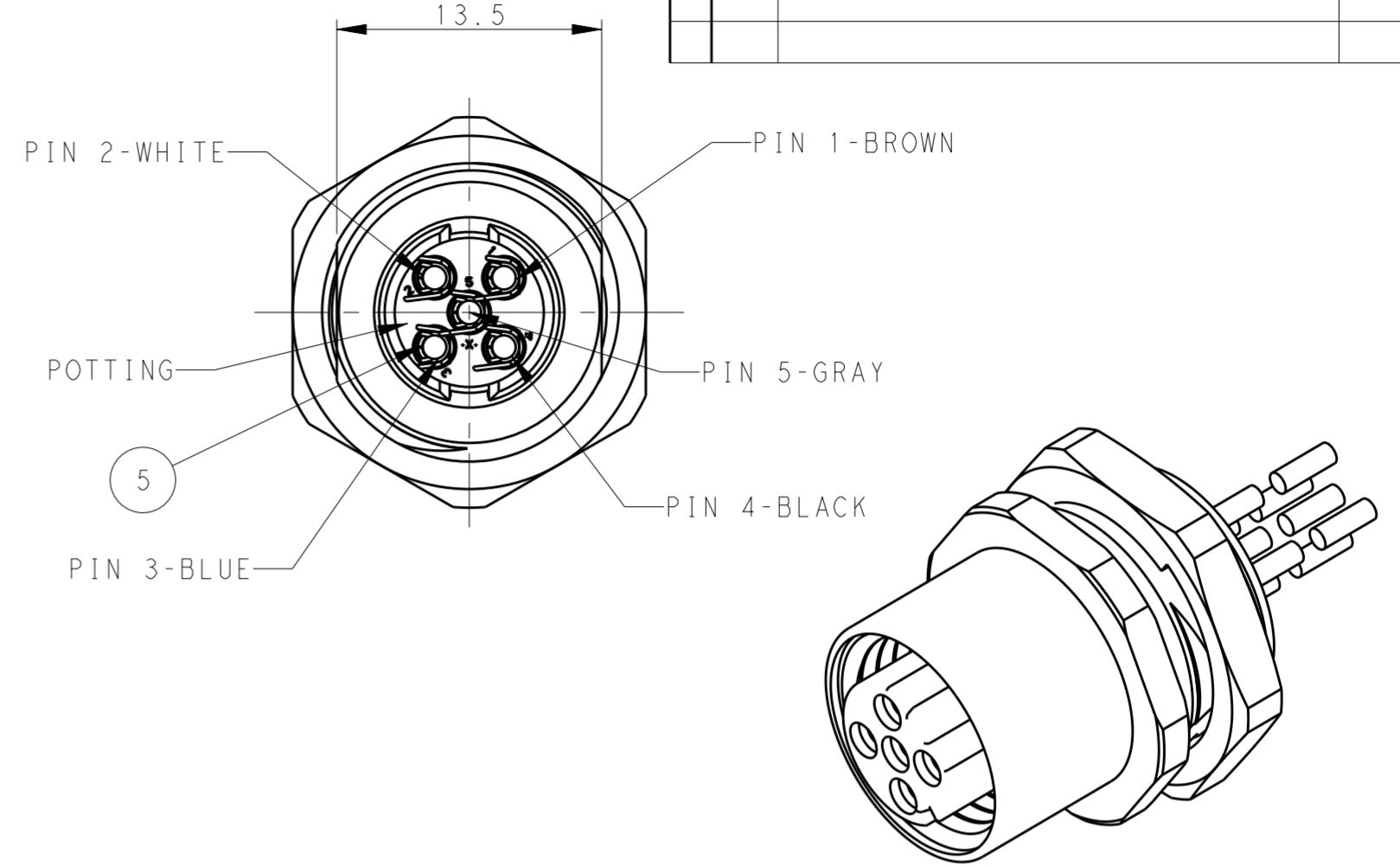
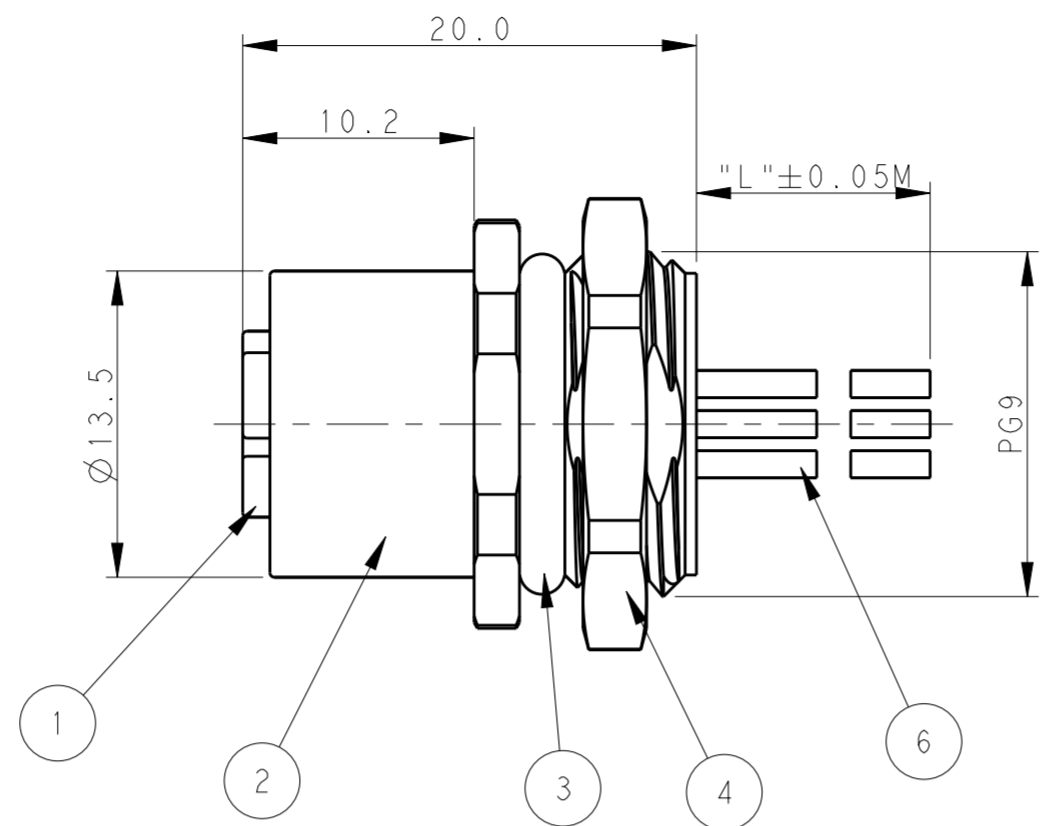
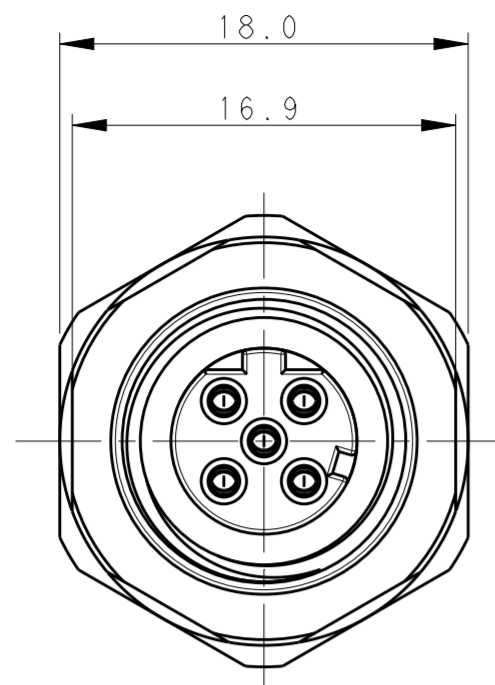


TABLE 1

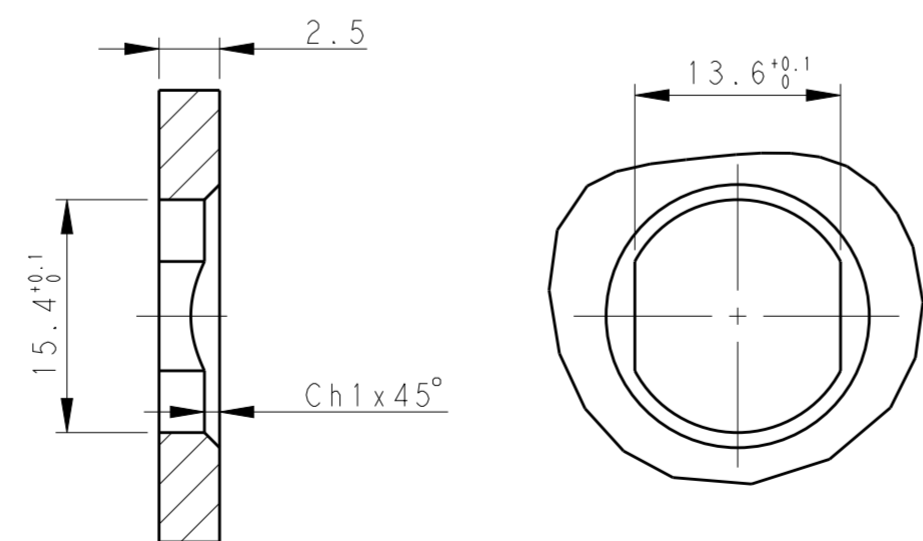
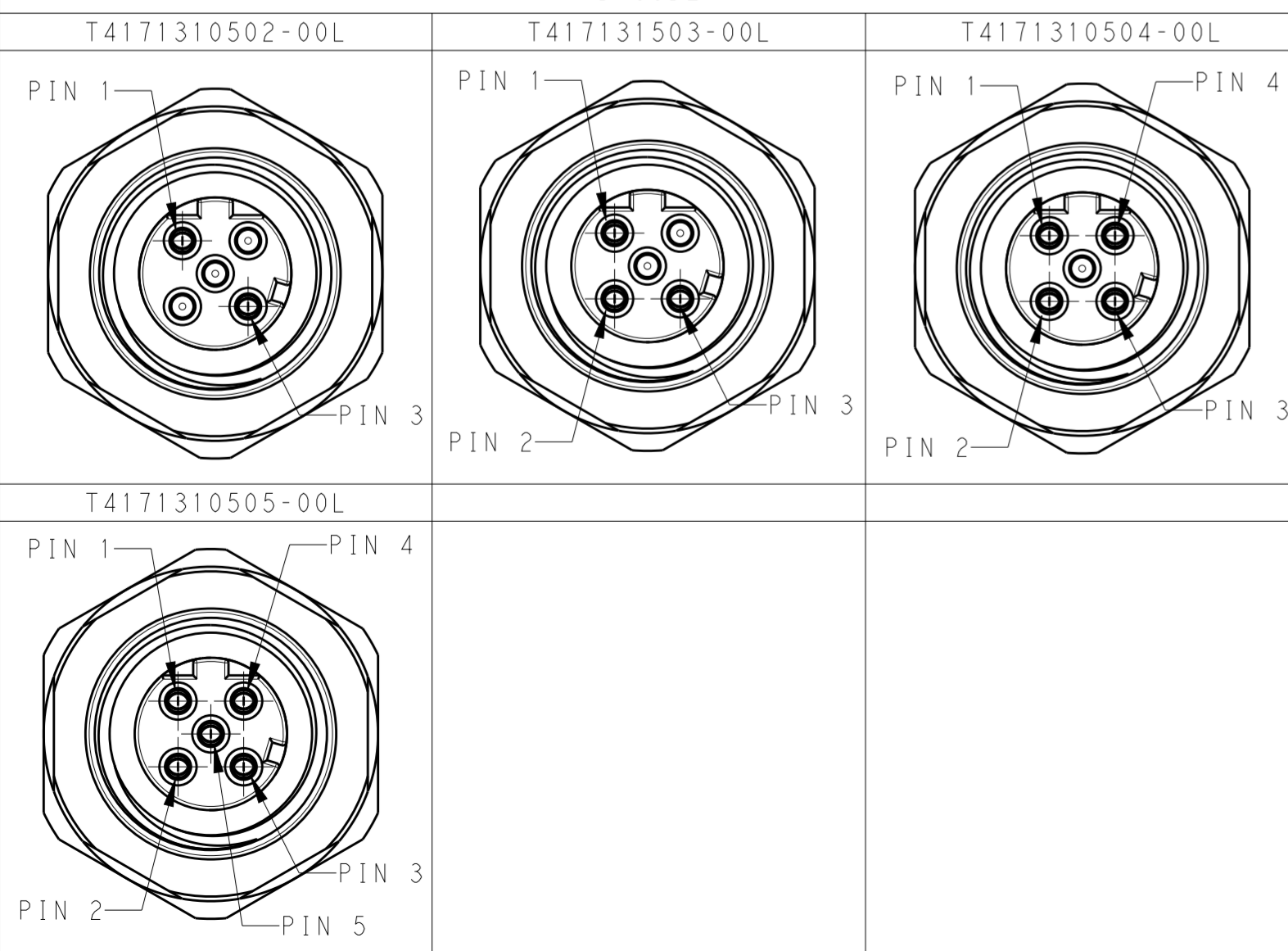
TECHNICAL DATA	T4171310502-00L	T4171310503-00L	T4171310504-00L	T4171310505-00L
RATED VOLTAGE	250V	250V	250V	60V
RATED CURRENT	4A	4A	4A	4A
POLLUTION DEGREE	3	3	3	3
OVERVOLTAGE CATEGORY	II	II	II	II
MATERIAL GROUP	II	II	II	II
CONTACT RESISTANCE	<=10mΩ	<=10mΩ	<=10mΩ	<=10mΩ
INSULATION RESISTANCE	>100MΩ	>100MΩ	>100MΩ	>100MΩ
DEGREE OF PROTECTION	IP67	IP67	IP67	IP67
OPERATION TEMPERATURE	-40~85°C	-40~85°C	-40~85°C	-40~85°C

NOTE:
 1. TECHNICAL DATA: SEE TABLE 1
 2. PRODUCT COMPLIES WITH IEC61076-2-101
 3. RECOMMENDED MOUNT PANEL SEE DETAIL
 4. CABLE LENGTH SEE TABLE 2

注释:
 1: 技术参数, 见表1
 2: 产品符合标准 IEC61076-2-101
 3: 推荐开孔尺寸详见如图示
 4: 线长度见表2

CABLE CHARACTERISTIC	CABLE LENGTH "L"	DESCRIPTION	POS	TABLE 2 PN
WIRES: 0.34MM^2(22AWG) WIRE PN AND COLOR: 1(BR)/2(WH)/3(BL)/4(BK)/5(GR)	-001: 0.2M -002: 0.5M -003: 1.0M -004: 1.5M -005: 3.0M -006: 5.0M -007: 7.0M -008: 10.0M	RPC-M12D-FB-5CON-PG9-**LAU	5	T4171310505-00L
		RPC-M12D-FB-4CON-PG9-**LAU	4	T4171310504-00L
		RPC-M12D-FB-3CON-PG9-**LAU	3	T4171310503-00L
		RPC-M12D-FB-2CON-PG9-**LAU	2	T4171310502-00L

PIN ARRANGEMENT D-CODE



RECOMMENDED PANEL CUTOUT

COMMENT	MATERIAL	DESCRIPTION	ITEM
FLASH GOLD	COPPER ALLOY	CABLE CONTACT	6 2 3 4 5
-	COPPER ALLOY	METAL NUT	5 2 3 4 5
BLACK	RUBBER	O-RING	4 1 1 1 1
-	COPPER ALLOY	M12, MALE, METAL BODY	3 1 1 1 1
BLACK	NYLON	M12, MALE HSG, D CODE, 5PINS	2 1 1 1 1

THIS DRAWING IS A CONTROLLED DOCUMENT.

DWN BO GAO 11APR2016
 CHK KOBBY ZHAO 11APR2016
 APVD XIANG XU 11APR2016

TE Connectivity

NAME M12 PANEL MOUNT CONNECTOR D CODE, FEMALE, FRONT MOUNTING

PRODUCT SPEC 108-106140
 APPLICATION SPEC 114-137144

SIZE A2 CAGE CODE - DRAWING NO. G-T417131050X00L RESTRICTED TO -
 WEIGHT - SCALE 3:1 SHEET 1 OF 1 REV B

CUSTOMER DRAWING