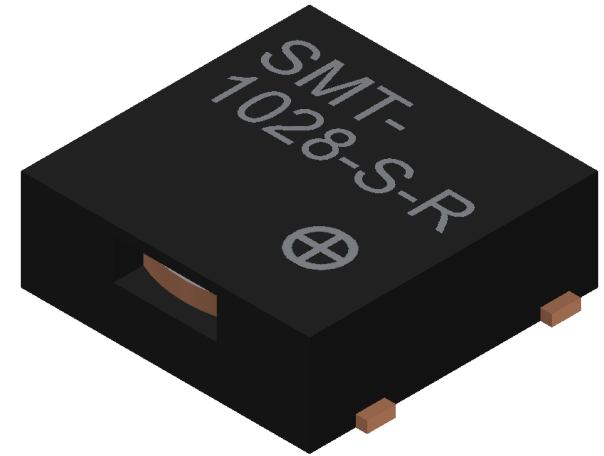




pui audio™ inc
a projects unlimited company

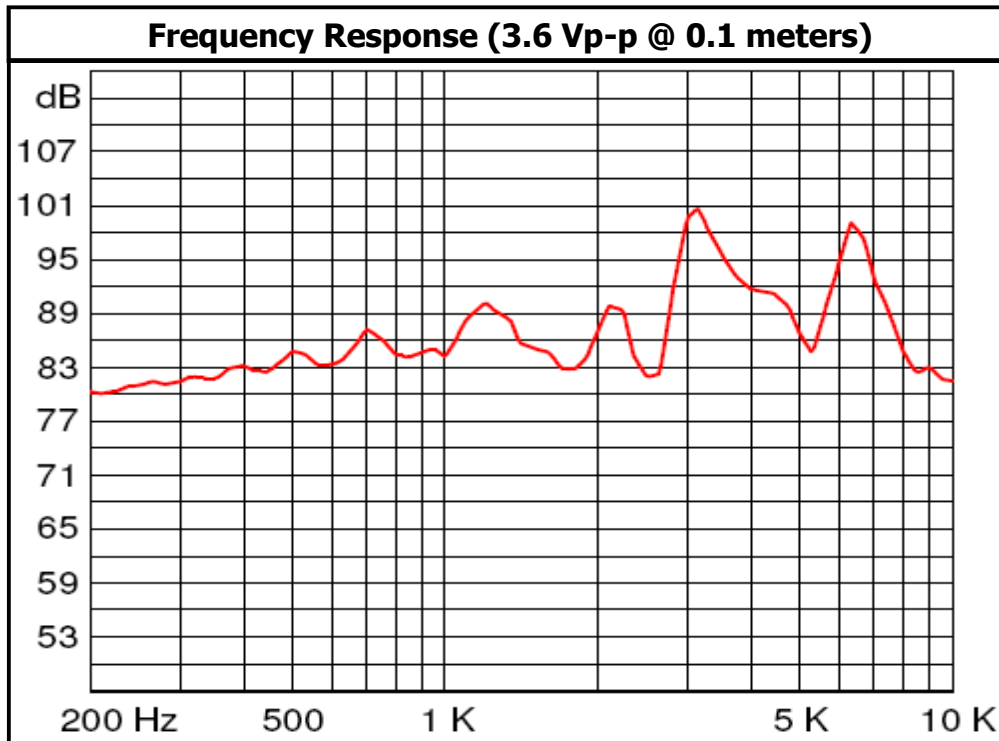
SMT-1028-S-R 10x10mm Transducer



3541 Stop Eight Road • Dayton, Ohio 45414

Product Overview

- Side-firing electromechanical transducer designed for 2 to 4 Vp-p
- Small 10 x 10mm footprint with surprising 93 dB output
- 2,830 Hz resonant frequency targets most sensitive region of human hearing
- Designed for reflow soldering using a lead-free profile



RoHS Compliant





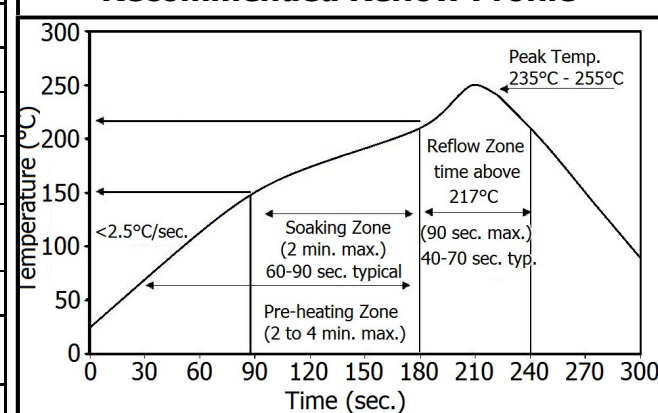
SMT-1028-S-R

10x10mm Transducer

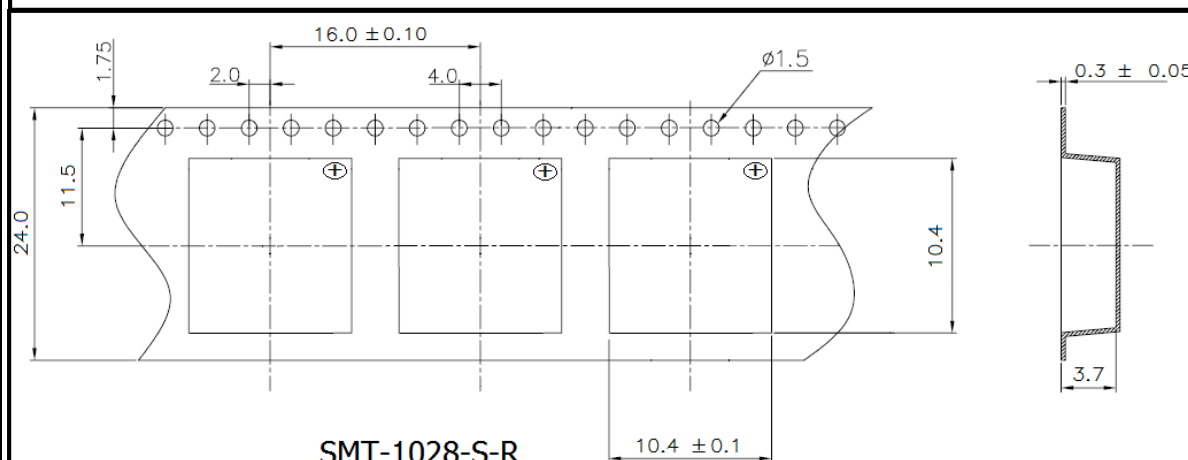
Mechanical and Environment Testing

Test Description	Test Condition
High Temperature	85°C (±2°C) with random humidity for 96 hours
Low Temperature	-40°C (±2°C) with random humidity for 96 hours
Humidity	25°C to 60°C with 90% to 95% relative humidity for 12 hours, 10 cycles
Vibration	1.53 mm movement modulated at 10-55 Hz in 3 directions for 6 hours
Drop Test	120 cm free fall in six directions, 3 cycles
Temperature Cycle Test	-30°C to 70°C, five 90 minute cycles

Recommended Reflow Profile

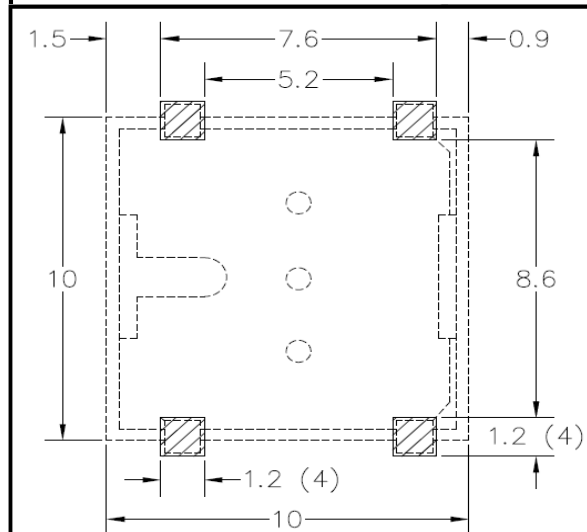


Tape Dimensions



SMT-1028-S-R
Tape Dimensions
1,000 PCS/Reel

Recommended Land Pattern



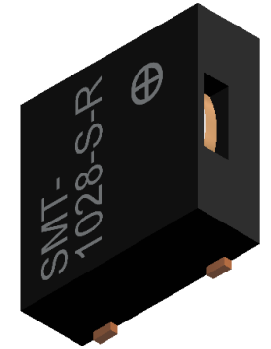
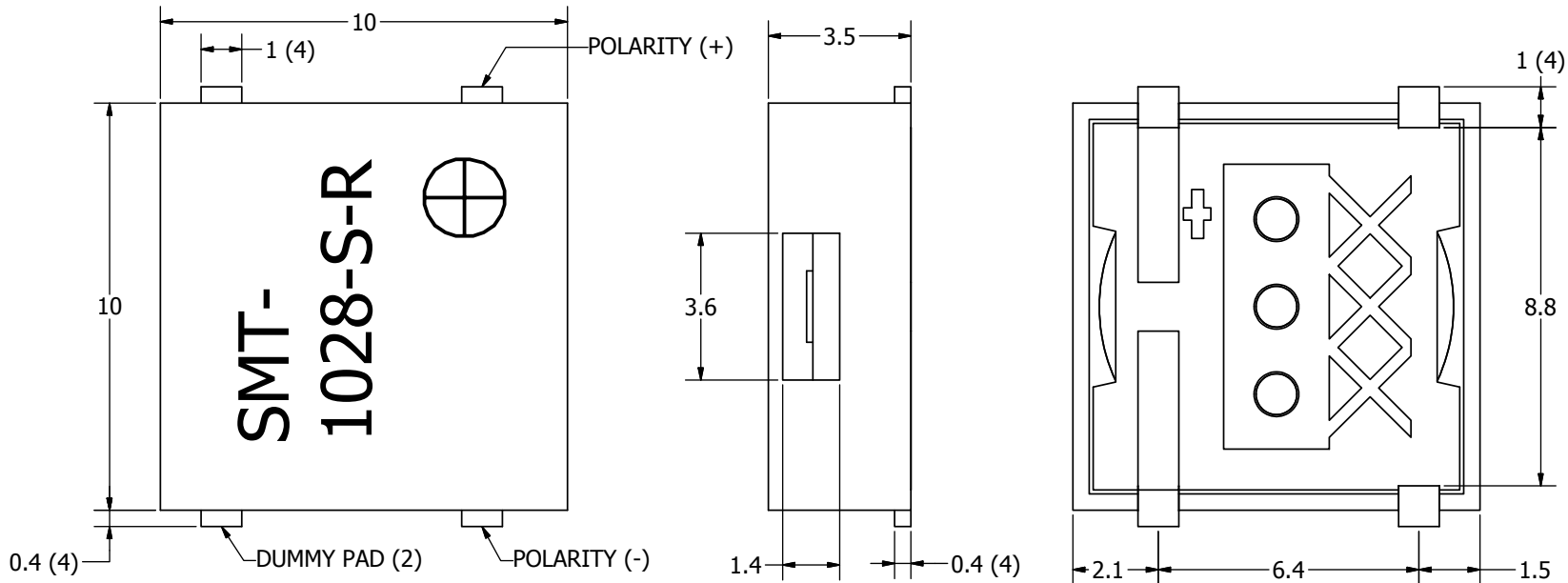
SPECIFICATIONS

PARAMETERS	VALUES	UNITS
RATED VOLTAGE (SQUARE WAVE)	3.6	Vp-p
OPERATING VOLTAGE RANGE	3 ~ 4.6	Vp-p
RATED CURRENT (MAX)	100	mA
COIL RESISTANCE	18 ± 5	OHM
MINIMUM SPL @ 10 CM	93	dBa
RESONANT FREQUENCY	2,830 ± 500	Hz
OPERATING TEMPERATURE	-20 ~ +70	°C
STORAGE TEMPERATURE	-40 ~ +85	°C
HOUSING MATERIAL	LCP	-
TERMINAL MATERIAL	Cu WRAPPED FR4 Au PLATED	-
WEIGHT	0.9	grams

THIS DOCUMENT CONTAINS DATA PROPRIETARY TO PROJECTS UNLIMITED, INC. ANY USE OR REPRODUCTION, IN ANY FORM, WITHOUT PRIOR WRITTEN PERMISSION OF PROJECTS UNLIMITED, INC. IS PROHIBITED.
©2003, Projects Unlimited Inc.

REVISION HISTORY

LTR	DESCRIPTION	DATE	APPROVED
-	RELEASED FROM ENGINEERING	7/19/2005	
A	REVISED TERMINAL MATERIAL	1/20/2006	B.R.
B	REVISED HOUSING AND TERMINAL MATERIAL	8/21/2006	B.R.
C	REVISED TO INVENTOR 3-D DRAWING TEMPLATE	11/6/2007	B.R.



NOTES:

1. ALL DIMENSIONS ARE IN MILLIMETERS.
2. SPECIFICATIONS SUBJECT TO CHANGE OR WITHDRAWAL WITHOUT NOTICE.
3. THIS PART IS RoHS 2002/95/EC COMPLIANT.

UNLESS OTHERWISE SPECIFIED: DIMENSIONS ARE IN MILLIMETERS, TOLERANCES ARE ±0.5 AND ANGLES ARE ±3°.	SIZE	Designed by	Date	Checked by	Date	Approved by	Date	Drawn Date		
	A3	R.C.	7/19/2005			E.P.	7/19/2005	11/6/2007		
SMT-1028-S-R.idw		pui audio a projects unlimited company		SMT-1028-S-R			Transducer (Electro-Mech)		Edition	Sheet
								-	1 / 1	