

## Product Change Notice (PCN)

**Date:** 10/15/2019

**PCN Number:** PCN-0450780R-01

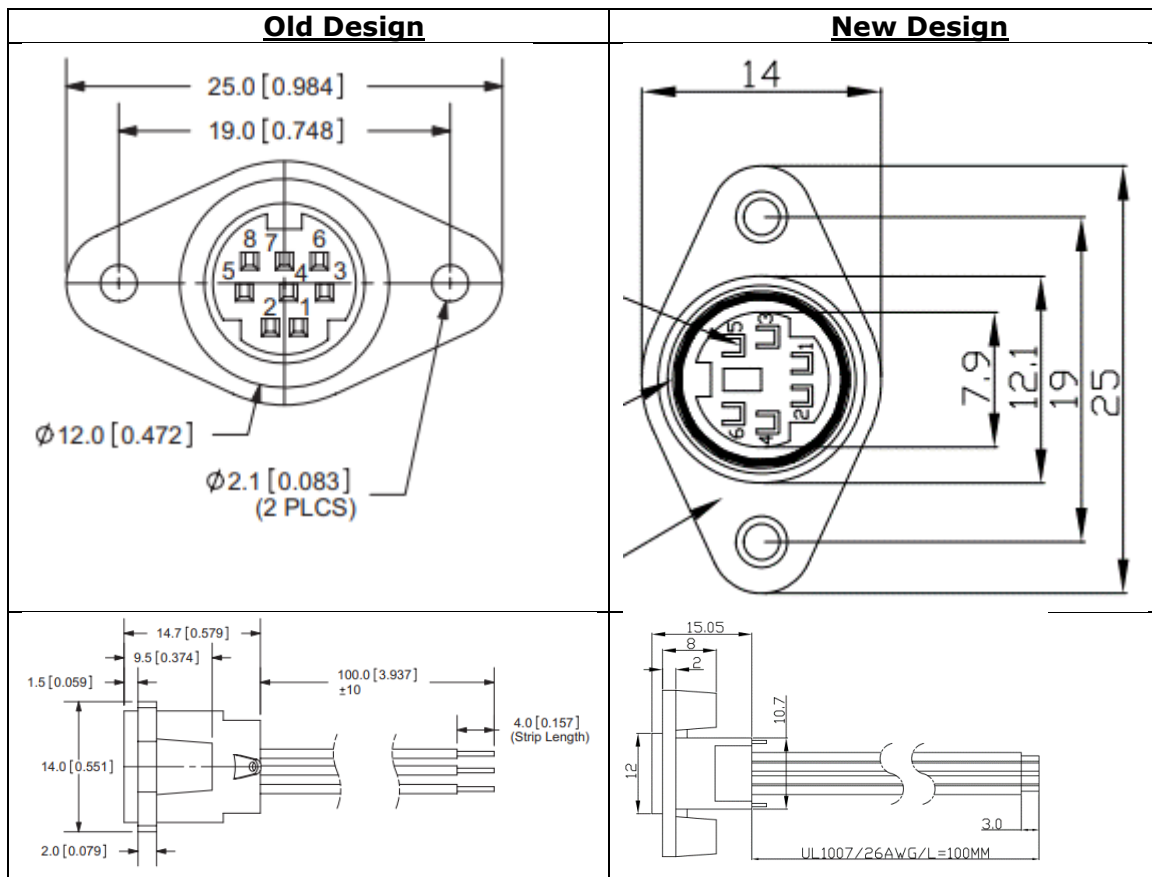
**To Our Customers:**

We appreciate your use of CUI Devices products. Our commitment in maintaining and improving processes is demonstrated by plans to enhance our product quality, reliability and manufacturability. The purpose of this notice is to inform you of a product change.

**Product(s) Affected:** MD-PL100 series (part numbers MD-30PL100, MD-40PL100, MD-50PL100, MD-60PL100, MD-80PL100).

**Reason(s) for Change:** Manufacturing build location change

**Description of Change:** minor housing changes as shown below.



**Affected Date Code:** 11/1/2019

**Product Availability:** currently available

**Additional Information:** none

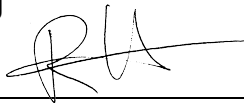
PCN Approval:

Operations/Quality



---

Product Marketing



---