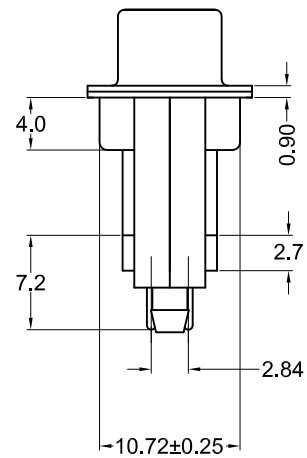
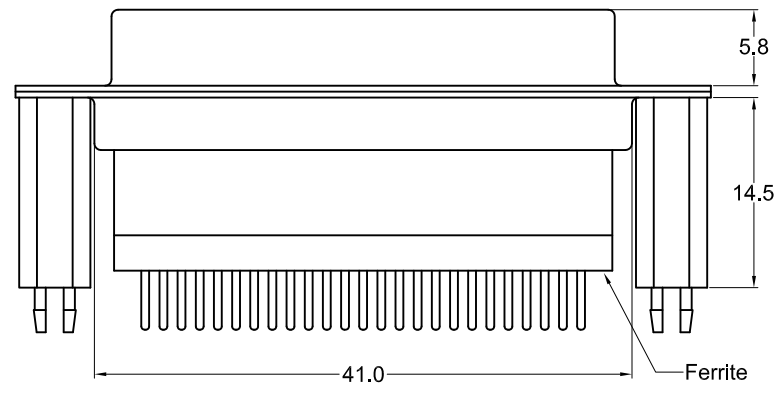


Recommended PCB Layout
(Top View)



Material and Finish

- Shell: Steel, Nickel plated
- Insulator: PBT with glass-fiber reinforcement, UL 94V-0, color-black
- Contact Material: Phosphor Bronze
- Contact Plating Options:
 - Standard: gold flash on mating end, tin on termination end, nickel underplate on entire contact
 - 15 Option: 15u" gold on mating end, tin on termination end, nickel underplate on entire contact
 - 30 Option: 30u" gold on mating end, tin on termination end, nickel underplate on entire contact

Electrical Specifications

- Rated Current: 2A
- Rated Voltage: 30V RMS
- Dielectric Withstanding Voltage: 1000 V (rms) AC for 1 minute
- Insulation Resistance: more than 1000 Megohm at 500 V DC
- Contact Resistance: 13 milliohm Max
- Temperature Rating: -55°C to +105°C

Ordering Information	
Part Number	Contact Area Plating Finish
KF88X-BD-25S-BR	Gold Flash (standard option)
KF88X-BD-25S-BR15	15u" Gold (15 option)
KF88X-BD-25S-BR30	30u" Gold (30 option)

Ferrite Specifications	
Measured Value(OHM)	Test Frequency
20 MIN.	25 MHz.
50 MIN.	100 MHz.



Tolerances
X.X ± 0.25
X.XX ± 0.15
Unless Stated Otherwise

REV.	DATE	DESCRIPTION	REV. BY	CHK. BY	DRAWN BY	DATE
A1	02/03/11	New Drawing	S. Vien	H. MA	S. Vien	06/07/10
A2	12/31/17	ECO #17-035	J. Elbanna	C. Furumasu		

KF88X-BD-25S-BR

Vertical D-Sub, 25 pos. Female
Ferrite, Boardlocks, RoHS Compliant

