

PHYSICAL DIMENSIONS:

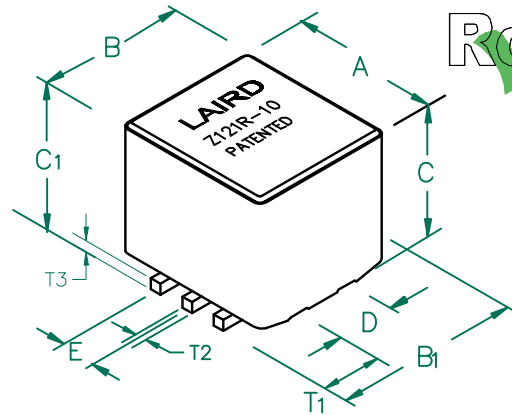
A	11.05	[.435]	+ 0.13	[.005]
B	10.03	[.395]	+ 0.15	[.006]
B ₁	11.05	[.435]	MAX	
C	9.32	[.367]	+ 0.15	[.006]
C ₁	10.49	[.413]	MAX.	
D	4.06	[.160]	+ 0.13	[.005]
E	2.54	[.100]	+ 0.13	[.005]

WIRE:

T ₁	3.56	[.140]	+ 0.25	[.010]
T ₂	0.76	[.030]	TYP.	
T ₃	0.76	[.030]	TYP.	

CM4440Z121R-10

UNCONTROLLED DOCUMENT



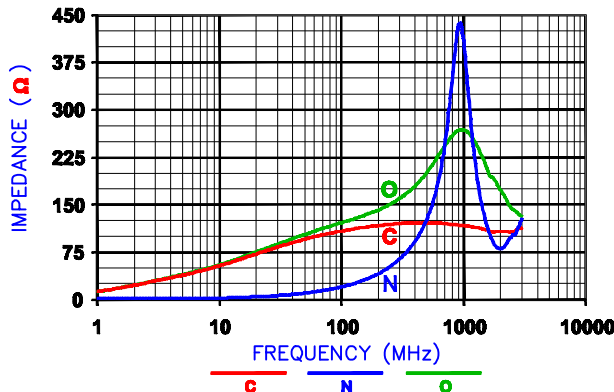
ELECTRICAL CHARACTERISTICS:

Z @ 100MHz (Ω)	DCR (Ω)	Rated Current
Nominal	120	
Minimum	90	
Maximum	-	.001
		20,000mA

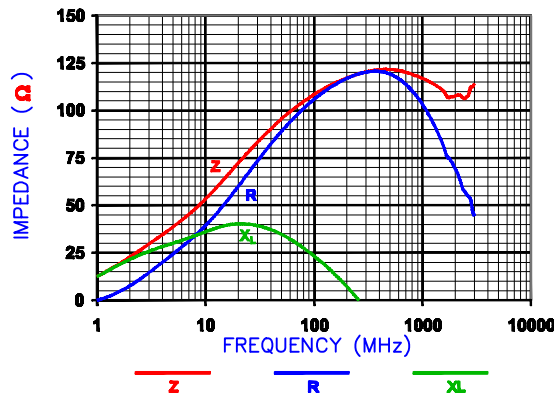
NOTES: UNLESS OTHERWISE SPECIFIED

1. TAPED AND REELED per CURRENT EIA SPECIFICATIONS 13" REELS, 375 PCS/REEL, EMBOSSED PLASTIC TAPE.
2. COMPONENTS SHOULD BE ADEQUATELY PREHEATED BEFORE SOLDERING.
3. TERMINATION FINISH IS 100% TIN.
4. THIS PART HAS NO PIN POLARITY.

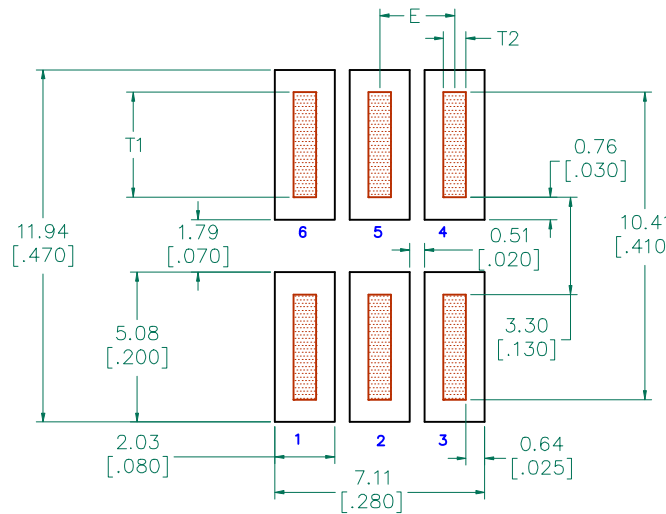
Z vs. FREQUENCY (C,N,O)



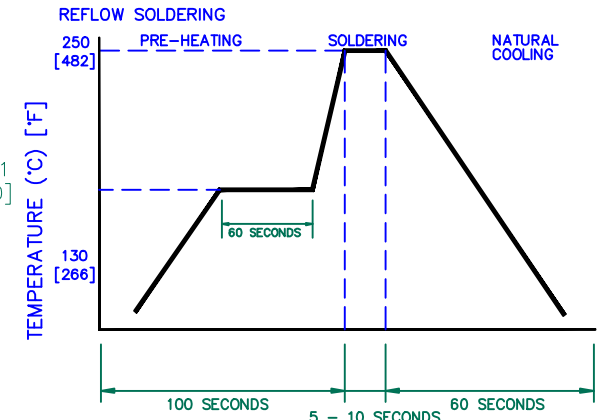
Z, R, XL vs. FREQUENCY



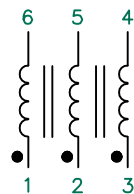
LAND PATTERNS FOR REFLOW SOLDERING



RECOMMENDED SOLDERING CONDITIONS



EQUIVALENT CIRCUIT



DIMENSIONS ARE IN mm [INCHES].

D	UPDATE LOGO AND KAPTON LABEL	11/13/08	JRK	This print is the property of Laird Tech. and is loaned in confidence subject to return upon request and with the understanding that no copies shall be made without the written consent of Laird Tech. All rights to design or invention are reserved.	
C	CORRECT C N O COLORS ON Z VS FREQ	12/07/07	TMB		
B	ADD TAPE & REEL SPEC TO NOTES AND EQUIVALENT CIRCUIT UPDATE CURVES UPDATE NOTE 3 ON SHEET 3of3	08/23/07	TMB		
A	ORIGINAL DRAFT	07/26/07	TMB		
REV	DESCRIPTION	DATE	INT		
PROJECT/PART NUMBER:				CM4440Z121R-10	REV D
DATE:				07/26/07	PART TYPE: ASSEMBLY
SCALE:				NTS	DRAWN BY: TMB
CAD #				CM4440Z121R-10-D-2	SHEET: 2 of 3
TOOL #				-	