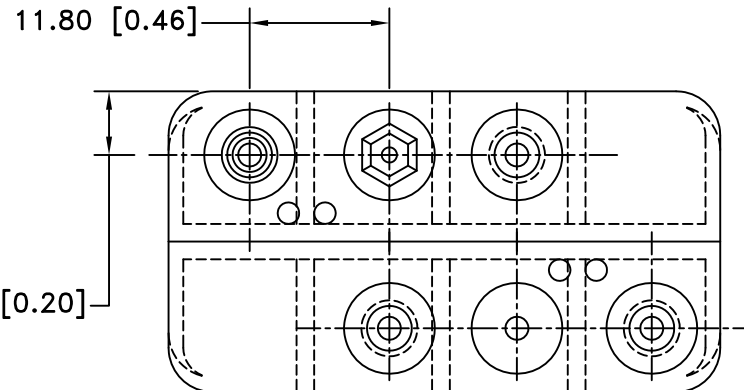
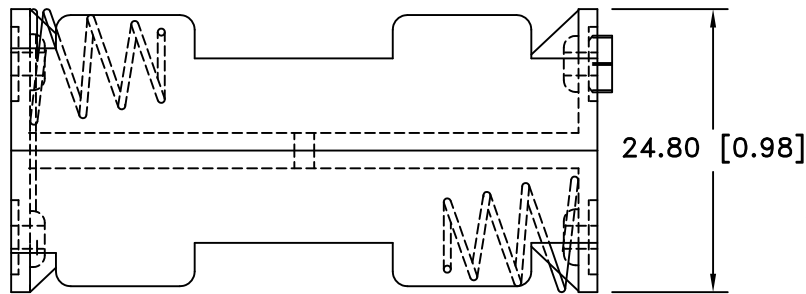


Date	SYM	REVISION RECORD	AUTH	DR.	CK.
03/29/13	D	UPDATED TO "ROHS 2 COMPLIANT"	T.B.	B.S.	
06/14/13	E	UPDATED TITLE	T.B.	B.S.	
07/17/17	F	ADDED MOUNTING INSTRUCTION	T.B.	B.S.	


Mounting Instruction:  
Use 4-40 machine screws.  
also adhesives and double sided tapes work well.



NOTES:

1. MATERIAL:

HOUSING : BLACK POLYPROPYLENE  
 FLAMMABILITY RATING -UL94-HB, UL FILE NO. E216959  
 TEMPERATURE RANGE: -10°C to +100°C  
 RIVETS: BRASS, NICKLE PLTD.  
 SPRING: SPRING STEEL, NICKLE PLTD.  
 9 VOLT SNAPS: BRASS, NICKLE PLTD.  
 CONTACT RESISTANCE: UNDER 50mΩ FOR +/- CONTACTS PER  
 EIA-540J000  
 ROHS 2 COMPLIANT

Tolerance (Except as noted)	 <b>Memory Protection Devices, Inc</b> 200 Broad Hollow Road, Farmingdale, New York 11735	Scale	Drawn By B.S.
			Approved By T.B.
decimal ±.5 (.020)	Title EIGHT "AAA" CELL HOLDER WITH SNAP FASTENERS	Date 07/17/17	Drawing Number BH28AAASF
Fractional ± .8 (.030)			
Angular ± 3°			