



Single Port PoE RJ45

AR11-4511I

- 100/1000 Base T Gigabit for PoE Application
- Compliant with IEEE 802.3af standard
- RJ45 Jack cavity conforms to FCC rules and regulations Part 68, SUB Part F
- Industrial Operating Temp: -40°C +85°C



Electrical Specifications @ 25°C

OCL(μH Min) @100KHz, 0.1V	Turns Ratio (±2%)				Return Loss (dB Min)			
With 8mA DC Bias	P11-P10 : J1-J2	P4-P5 : J3-J6	P3-P2 : J4-J5	P8-P9 : J7-J8	1-30MHz	30-60MHz	60-80MHz	80-100MHz
350	1:1	1:1	1:1	1:1	-18	-16	-12	-10

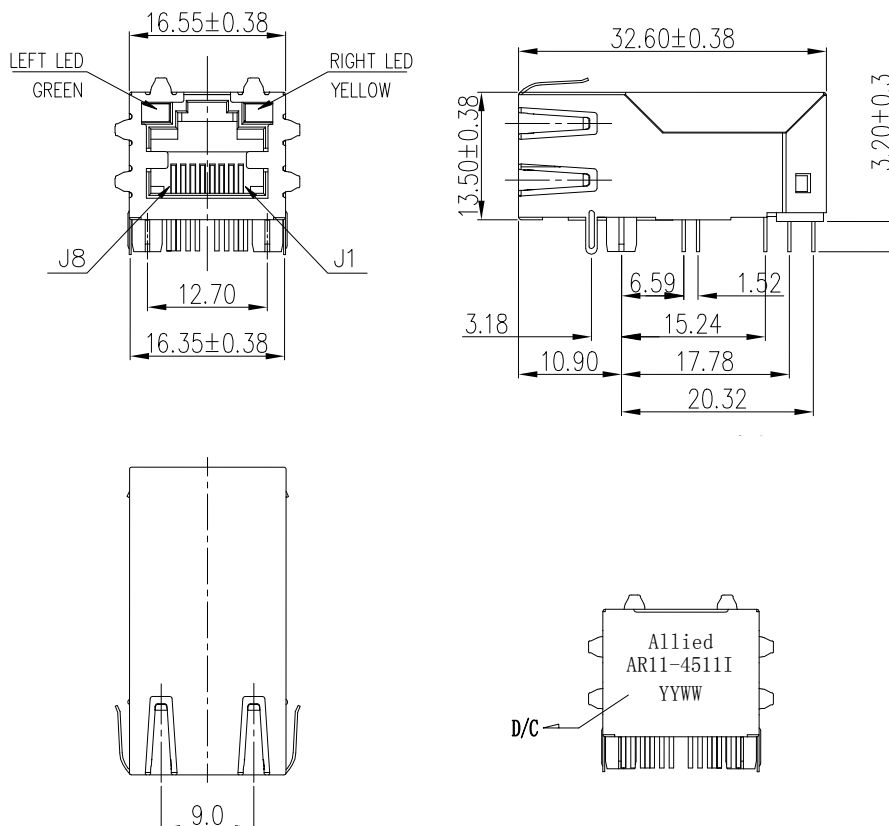
Electrical Specifications @ 25°C

Cross Talk (dB Min)				Insertion Loss (dB Max)		CDMR (dB Typ)	Hi-Pot Input-Output
0.5-10MHz	10-30MHz	30-50MHz	50-100MHz	1-100MHz	100-125MHz	1-100MHz	1500Vrms,1mA,60S
-50	-40	-35	-30	-1.0	-1.1	-30	

All specifications subject to change without notice.

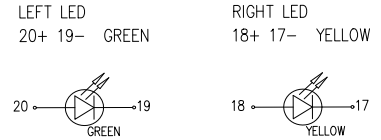
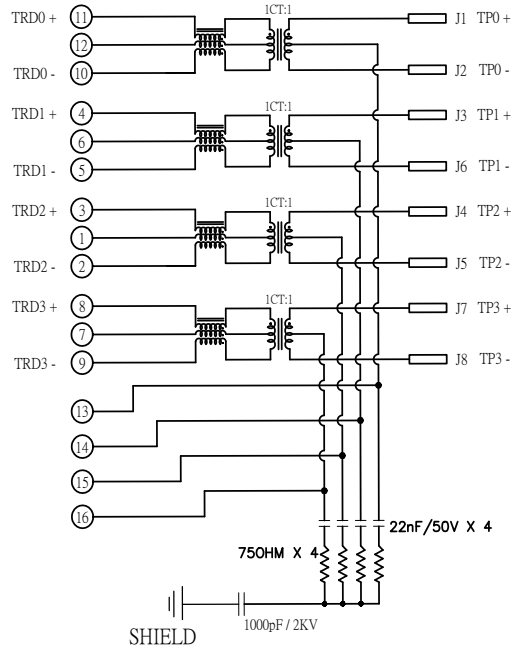
MECHANICAL

Dimensions: (mm)





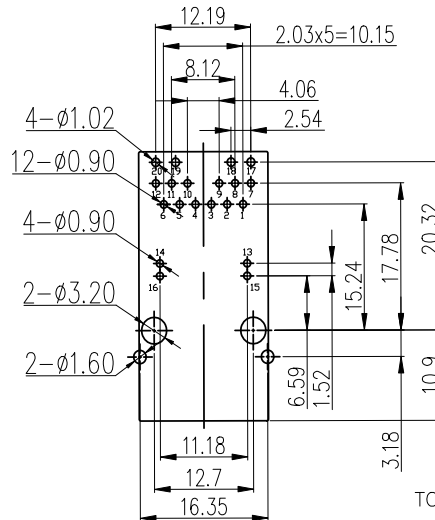
SCHEMATIC



STANDARD LED	WAVELENGTH	FORWARD VOLTAGE
GREEN	565nm	2.5V MAX
YELLOW	585nm	2.5V MAX
ORANGE	615nm	2.5V MAX

With a forward current of 20mA

PCB LAYOUT



TOLERANCE ±0.05mm(T=1.6mm)

NOTES

- Shield:** 0.20mm Thickness Brass C2680H.
Platin Nickel 20µ" Min.
- Housing:** Plastic: Nylon 46, Glass Fiber Filled.
Polyester UL94V-0, Color Black.
- Contact Pin:** Plastic: Nylon 46, Glass Fiber Filled.
Polyester UL94V-0, Color Black.
Pin: 0.35mm Thickness Phosphor Bronze C5210 EH.
Plating: Nickel 30µ" - 60µ" For All And Sn 100%,
And Gold Plating 6µ".
- Insert Pin:** Pin: 0.35 Thickness SUS430
Plating: Sn All Over 30µ" - 60µ" Nickel