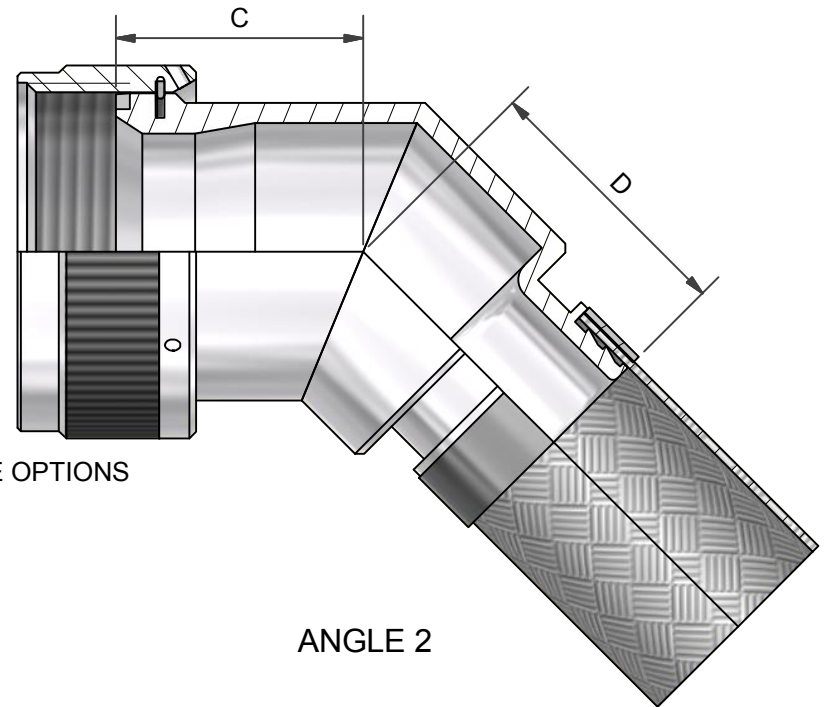
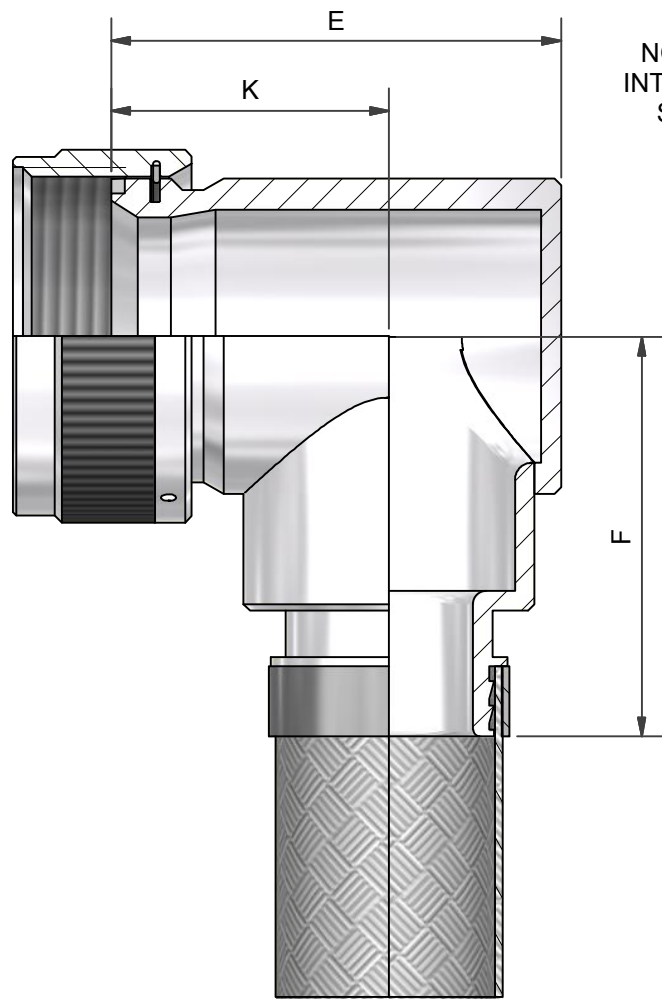


ANGLE 1

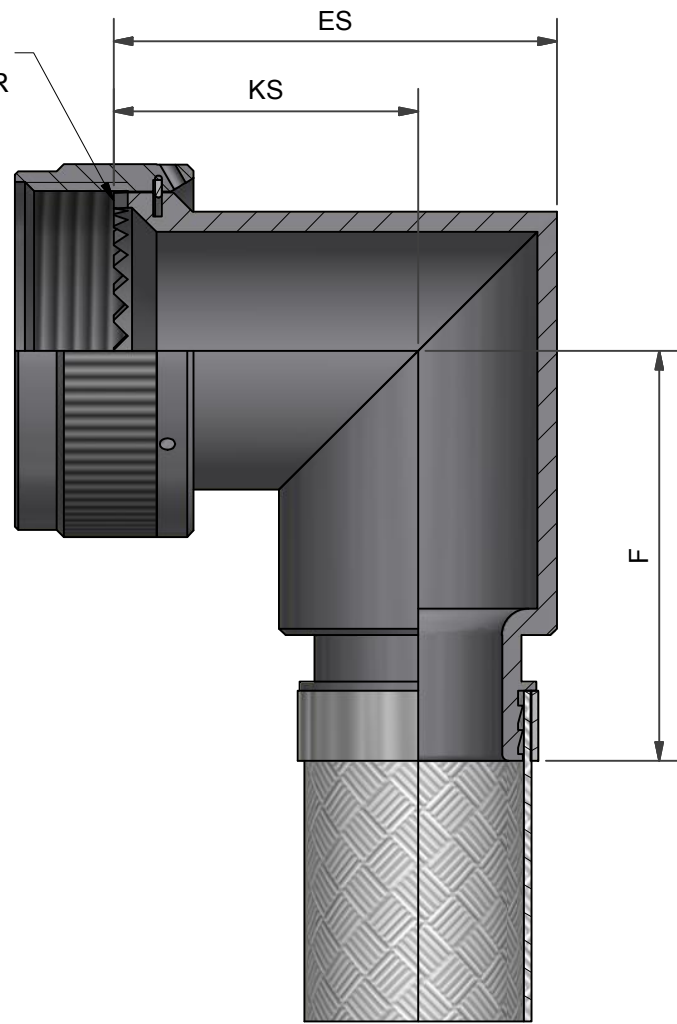


ANGLE 2



ANGLE 3
ALUMINIUM ALLOY

NOTE ALTERNATIVE
INTERFACE STYLE FOR
STAINLESS STEEL



ANGLE 3
STAINLESS STEEL

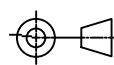
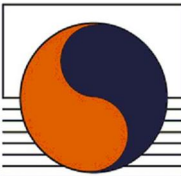

| | | | | | | | | | | | | | |
|------------------|------------------|---------------|----------|---|--|--|--|---|--|--|---|--|--|
| DRAWN | | DATE | |  3RD ANGLE PROJECTION NOT TO SCALE | PART NUMBER: | | |  70A SERIES | | | | | |
| K.WINCZURA | | 10/10/2016 | | | TITLE: | | | | | |  BRAID TAIL BACKSHELL | | |
| DESIGN APPROVAL | | DATE | | UNLESS OTHERWISE SPECIFIED ALL DIMENSIONS IN MILLIMETRES GENERAL TOL LINEAR +/-0,25MM ANGULAR +/- 1° | ASSY USED ON: MIL-CTL-26482 SERIES II/MIL-DTL-83723 | | | POLAMCO LTD, WESTON LOCK, LOWER BRISTOL ROAD BATH BA2 1EP | | | | | |
| K.SHEPPARD | | 31/01/2017 | | | SERIES I & III | | | | | | SHT 1 | | |
| DOC TYPE | Customer Drawing | | MATERIAL | | THIS DRAWING IS COPYRIGHT AND THE PROPERTY OF POLAMCO LTD IT MUST NOT BE COPIED, USED FOR MANUFACTURE OR OTHERWISE DISCLOSED WITHOUT PRIOR WRITTEN CONSENT OF THE COMPANY. | | | | | | | | |
| ISSUE/REV | CA | DCR 6361 | | SEE PART NUMBER BREAKDOWN | | | | | | | | | |
| NCAGE CODE U5792 | | WEIGHT N/A | | FINISH | | | | | | | | | |
| | | | | SEE PART NUMBER BREAKDOWN | | | | | | | | | |

TABLE 1

| SHELL SIZE | A THREAD | ØB MAX | ØB2 MAX | ØT MIN | C ±0,5 | D MAX | E MAX | F MAX | K ±0,5 | L ±0,5 | ES MAX | KS ±0,5 |
|------------|----------------|--------|---------|--------|--------|-------|-------|-------|--------|--------|--------|---------|
| 03 | 9/16-24 UNEF | 17,0 | 19,4 | 6,7 | 16,8 | 26,6 | 26,6 | 24,3 | 17,6 | 25,5 | 26,8 | 16,0 |
| 08 | 1/2-20 UNF | 15,6 | 18,0 | 6,5 | 16,6 | 16,9 | 24,7 | 24,3 | 17,5 | 25,5 | 22,9 | 17,5 |
| 10 | 5/8-24 UNEF | 18,6 | 21,0 | 9,2 | 16,8 | 17,2 | 26,7 | 26,0 | 17,8 | 25,5 | 25,5 | 18,8 |
| 12 | 3/4-20 UNEF | 21,7 | 25,0 | 12,7 | 17,3 | 17,6 | 29,2 | 27,0 | 18,7 | 25,5 | 28,8 | 20,4 |
| 14 | 7/8-20 UNEF | 24,9 | 28,0 | 14,6 | 18,1 | 18,4 | 30,7 | 28,6 | 19,0 | 25,5 | 30,9 | 21,5 |
| 16 | 1-20 UNEF | 28,2 | 31,0 | 17,7 | 19,0 | 19,2 | 34,2 | 30,7 | 21,0 | 25,5 | 34,0 | 23,0 |
| 18 | 1 1/16-18 UNEF | 30,9 | 34,0 | 19,7 | 19,2 | 19,5 | 37,2 | 30,7 | 23,5 | 25,5 | 36,0 | 24,0 |
| 20 | 1 3/16-18 UNEF | 34,1 | 36,5 | 22,9 | 20,1 | 20,3 | 42,2 | 32,5 | 27,0 | 25,5 | 39,3 | 25,7 |
| 22 | 1 5/16-18 UNEF | 37,3 | 39,8 | 26,1 | 20,3 | 20,6 | 44,2 | 34,1 | 27,0 | 25,5 | 42,4 | 27,2 |
| 24 | 1 7/16-18 UNEF | 40,4 | 42,0 | 29,0 | 21,8 | 22,0 | 45,2 | 35,6 | 27,0 | 25,5 | 45,3 | 28,7 |
| 28 | 1 3/4-18 UNS | 50,0 | 49,8 | 34,9 | 23,3 | 22,5 | 54,4 | 39,2 | 31,4 | 36,0 | 51,2 | 31,6 |
| 32 | 2-18 UNS | 56,3 | 57,2 | 41,2 | 25,0 | 24,2 | 62,5 | 42,8 | 36,5 | 40,0 | 60,5 | 33,5 |
| 36 | 2 1/4-16UN | 62,7 | 63,6 | 46,7 | 26,2 | 25,4 | 67,4 | 47,6 | 38,0 | 45,0 | 66,0 | 36,0 |
| 40 | 2 1/2-16UN | 69,0 | 70,0 | 52,1 | 28,6 | 26,6 | 73,4 | 49,8 | 42,0 | 50,5 | 72,5 | 39,3 |
| 44 | 2 3/4-16UN | 75,4 | 75,4 | 58,6 | 30,1 | 28,3 | 79,7 | 53,0 | 46,0 | 50,5 | 76,0 | 40,8 |
| 48 | 3-16 UN | 81,7 | 81,7 | 65,0 | 31,3 | 29,5 | 86,0 | 56,1 | 50,0 | 50,5 | 76,0 | 40,8 |
| 61 | 1 1/2-18 UNEF | 42,0 | 43,6 | 30,1 | 22,1 | 21,9 | 48,0 | 37,1 | 28,0 | 28,0 | 48,8 | 27,0 |

TABLE 2

| ENTRY SIZE | ØG MIN | ØH MAX |
|------------|--------|--------|
| 03 | 4,77 | 13,60 |
| 04 | 6,35 | 13,60 |
| 05 | 7,92 | 13,60 |
| 06 | 9,52 | 18,40 |
| 07 | 11,12 | 18,40 |
| 08 | 12,70 | 18,40 |
| 09 | 14,27 | 18,40 |
| 10 | 15,87 | 24,70 |
| 11 | 17,47 | 24,70 |
| 12 | 19,05 | 24,70 |
| 13 | 20,62 | 24,70 |
| 14 | 22,23 | 31,10 |
| 15 | 23,82 | 31,10 |
| 16 | 25,40 | 31,10 |
| 17 | 26,98 | 33,70 |
| 18 | 28,60 | 33,70 |
| 19* | 30,20 | 36,90 |
| 20** | 31,80 | 42,50 |
| 21** | 33,34 | 42,50 |
| 22** | 35,00 | 42,50 |
| 24* | 38,10 | 42,50 |

TABLE 3

| CODE | MATERIAL / FINISH |
|------|---|
| 1-C | ALUMINIUM / ELECTROLESS NICKEL |
| 1-B | ALUMINIUM / CADMIUM OLIVE DRAB OVER ELECTROLESS NICKEL |
| 1-ZB | ALUMINIUM / ZINC COBALT OLIVE DRAB OVER ELECTROLESS NICKEL |
| 1-ZK | ALUMINIUM / ZINC COBALT BLACK OVER ELECTROLESS NICKEL |
| 1-ZN | ALUMINIUM / ZINC NICKEL BLACK PASSIVATE OVER ELECTROLESS NICKEL |
| 4-J | STAINLESS STEEL / PASSIVATE |

SEE SS0076 FOR FULL RANGE OF FINISH OPTIONS

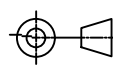


TABLE 4

| SUFFIX | MODIFICATION OPTIONS |
|--------|---------------------------------------|
| -DB | DOUBLE BRAID |
| -N | NICKEL PLATED BRAID |
| -12 | NON-STANDARD BRAID LENGTH (IN INCHES) |

* - NOT AVAILABLE IN DB MODIFICATION
 ** - ADD 2,10 TO F MAX FOR DB MODIFICATION

70A1-16-08-1-C

SERIES _____
 CONNECTOR INTERFACE _____
 ANGLE _____
 SHELL SIZE (TABLE 1) _____
 ENTRY SIZE (TABLE 2) _____
 MATERIAL AND FINISH (TABLE 3) _____
 BRAID TAIL MODIFICATION (SEE TABLE 4) _____
 OMIT FOR STANDARD (6 INCH SINGLE LAYER TINNED COPPER)

| | | | | | | | | | | | | | | | | |
|-----------------|------------------|------------|------|---|--|--|------------------------------|--|--|---|---|--|-----------------|--|--|--|
| DRAWN | | DATE | |  3RD ANGLE PROJECTION NOT TO SCALE | PART NUMBER: | | |  70A SERIES | | | | | | | | |
| K.WINCZURA | | 10/10/2016 | | | TITLE: | | | | | | BRAID TAIL BACKSHELL | | | | | |
| DESIGN APPROVAL | | DATE | | UNLESS OTHERWISE SPECIFIED ALL DIMENSIONS IN MILLIMETRES GENERAL TOL LINEAR +/-0,25MM ANGULAR +/- 1° | | | | ASSY USED ON: MIL-CTL-26482 SERIES II/MIL-DTL-83723 SERIES I & III | | | | | |  TE | | |
| K.SHEPPARD | | 31/01/2017 | | | THIS DRAWING IS COPYRIGHT AND THE PROPERTY OF POLAMCO LTD IT MUST NOT BE COPIED, USED FOR MANUFACTURE OR OTHERWISE DISCLOSED WITHOUT PRIOR WRITTEN CONSENT OF THE COMPANY. | | | | | | POLAMCO LTD, WESTON LOCK, LOWER BRISTOL ROAD BATH BA2 1EP | | | | | |
| DOC TYPE | Customer Drawing | | | | | | | | | | | | | | | |
| ISSUE/REV | CA | DCR | 6361 | NCAGE CODE U5792 | | | DRAWING NO: P11203 | | | | | | | | | |
| WEIGHT | | N/A | | | | | | | | POLAMCO LTD, WESTON LOCK, LOWER BRISTOL ROAD BATH BA2 1EP | | | SHT 2 | | | |