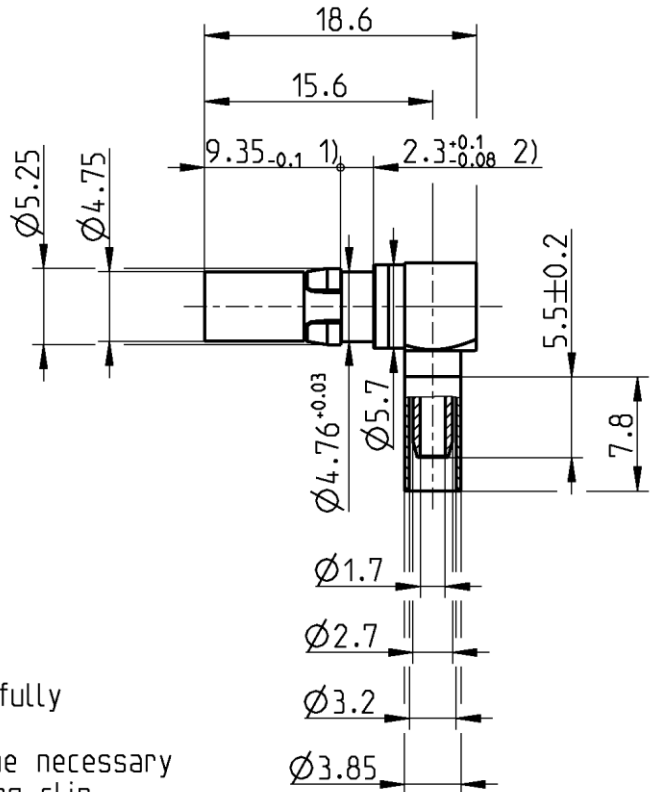
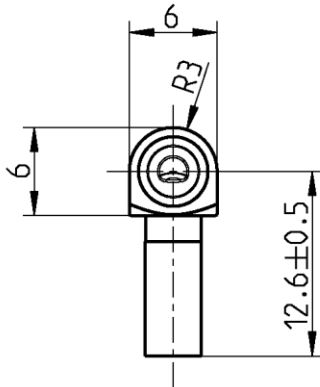


Insert Coax
1.0-2.3
DIN 41626

Right Angle Plug

45S201-302L5



- 1) Measured when retaining clip is fully pushed towards contact area.
- 2) The border dimension includes the necessary axial misalignment of the retaining clip.

All dimensions are in mm; tolerances according to ISO 2768 m-H

Interface

According to DIN 41626-T2, BS 9525 F0011

Documents

Assembly instruction 55 B

Material and plating

Connector parts

Center contact	CuBe	AuroDur®, gold plated
Outer contact	CuBe	AuroDur®, gold plated
Body	Brass	Gold, 0.1 µm min.
Clip	CuBe	Nickel, 2.5-5 µm
Dielectric	PTFE	
Crimping ferrule	Copper	Gold, 0.1 µm min.

Technical Data Sheet

Rosenberger

Insert Coax
1.0-2.3
DIN 41626

Right Angle Plug

45S201-302L5

Electrical data

Impedance	50 Ω
Frequency	DC to 2 GHz
Return loss	≥ 20 dB
Insertion loss	≤ 0.05 x √f(GHz) dB
Insulation resistance	≥ 200 MΩ
Center contact resistance	≤ 10 mΩ
Outer contact resistance	≤ 3 mΩ
Test voltage	750 V rms
Working voltage	250 V rms
RF-leakage	≥ 80 dB up to 0.5 GHz ≥ 65 dB up to 1.5 GHz

- Limitations are possible due to the used cable type -

Mechanical data

Mating cycles	≥ 500
Center contact captivation	≥ 10 N
Connector captivation in plastic	≥ 52 N
Engaging and disengaging force	≤ 10 N

Environmental data

Temperature range	-55°C to +125°C
Climatic class	IEC 60068-2-1 55/125/21 IEC 60068-2-2 IEC 60068-2-3
RoHS	compliant

Tooling

Crimping tool	11W150-000
Crimp insert	11W150-102

Suitable cables

RG 316 /U, RG 174 A/U, RG 188 A/U

Weight

Weight	2.5 g/pce
--------	-----------

While the information has been carefully compiled to the best of our knowledge, nothing is intended as representation or warranty on our part and no statement herein shall be construed as recommendation to infringe existing patents. In the effort to improve our products, we reserve the right to make changes judged to be necessary.

For the installation of the electrotechnical equipment, particular electrotechnical expertise is required.



Draft	Date	Approved	Date	Rev.	Engineering change number	Name	Date
Inge Mühlauer	13.09.04	Chr. Janßen	01.12.20	c00	20-1927	S. Huber-Siegl	01.12.20
Rosenberger Hochfrequenztechnik GmbH & Co. KG P.O.Box 1260 D-84526 Tittmoning Germany http://www.rosenberger.com/				Tel. : +49 8684 18-0 Email : info@rosenberger.com			Page 2 / 2