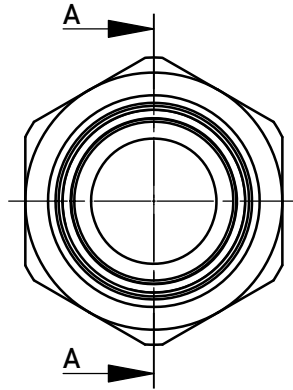
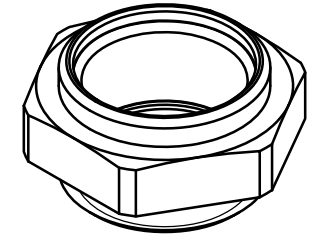
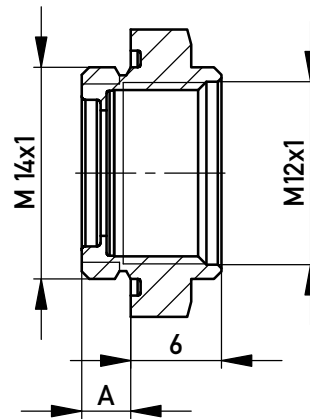


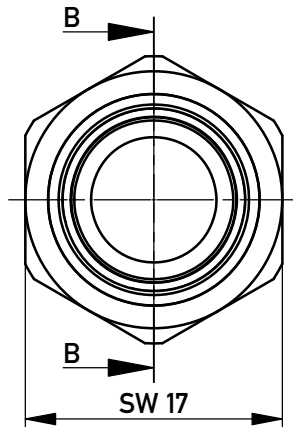
394828



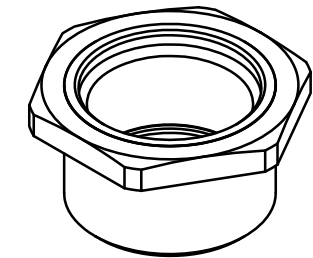
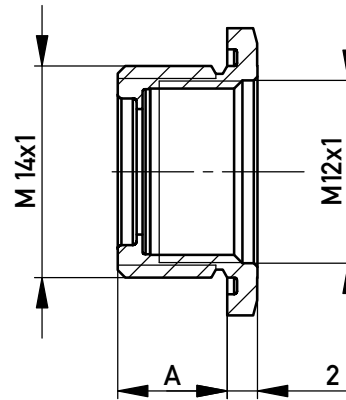
Schnitt A-A



394847



Schnitt B-B



394847	7,25	Abstand : 13 mm / distance 13 mm
394828	3,25	Abstand : 9 mm / distance 9mm
Id.-Nr.:	Maß A	Bemerkung

Copyright by ERNI GmbH
Proprietary notice pursuant to ISO 16016 to be observed.

Information:		Tolerances	Scale 2:1
<p>All rights reserved. Only for Information. To ensure that this is the latest version of this drawing, please contact one of the ERNI companies before using.</p>		 All Dimensions in mm	<p>Designation</p> <p>M12 Gehäuseteil für Federleiste M12 / CAT6A</p>
<p>www.ERNI.com</p>		<p>394848</p>	<p>1 A4</p>
Index	Date 26.08.2010	Class	MRDEZT