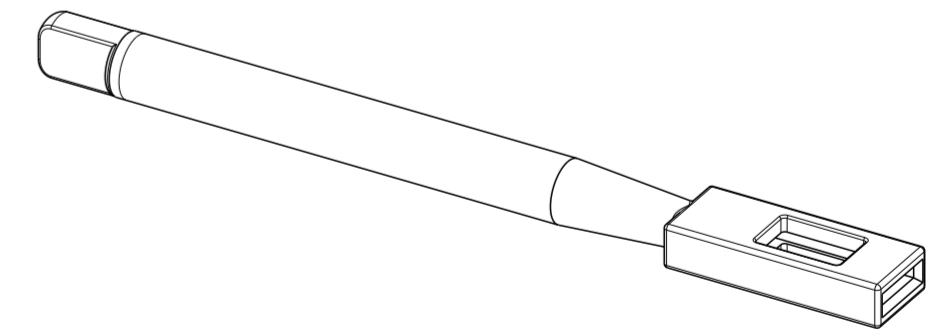
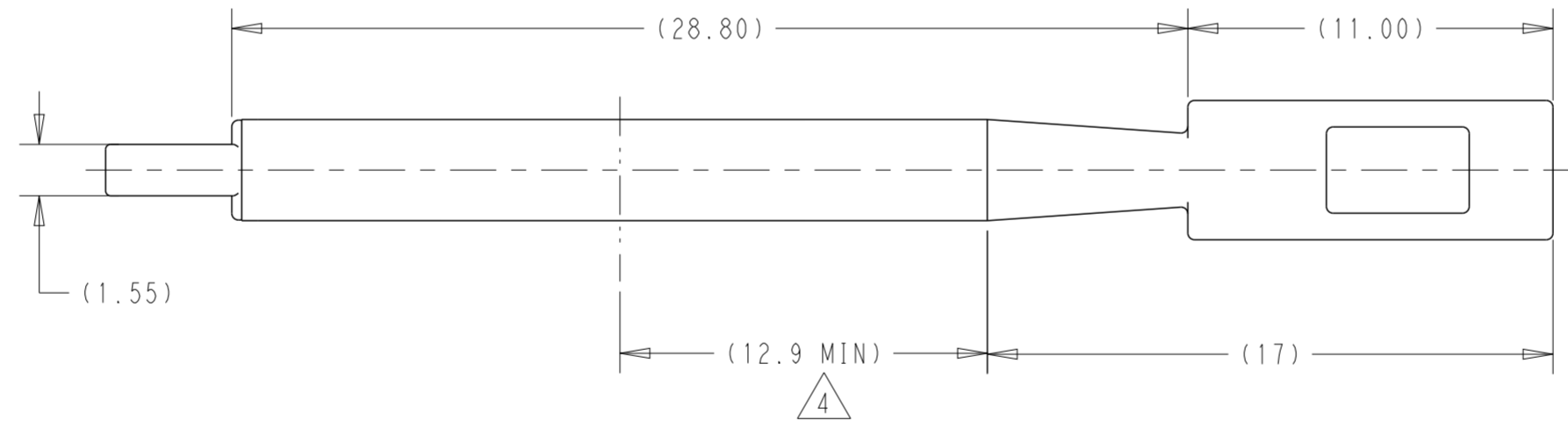
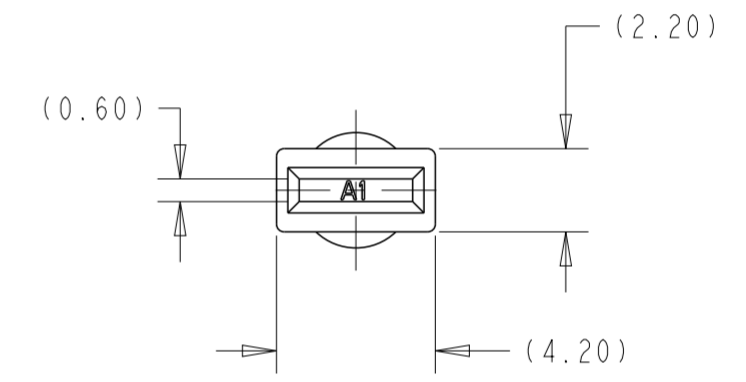
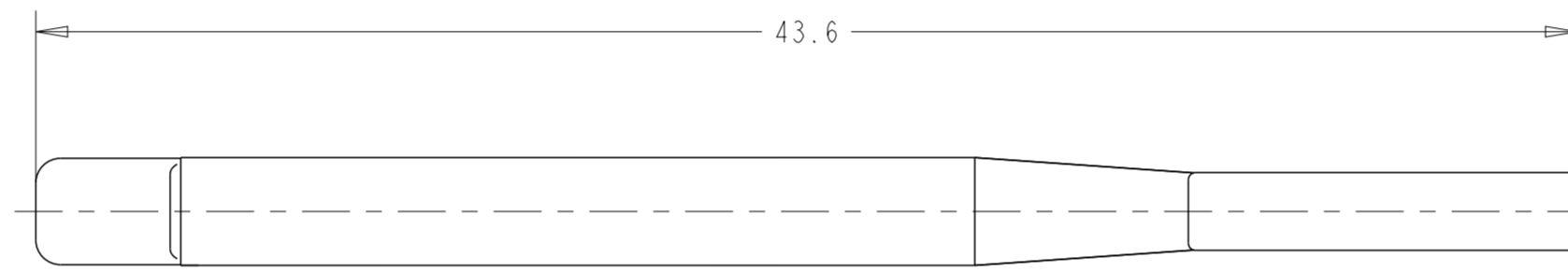
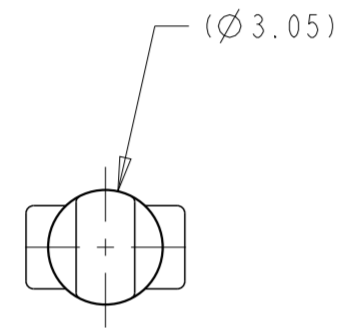


P	LTR	DESCRIPTION	DATE	DWN	APVD
A		REVISED PER ECO-20-017096	04DEC2020	AB	DW

1. PART NUMBER 2373242-1 AS SHOWN ON DRAWING.
2. MATERIAL: PBT, 15% GLASS FILLED.
COLOR: SEE TABLE
3. NOTE DELETED.
4. SEAL SURFACE IN THIS AREA.



ISO VIEW
SCALE 3:1

NATURAL	CAVITY PLUG, MAT SEAL, 2.8 APEX MALE	2373242-1
COLOR	DESCRIPTION	PART NO

THIS DRAWING IS A CONTROLLED DOCUMENT.		DWN A. BETGAR 28 JUL 2020	TE Connectivity																						
		CHK D. WISSLER 29 JUL 2020																							
		APVD D. BROWN 30 JUL 2020	NAME CAVITY PLUG, MAT SEAL, 2.8 APEX MALE																						
DIMENSIONS: mm		TOLERANCES UNLESS OTHERWISE SPECIFIED:		PRODUCT SPEC																					
<table border="0"> <tr><td>0 PLC</td><td>±</td><td>-</td></tr> <tr><td>1 PLC</td><td>±</td><td>0.4</td></tr> <tr><td>2 PLC</td><td>±</td><td>0.20</td></tr> <tr><td>3 PLC</td><td>±</td><td>-</td></tr> <tr><td>4 PLC</td><td>±</td><td>-</td></tr> <tr><td>ANGLES</td><td>±</td><td>1°</td></tr> <tr><td>FINISH</td><td>-</td><td>-</td></tr> </table>		0 PLC	±	-	1 PLC	±	0.4	2 PLC	±	0.20	3 PLC	±	-	4 PLC	±	-	ANGLES	±	1°	FINISH	-	-	APPLICATION SPEC		RESTRICTED TO
0 PLC	±	-																							
1 PLC	±	0.4																							
2 PLC	±	0.20																							
3 PLC	±	-																							
4 PLC	±	-																							
ANGLES	±	1°																							
FINISH	-	-																							
MATERIAL		WEIGHT		SIZE																					
		-		A2																					
		CUSTOMER DRAWING		CAGE CODE																					
				00779																					
		SCALE		DRAWING NO																					
		5:1		G-2373242																					
		SHEET		REV																					
		1 OF 1		A																					