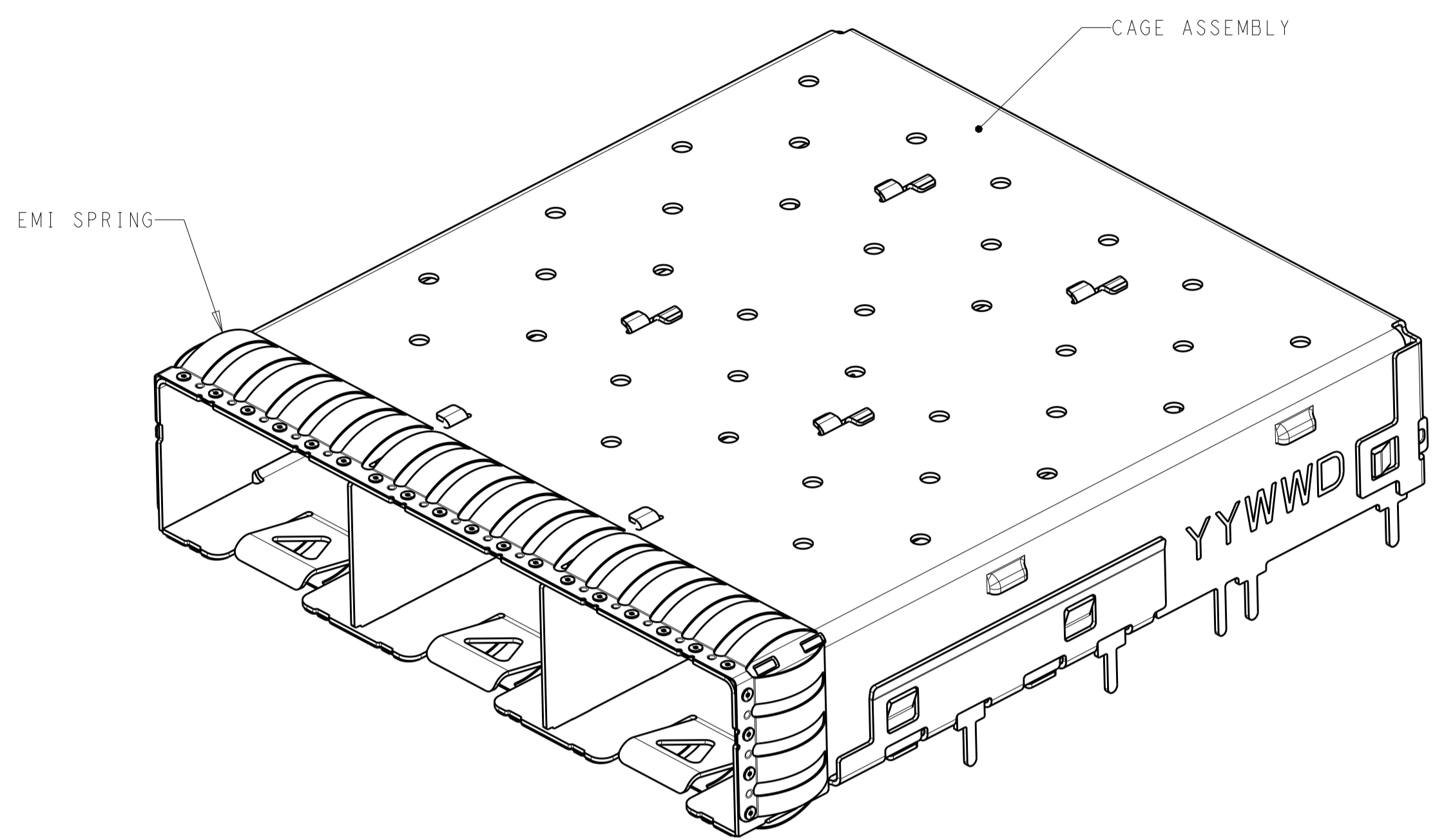
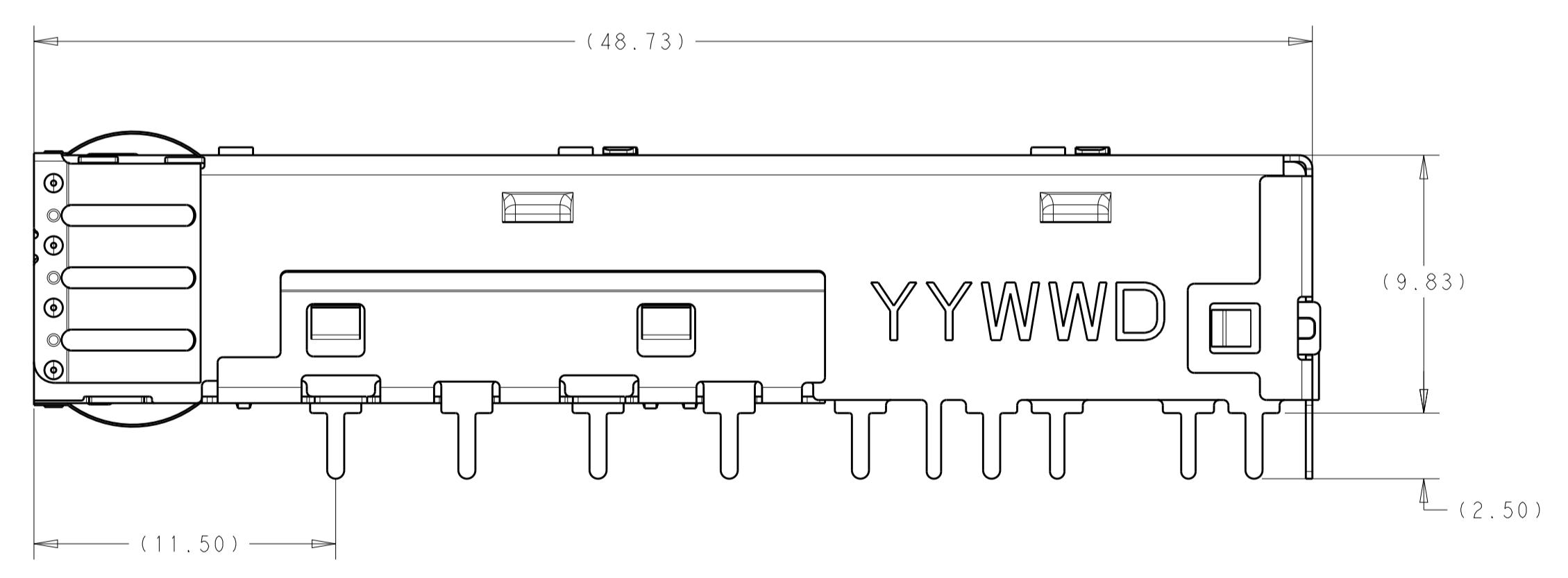
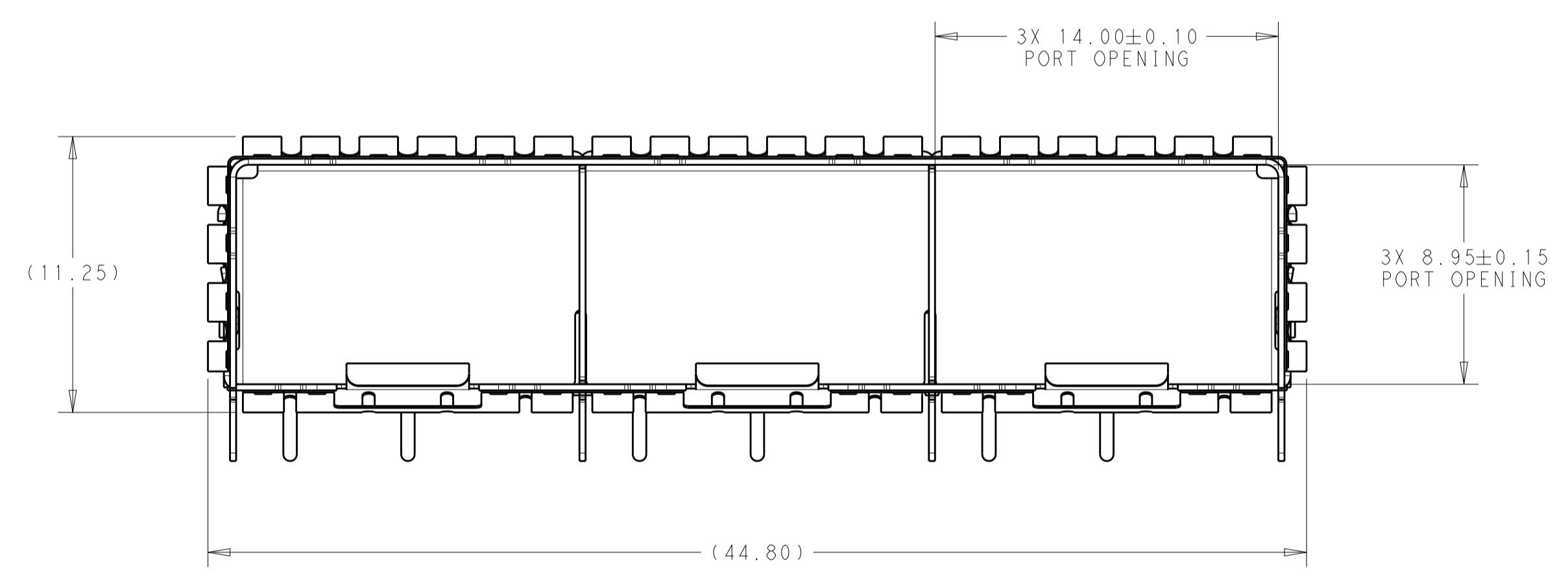


REVISIONS				
P	LTN	DESCRIPTION	DATE	OWN APVD
1		PRELIMINARY	25JAN2019	IT SH



2350203-1 AS SHOWN

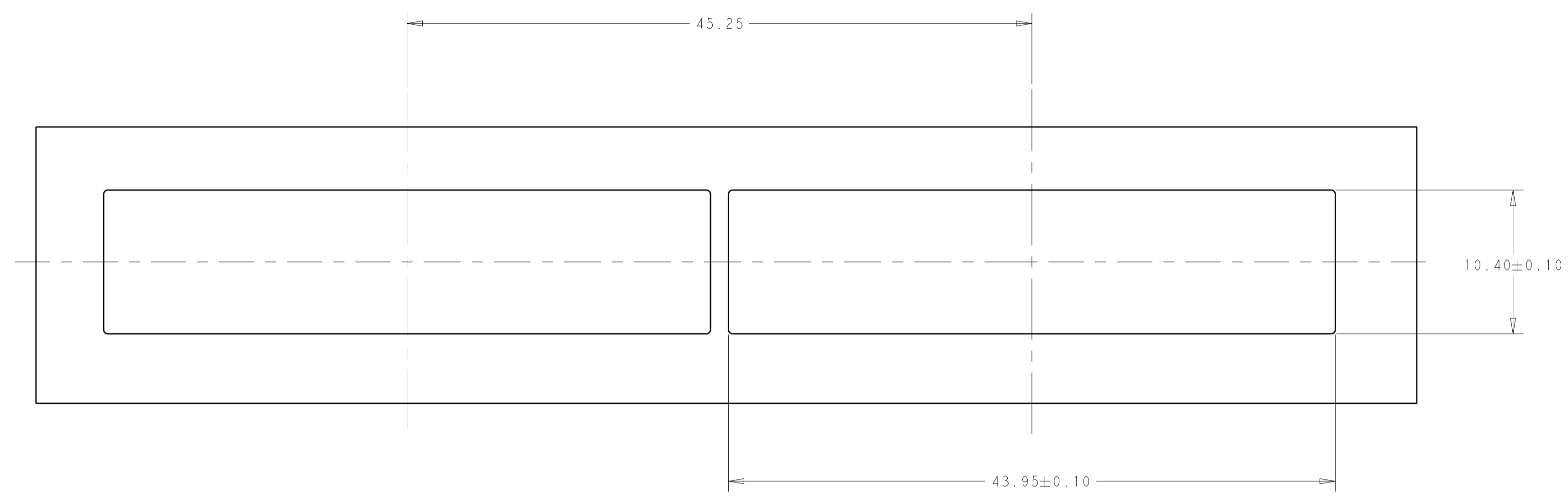
- 1 MATERIAL:
CAGE ASSEMBLY: STAINLESS STEEL, 0.25MM THICK
EMI SPRINGS: PHOSPHOR BRONZE, NICKEL PLATED
- 2 MINMUM PC BOARD THICKNESS:
SINGLE SIDED: 1.45MM
- 3 PADS AND VIAS CHASSIS GROUN
- 4 DATUM AND BASIC DIMENSION ESTABLISHED BY CUSTOMER
- 5. MATES WITH SFP MSA COMPLIANT TRANSCEIVERS
- 6. INTERPRETATION OF DATUM REFERENCE FRAME IN ACCORDANCE WITH SECT 4.4.1.1 OF ASME Y14.5M-1994
- 7 REFERENCE APPLICATION SPEC. 114-13120, HOLE A, FOR RECOMMENDED DRILL HOLE DIAMETER AND PLATING THICKNESS
- 8 REFERENCE APPLICATION SPEC. 114-13120, HOLE B, FOR RECOMMENDED DRILL HOLE DIAMETER AND PLATING THICKNESS
- 9 HOLE PATTERN REPEATS FOR EACH PORT, SPACING BETWEEN PORTS IS 14.25mm
- 10. PRODUCT COMPLIES WITH SPECIFICATION SFF-8433, IMPROVED PLUGGABLE FORMFACTOR FOR SFP+ GANGED CAGES



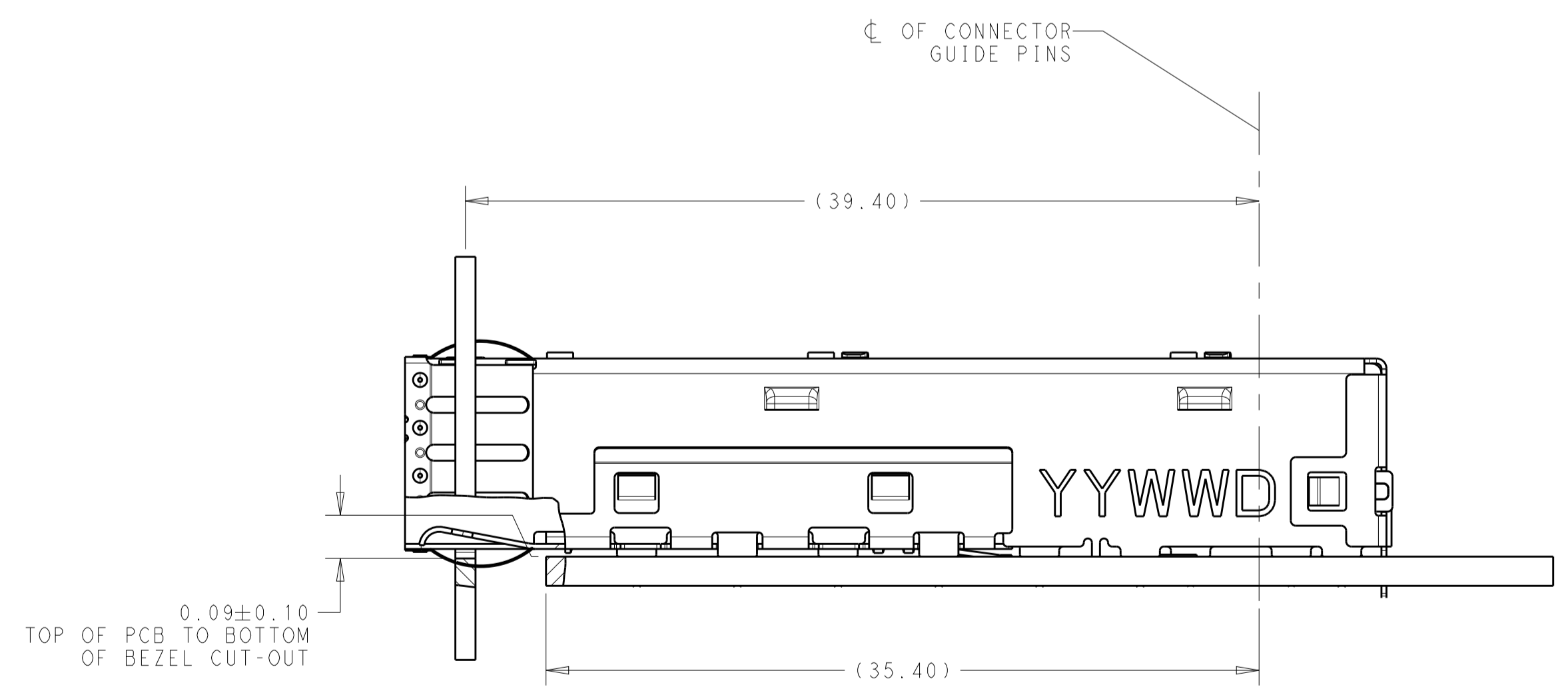
1	2350203-1
MATERIAL	PART NUMBER

THIS DRAWING IS A CONTROLLED DOCUMENT.		OWN: IVAN TIAN 14JAN2019	TE Connectivity
DIMENSIONS: mm		CHK: SEAN HAN 14JAN2019	
TOLERANCES UNLESS OTHERWISE SPECIFIED:		APVD: SEAN HAN 14JAN2019	
0 PLC ± 1 PLC ±0.25 2 PLC ±0.15 3 PLC ± 4 PLC ± ANGLES ±1° FINISH		NAME: 1X3 ZSFP+ CAGE ASSEMBLY PRODUCT SPEC: 108-2364 APPLICATION SPEC: 114-13120 WEIGHT: - CUSTOMER DRAWING	
MATERIAL		SIZE: A107799	CAGE CODE: C=2350203 DRAWING NO: 2350203-1 RESTRICTED TO: - SCALE: 2:1 SHEET 1 OF 3 REV 1

REVISIONS				
P.	LTN	DESCRIPTION	DATE	APVD
-		SEE SHEET 1	-	-



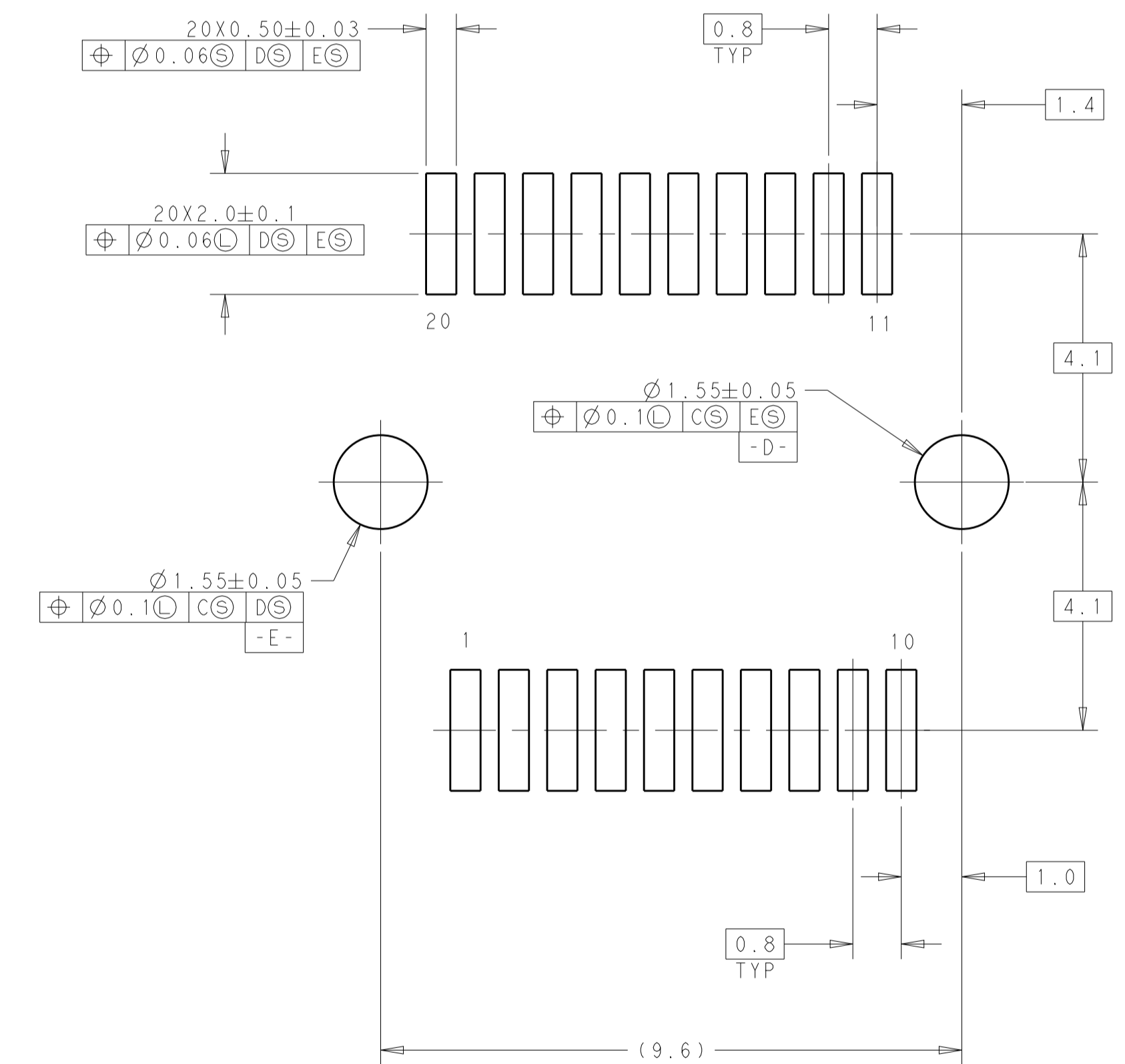
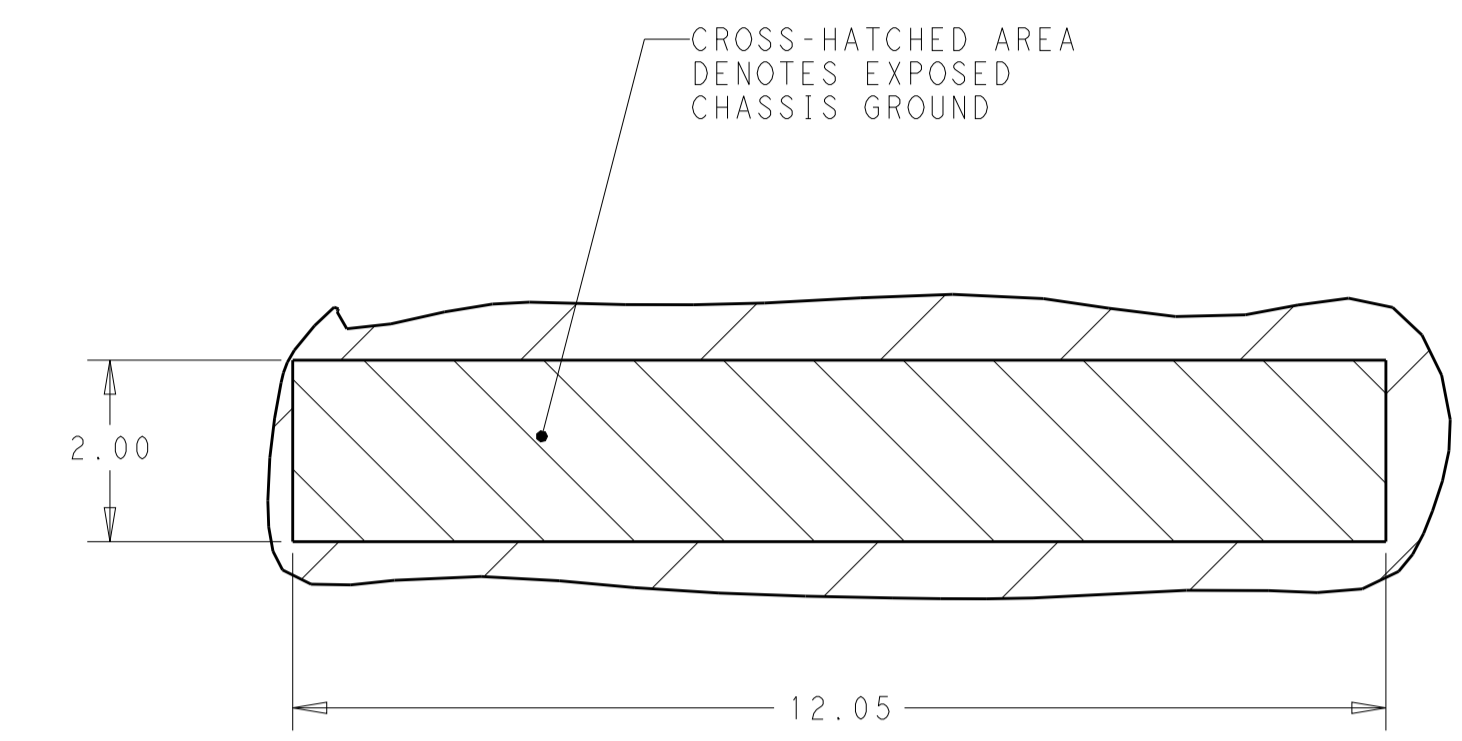
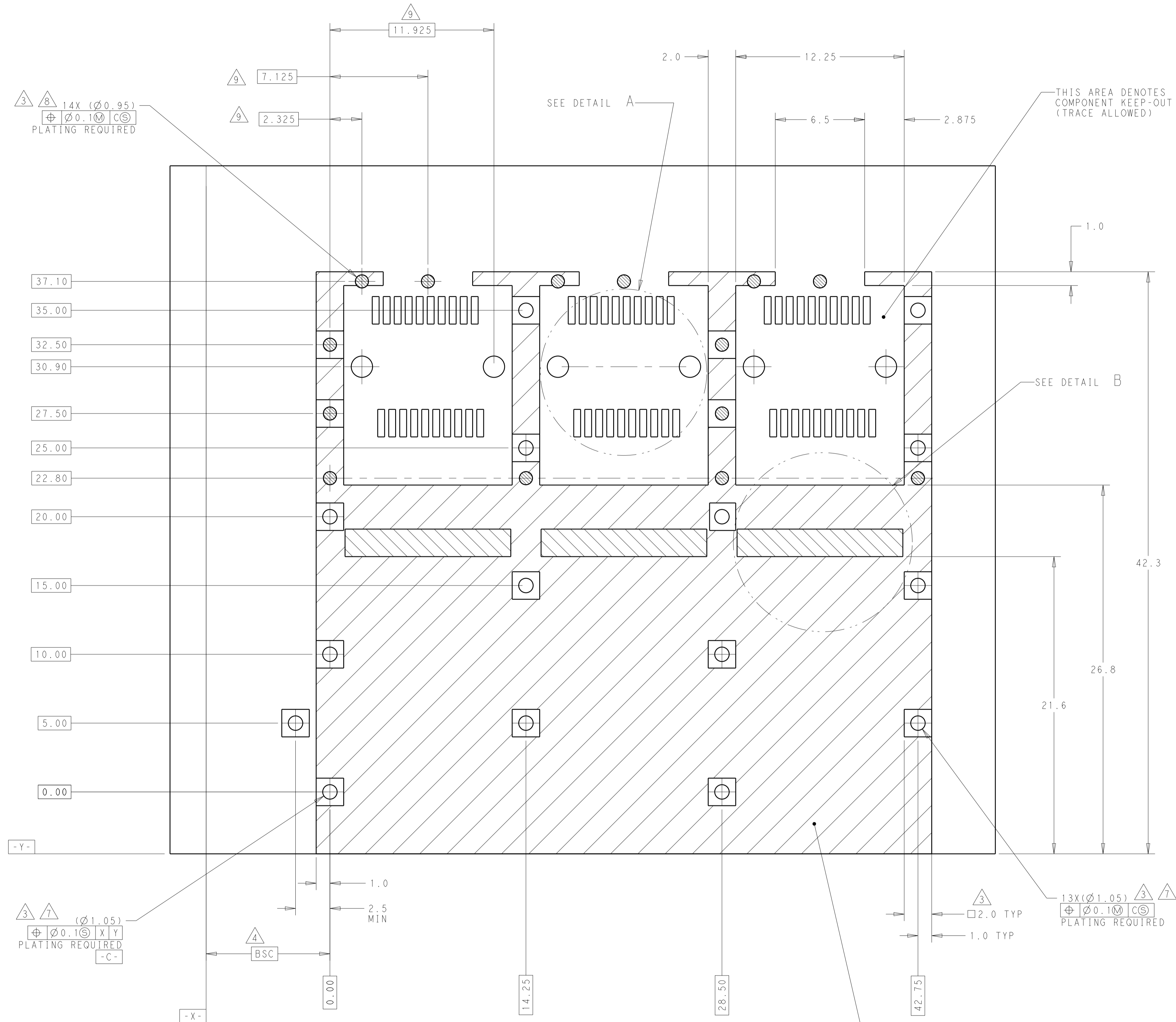
RECOMMEDED BEZEL CUT-OUT
 SINGLE SIDED APPLICATION
 SCALE 4:1



MOUNTED ON PC BOARD
 SHOWN THRU RECOMMEDED BEZEL
 SCALE 4:1

THIS DRAWING IS A CONTROLLED DOCUMENT.		OWN: IVAN TIAN 14JAN2019	STE TE Connectivity
DIMENSIONS: mm		CHK: SEAN HAN 14JAN2019	
TOLERANCES UNLESS OTHERWISE SPECIFIED:		APVD: SEAN HAN 14JAN2019	NAME: 1X3 ZSFP+ CAGE ASSEMBLY
0 PLC ±	1 PLC ±0.25	PRODUCT SPEC	SOLDER TAIL
2 PLC ±0.15	3 PLC ±	108-2364	WITH EXTERNAL EMI SPRING
4 PLC ±	ANGLES ±1°	APPLICATION SPEC	RESTRICTED TO
MATERIAL:	FINISH:	114-13120	SIZE: CAGE CODE DRAWING NO
		WEIGHT:	A107799C=2350203
		CUSTOMER DRAWING	SCALE: 2:1 SHEET 2 OF 3 REV 1

REVISIONS				
P.	LTN.	DESCRIPTION	DATE	APPD.
-	-	SEE SHEET 1	-	-



RECOMMENDED PCB CONFIGURATION WITH KEEP-OUT AREAS SINGLE SIDED APPLICATION SCALE 4:1

CROSS-HATCHED AREA DENOTES COMPONENT AND TRACE KEEP-OUT (EXCEPT CHASSIS GROUND)

DETAIL A RECOMMENDED PT CONNECTOR LAYOUT 3X INDIVIDUALLY

THIS DRAWING IS A CONTROLLED DOCUMENT.		OWN: IVAN TIAN 14JAN2019	TE Connectivity
DIMENSIONS: mm		CHK: SEAN HAN 14JAN2019	
TOLERANCES UNLESS OTHERWISE SPECIFIED:		APPD: SEAN HAN 14JAN2019	NAME: 1X3 ZSFP+ CAGE ASSEMBLY SOLDER TAIL WITH EXTERNAL EMI SPRING
0 PLC ±0.25	1 PLC ±0.15	PRODUCT SPEC: 108-2364	SIZE: CAGE CODE DRAWING NO: A107799C=2350203
2 PLC ±0.15	3 PLC ±0.15	APPLICATION SPEC: 114-13120	RESTRICTED TO: -
4 PLC ±0.15	ANGLES ±1°	WEIGHT: -	SCALE: 2:1 SHEET 3 OF 3 REV 1
MATERIAL: -	FINISH: -	CUSTOMER DRAWING	