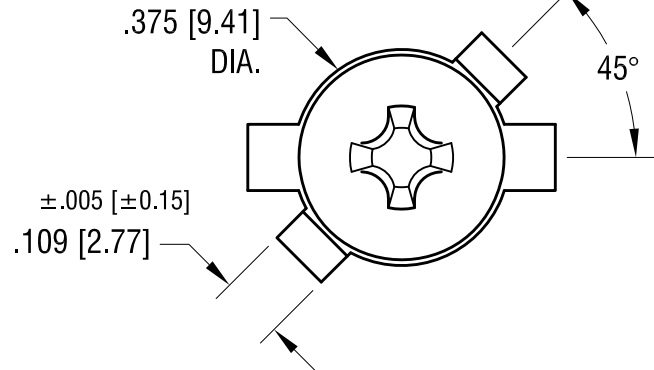
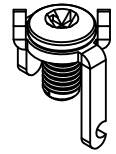
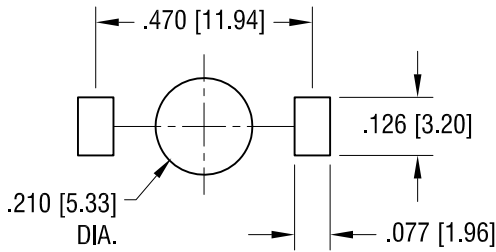
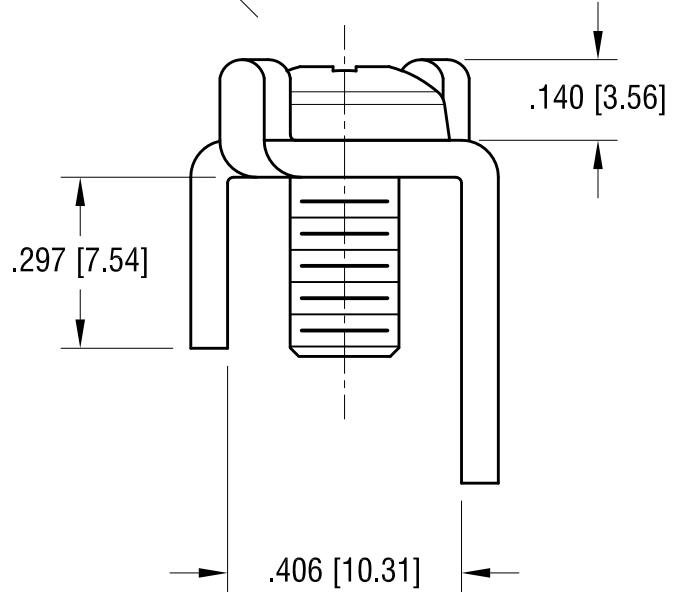
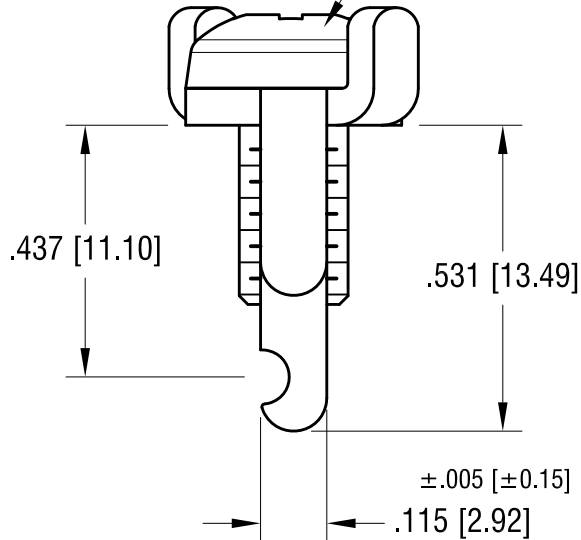


THIS DOCUMENT IS THE PROPERTY OF  
KEYSTONE ELECTRONICS CORP. AND  
SHALL NOT BE REPRODUCED, DISTRIBUTED  
OR USED AS A BASIS FOR MANUFACTURE  
WITHOUT PRIOR WRITTEN PERMISSION  
FROM KEYSTONE ELECTRONICS CORP.

**MOUNTING DETAIL**



10-32 x 3/8 L.  
SCREW



**NOTES:**

- 1. TERMINAL:  
MAT'L - .064 [1.63] TH'K BRASS, MATTE TIN PLATE
- 2. SCREW:  
MAT'L - STAINLESS STEEL

10.09.20	WAS COMBINATION HEAD SCREW MAT'L STEEL, NICKEL PLAT CHANGE AS PER ECN 20-084	E
7.15.09	CHANGE AS PER ECN 09-102	D
1.21.08	CHANGE AS PER ECN 08-053	C
DATE	DESCRIPTION	REV.

<b>KEYSTONE ELECTRONICS CORP.</b>			
www.keyelco.com • NEW HYDE PARK, NY 11040 • Tel (516) 328-7500			
PART NAME		SCREW TERMINAL	
MATERIAL		AS NOTED	
FINISH		DRN BY	DATE
AS NOTED		BOONE	6.11.91
TOLERANCES		APP'D	SCALE
INCH [MM]		RH	3X
DECIMAL ±.010 [±0.25]		DWG NO.	
ANGULAR ± 2°		1283	
UNLESS OTHERWISE SPECIFIED		C	