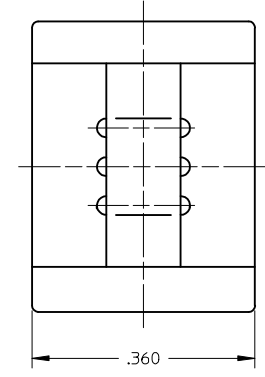
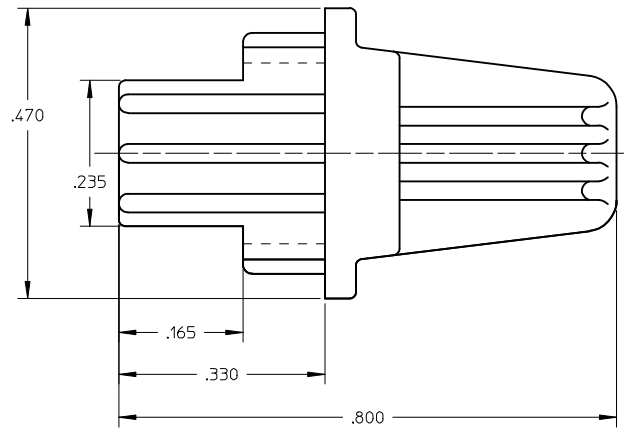
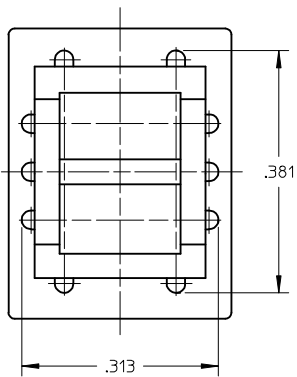


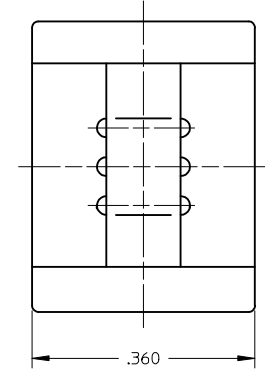
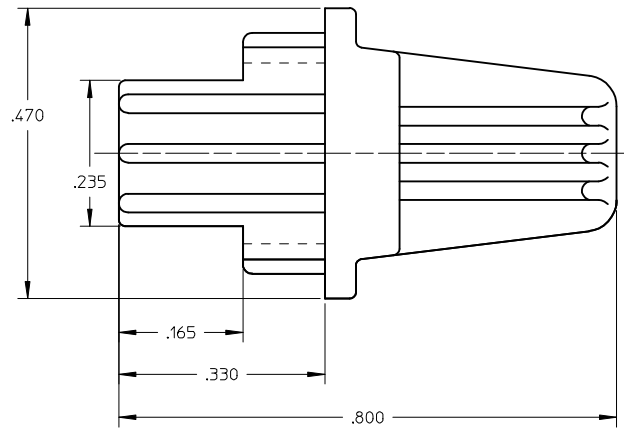
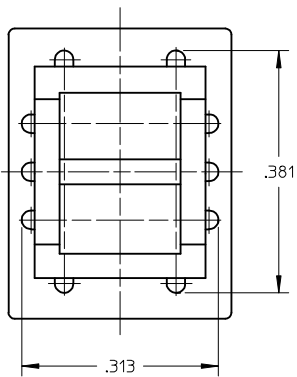
10	P/N OF DUST CAP	COLOR
9	106170-0004	BLACK
8	106170-0005	YELLOW



- NOTES:
1. ALL DIMENSIONS ARE FOR REFERENCE ONLY.
 2. MATERIAL - SATURATED STYRENIC BLOCK COPOLYMER (SEBS)
FLAMMABILITY RATING UL94 V-0.
COLOR - SEE TABLE.

ENTER DESCRIPTION EC NO: MF2013-0252 D: DRW:KPEVZNER 2012/10/31 CHKD: APPR: IGUMIN 2012/11/02 REV	QUALITY SYMBOLS $\nabla F=0$ $\nabla F=0$ $\nabla F=0$	GENERAL TOLERANCES (UNLESS SPECIFIED) <table border="1"> <thead> <tr> <th></th> <th>mm</th> <th>INCH</th> </tr> </thead> <tbody> <tr> <td>4 PLACES</td> <td>± .004</td> <td>± .0001</td> </tr> <tr> <td>3 PLACES</td> <td>± .005</td> <td>± .0002</td> </tr> <tr> <td>2 PLACES</td> <td>± .007</td> <td>± .0003</td> </tr> <tr> <td>1 PLACE</td> <td>± .010</td> <td>± .0004</td> </tr> <tr> <td>0 PLACE</td> <td>± .015</td> <td>± .0006</td> </tr> </tbody> </table>		mm	INCH	4 PLACES	± .004	± .0001	3 PLACES	± .005	± .0002	2 PLACES	± .007	± .0003	1 PLACE	± .010	± .0004	0 PLACE	± .015	± .0006	DIMENSION STYLE INCH ONLY DRAWN BY: JSZEWczyk DATE: 2009/07/09 CHECKED BY: DATE:	SCALE: TITLE: DUST CAP DESIGN UNITS: INCH THIRD ANGLE PROJECTION
		mm	INCH																			
	4 PLACES	± .004	± .0001																			
	3 PLACES	± .005	± .0002																			
2 PLACES	± .007	± .0003																				
1 PLACE	± .010	± .0004																				
0 PLACE	± .015	± .0006																				
		ANGULAR ±1/2° DRAFT WHERE APPLICABLE MUST REMAIN WITHIN DIMENSIONS	APPROVED BY: IGUMIN DATE: 2012/11/02 MATERIAL NO. SEE TABLE SIZE B	DOCUMENT NO. SD-10170-0004 SHEET NO. 1 OF 1																		
THIS DRAWING CONTAINS INFORMATION THAT IS PROPRIETARY TO MOLEX INCORPORATED AND SHOULD NOT BE USED WITHOUT WRITTEN PERMISSION																						

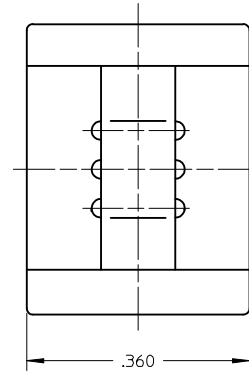
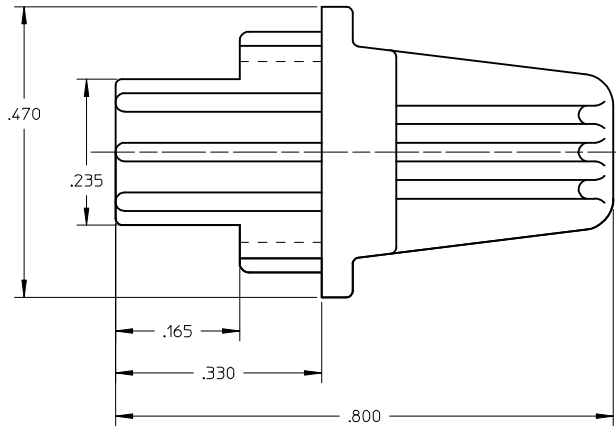
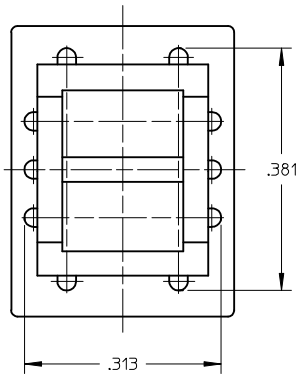
10	P/N OF DUST CAP	COLOR
9	106170-0004	BLACK
8	106170-0005	YELLOW



- NOTES:
- ALL DIMENSIONS ARE FOR REFERENCE ONLY.
 - MATERIAL - SATURATED STYRENIC BLOCK COPOLYMER (SEBS)
FLAMMABILITY RATING UL94 V-0.
COLOR - SEE TABLE.

ENTER DESCRIPTION EC NO: MF2013-0252 D/DRAWN: KPEVZNER 2012/10/31 CHKD: APPR: IGUMIN 2012/11/02 REV	QUALITY SYMBOLS $\nabla F=0$ $\nabla F=0$ $\nabla F=0$	GENERAL TOLERANCES (UNLESS SPECIFIED) <table border="1"> <thead> <tr> <th></th> <th>mm</th> <th>INCH</th> </tr> </thead> <tbody> <tr> <td>4 PLACES</td> <td>± .004</td> <td>± .0001</td> </tr> <tr> <td>3 PLACES</td> <td>± .005</td> <td>± .0002</td> </tr> <tr> <td>2 PLACES</td> <td>± .007</td> <td>± .0003</td> </tr> <tr> <td>1 PLACE</td> <td>± .010</td> <td>± .0004</td> </tr> <tr> <td>0 PLACE</td> <td>± .015</td> <td>± .0006</td> </tr> </tbody> </table>		mm	INCH	4 PLACES	± .004	± .0001	3 PLACES	± .005	± .0002	2 PLACES	± .007	± .0003	1 PLACE	± .010	± .0004	0 PLACE	± .015	± .0006	DIMENSION STYLE INCH ONLY DRAWN BY JSZEWczyk DATE 2009/07/09 CHECKED BY DATE	SCALE DESIGN UNITS INCH	THIRD ANGLE PROJECTION TITLE DUST CAP
		mm	INCH																				
	4 PLACES	± .004	± .0001																				
	3 PLACES	± .005	± .0002																				
2 PLACES	± .007	± .0003																					
1 PLACE	± .010	± .0004																					
0 PLACE	± .015	± .0006																					
		ANGULAR ±1/2° DRAFT WHERE APPLICABLE MUST REMAIN WITHIN DIMENSIONS	APPROVED BY IGUMIN DATE 2012/11/02 MATERIAL NO. SEE TABLE	DOCUMENT NO. SD-10170-0004	SHEET NO. 1 OF 1																		
			SIZE B THIS DRAWING CONTAINS INFORMATION THAT IS PROPRIETARY TO MOLEX INCORPORATED AND SHOULD NOT BE USED WITHOUT WRITTEN PERMISSION	molex																			

P/N OF DUST CAP	COLOR
106170-0004	BLACK
106170-0005	YELLOW



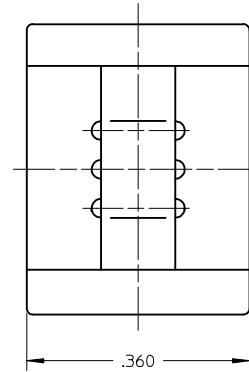
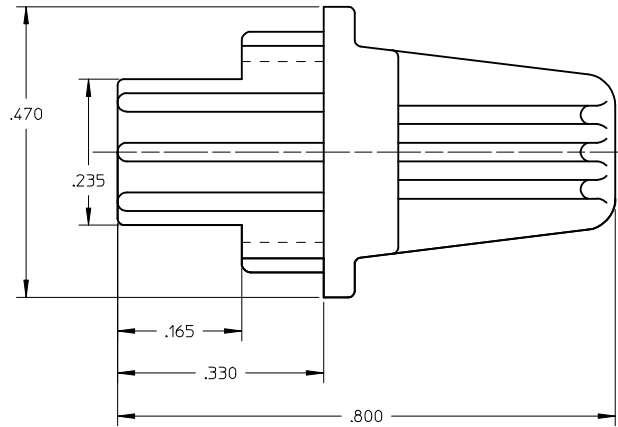
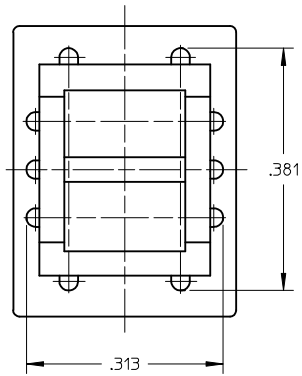
NOTES:

1. ALL DIMENSIONS ARE FOR REFERENCE ONLY.
2. MATERIAL - THERMOPLASTIC ELASTOMER (TPE)
FLAMMABILITY RATING UL94 V-0.
COLOR - SEE TABLE.

ENTER DESCRIPTION EC NO: MF2016-0018 DRAWN: IGUMIN 2015/09/11 CHKD: APPR: IGUMIN 2015/10/13 REV	QUALITY SYMBOLS ▼=0 ▽=0	GENERAL TOLERANCES (UNLESS SPECIFIED)		DIMENSION STYLE INCH ONLY	SCALE 4:1	DESIGN UNITS INCH	THIRD ANGLE PROJECTION		
		4 PLACES ± --- ± --- 3 PLACES ± --- ± --- 2 PLACES ± --- ± --- 1 PLACE ± --- ± --- 0 PLACE ± --- ± ---	mm INCH	DRAWN BY JSZEWCZYK	DATE 2009/07/09	TITLE DUST CAP			
				CHECKED BY	DATE				
				APPROVED BY	DATE 2015/10/13				
			ANGULAR ±1/2° DRAFT WHERE APPLICABLE MUST REMAIN WITHIN DIMENSIONS	MATERIAL NO. SEE TABLE	DOCUMENT NO. SD-106170-0004	SHEET NO. 1 OF 1			

THIS DRAWING CONTAINS INFORMATION THAT IS PROPRIETARY TO MOLEX INCORPORATED AND SHOULD NOT BE USED WITHOUT WRITTEN PERMISSION

P/N OF DUST CAP	COLOR
106170-0004	BLACK
106170-0005	YELLOW



NOTES:

1. ALL DIMENSIONS ARE FOR REFERENCE ONLY.
2. MATERIAL - THERMOPLASTIC ELASTOMER (TPE)
FLAMMABILITY RATING UL94 V-0.
COLOR - SEE TABLE.

ENTER DESCRIPTION EC NO: MF2016-0018 DRAWN: IGUMIN 2015/09/11 CHKD: APPR: IGUMIN 2015/10/13 REV	QUALITY SYMBOLS ▽=0 ▽=0	GENERAL TOLERANCES (UNLESS SPECIFIED)		DIMENSION STYLE INCH ONLY	SCALE 4:1	DESIGN UNITS INCH	THIRD ANGLE PROJECTION	
		4 PLACES ± --- ± --- 3 PLACES ± --- ± --- 2 PLACES ± --- ± --- 1 PLACE ± --- ± --- 0 PLACE ± --- ± ---	mm INCH	DRAWN BY JSZEWCZYK DATE 2009/07/09	TITLE DUST CAP			
				CHECKED BY DATE	APPROVED BY DATE 2015/10/13			
				MATERIAL NO. SEE TABLE	DOCUMENT NO. SD-106170-0004	SHEET NO. 1 OF 1		
			ANGULAR ±1/2° DRAFT WHERE APPLICABLE MUST REMAIN WITHIN DIMENSIONS	SIZE B	THIS DRAWING CONTAINS INFORMATION THAT IS PROPRIETARY TO MOLEX INCORPORATED AND SHOULD NOT BE USED WITHOUT WRITTEN PERMISSION			