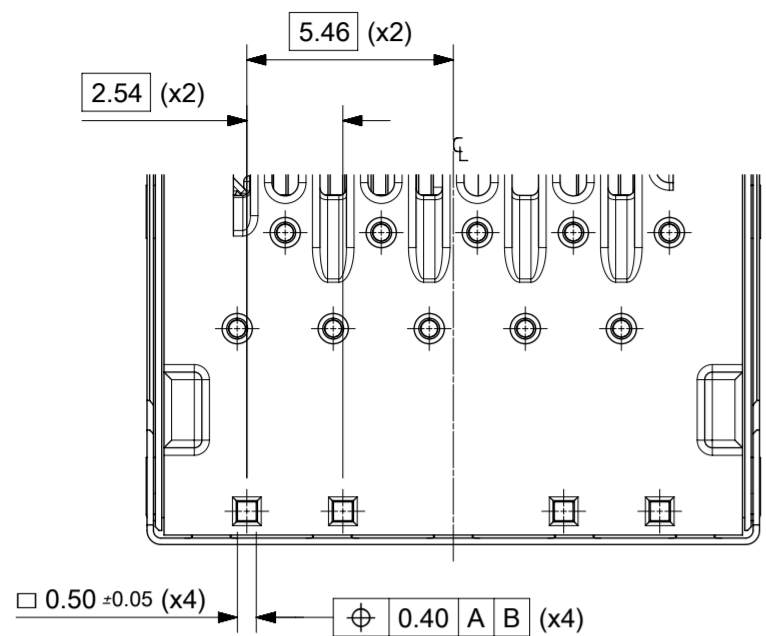
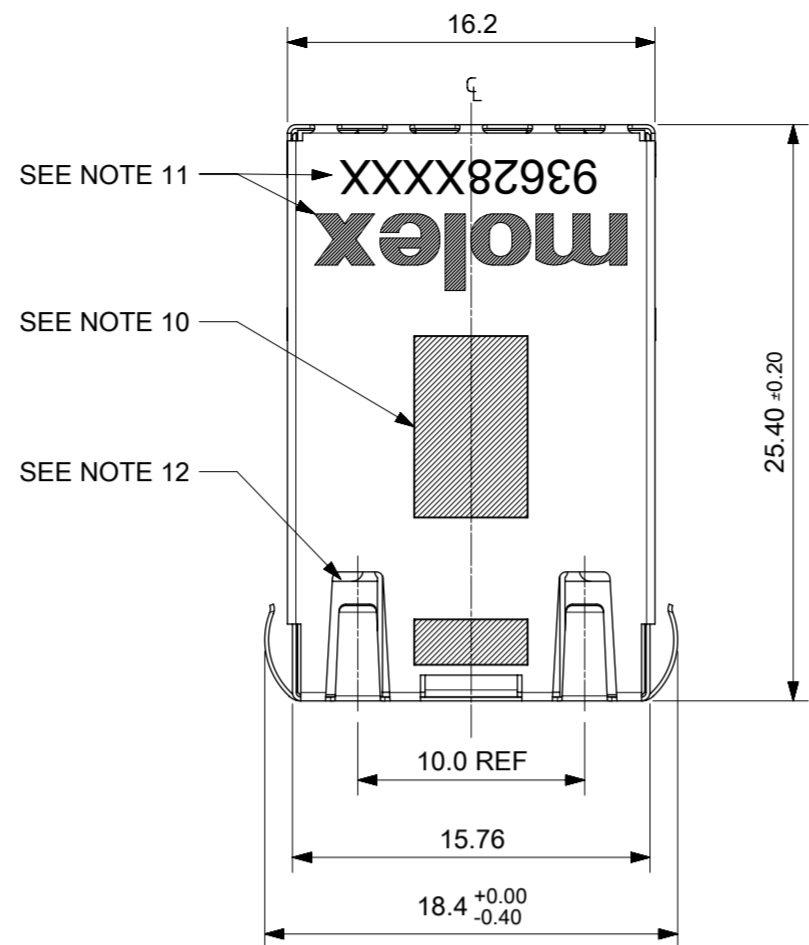


1 INCH MAGNETIC JACK
GIGABIT ETHERNET
W/LEDS W/SHIELD TABS

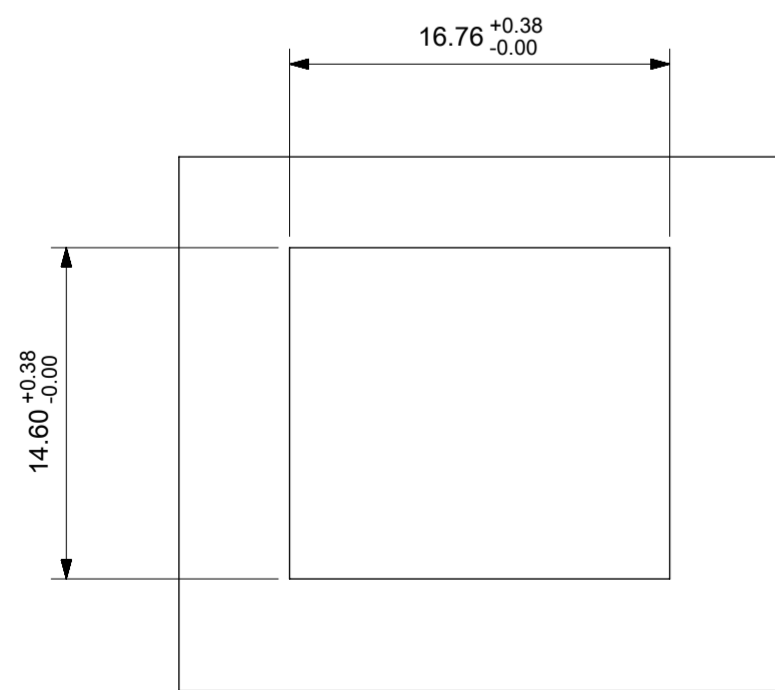
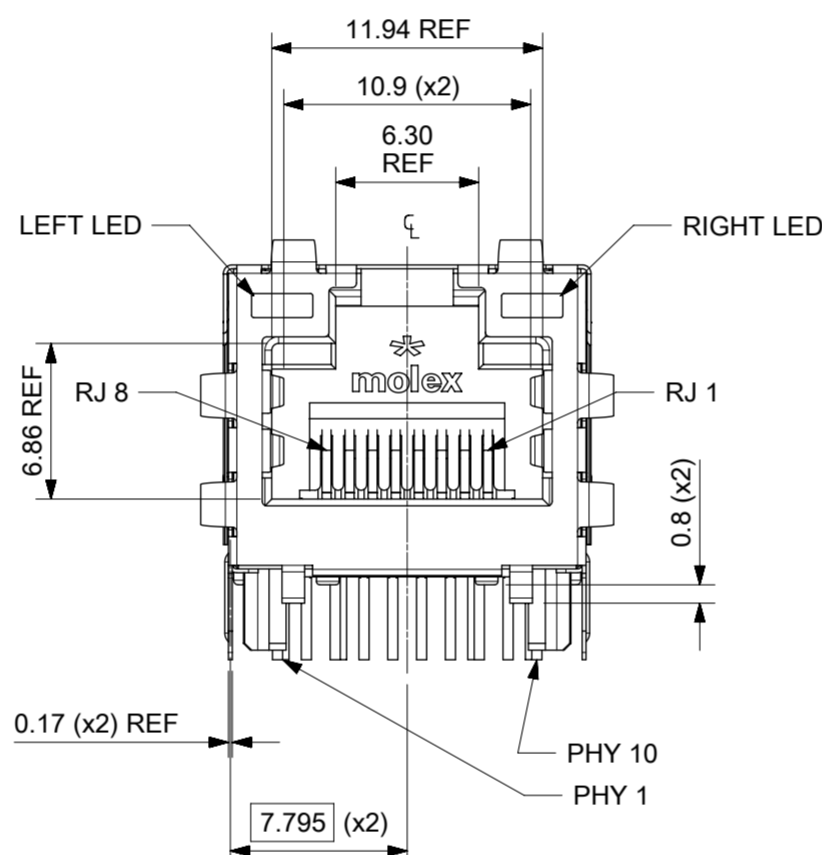
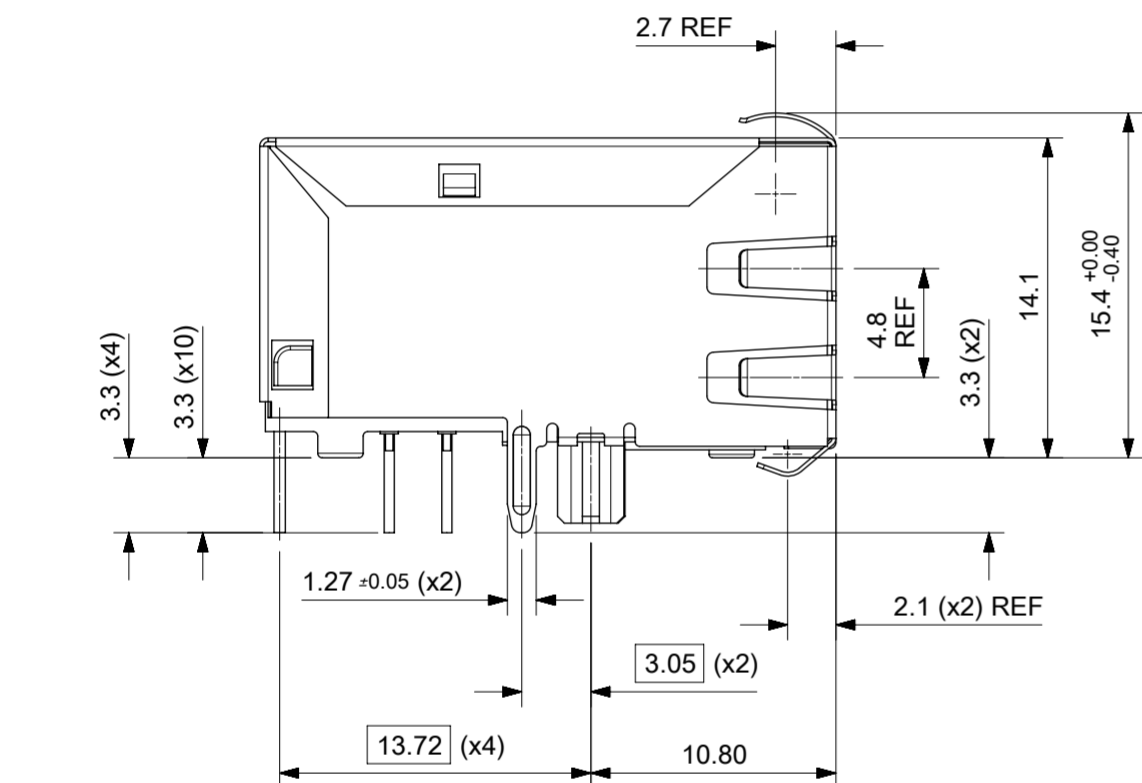


DETAIL A
SCALE 5:1

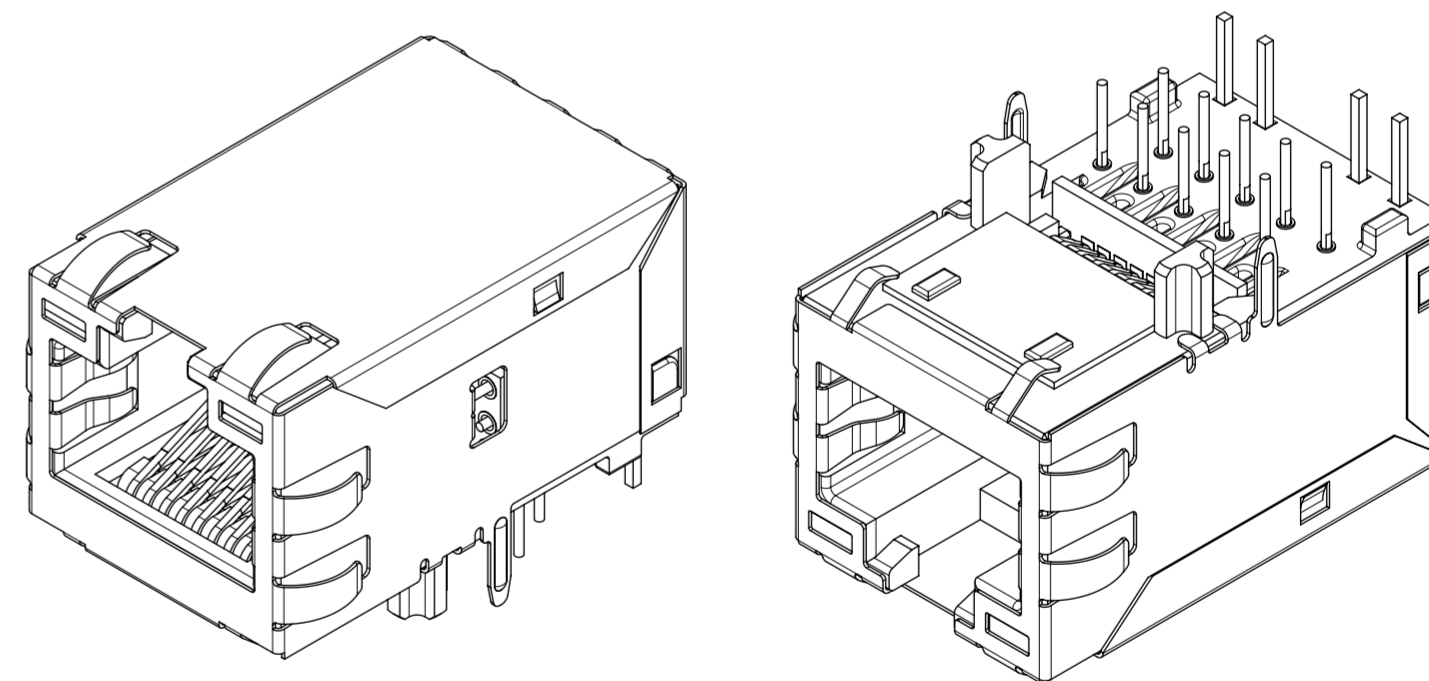
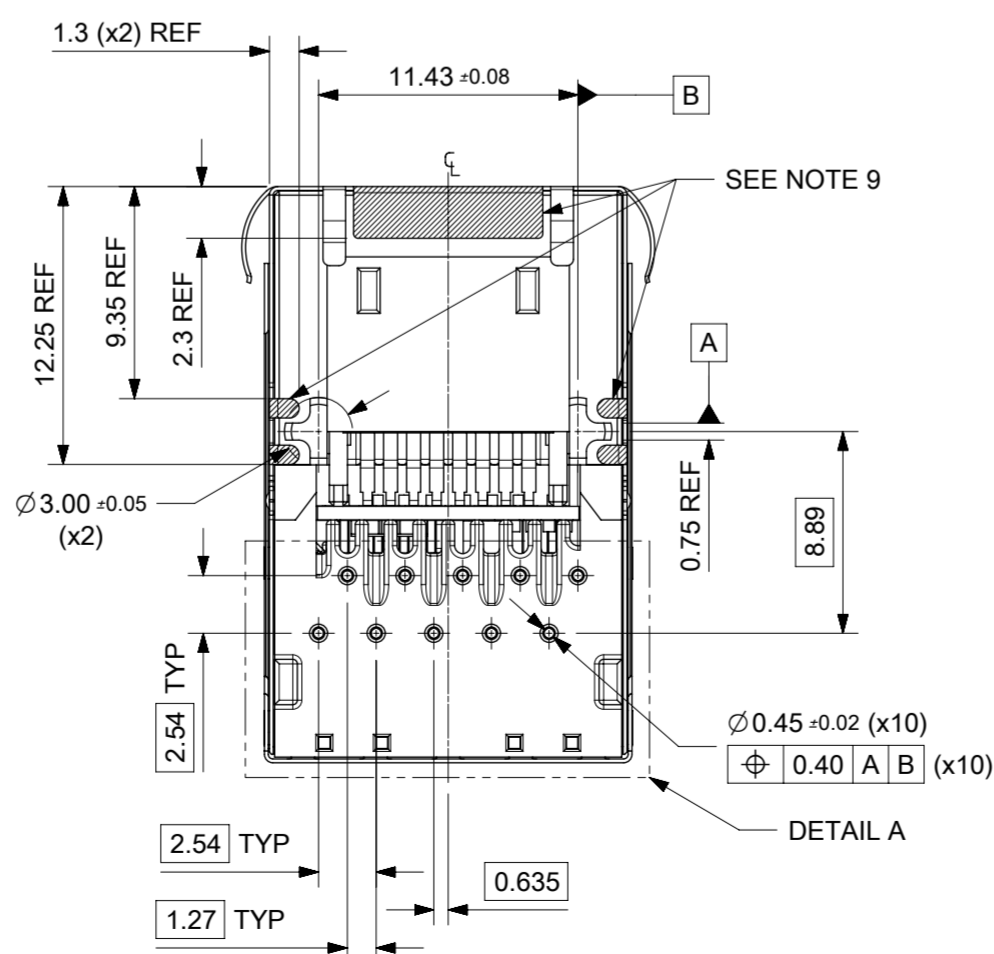


NOTES:

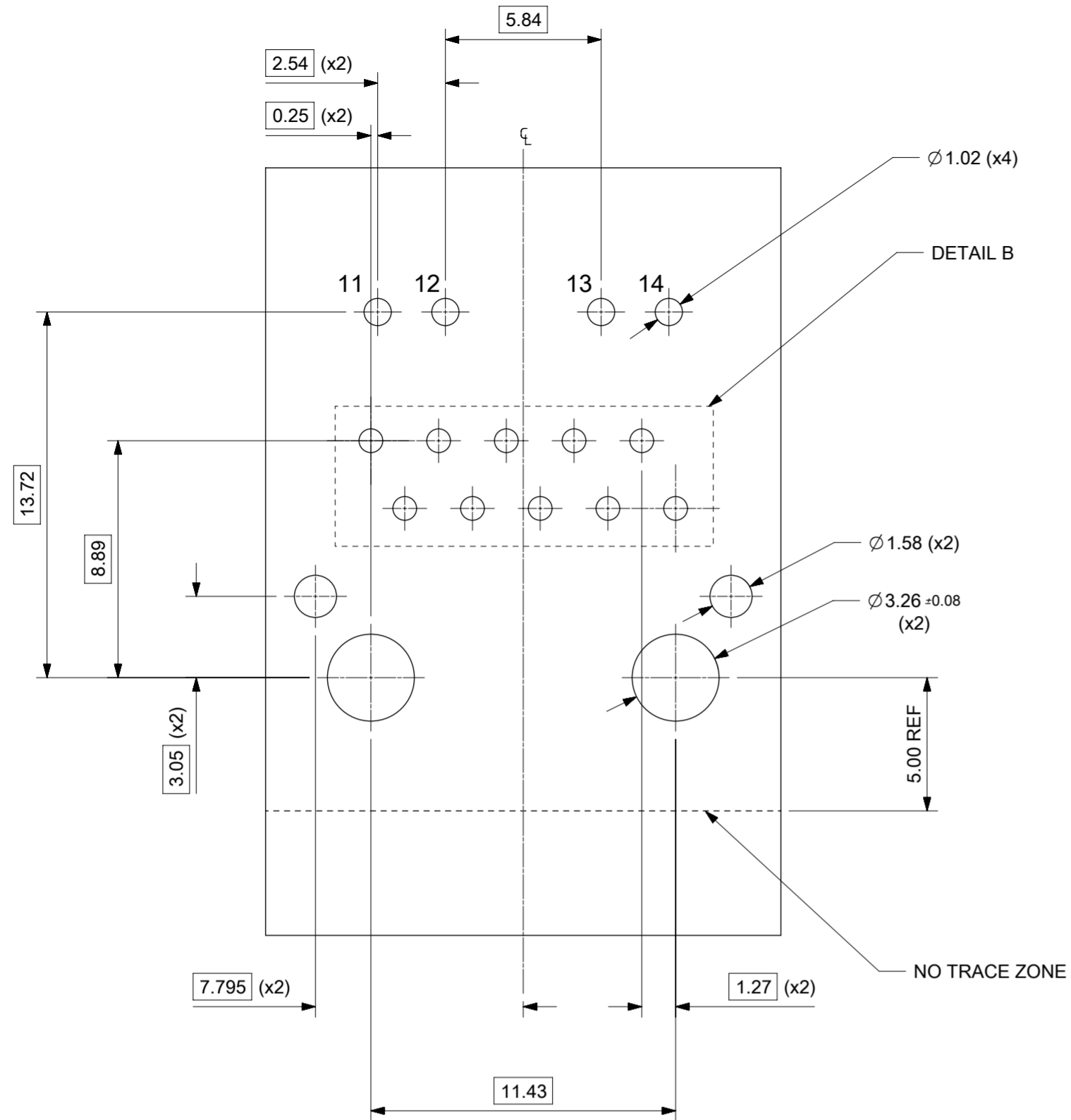
- 1 - SHIELD MATERIAL: 0.17 mm THICK BRASS PRE-PLATED WITH NICKEL.
SOLDER TABS POST DIPPED WITH MIN. 1.27 μm TIN
- 2 - HOUSING MATERIAL: LCP, BLACK, UL 94V-0
- 3 - TERMINALS MATERIAL: PHOSPHOR BRONZE
RJ45 CONTACT PLATING: BASE NICKEL, GOLD FLASH OVER PALLADIUM NICKEL
PHY SOLDER TAILS: COPPOR ALLOY REFER TO 934620001 PSP
- 4 - MATING INTERFACE ACCORDING TO IEC 60603-7 & TIA-1096-A
- 5 - PRODUCT SPECIFICATION: 934620001 PSP
- 6 - PACKAGING SPECIFICATION: 934620001 PSK TRAY
- 7 - STAND OFF TO SYSTEM BOARD 0.30 mm MIN
- 8 - RECOMMENDED PCB THICKNESS: 1.57 mm REF
- 9 - SHIELD: AVOID ROUTING TRACES
OR PLACING ANY VIAS BELOW THESE AREAS.
- 10 - AREA FOR PICK & PLACE: 5.0 mm x 8.0 mm
- 11 - INSCRIPTION MARKED BY LASER:
1st : MOLEX
2nd : P/N (SEE BOM)
- 12 - INSCRIPTION MARKED BY LASER:
DATA CODE (DAY/WEEK/YEAR)
- 13 - MATERIAL COMPLIANT TO ROHS DIRECTIVE 2002/95/EC



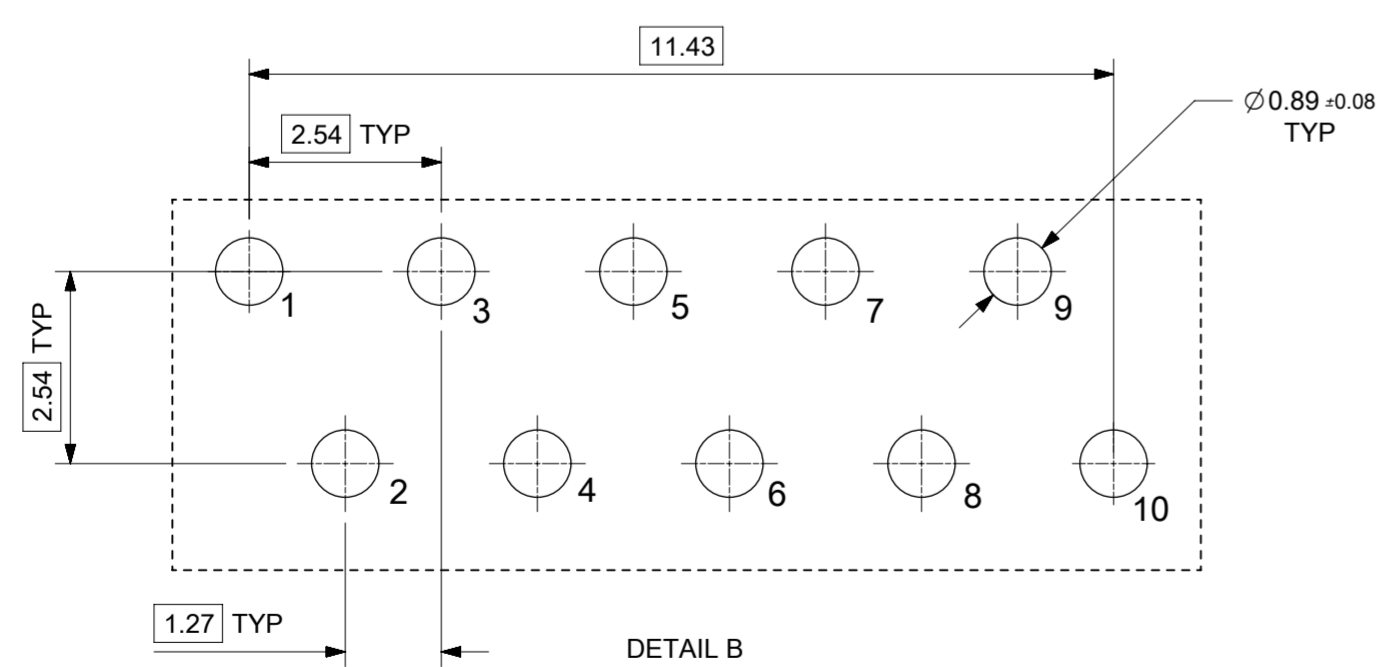
SUGGESTED PANEL CUT-OUT



THIS DRAWING CONTAINS INFORMATION THAT IS PROPRIETARY TO MOLEX ELECTRONIC TECHNOLOGIES, LLC AND SHOULD NOT BE USED WITHOUT WRITTEN PERMISSION					
UPDATED SCHEMATIC EC NO: 167044 DRWN: KREILLY CHKD: DSHEA REV: APPR: DBYRNES	2017/10/23	GENERAL TOLERANCES (UNLESS SPECIFIED)	DIMENSION UNITS	SCALE	
	2017/10/31	ANGULAR TOL ± 2.0 °	mm	3:1	
	2017/11/22	4 PLACES ±	DRWN BY	DATE	
		3 PLACES ±	KREILLY	2015/09/28	
		2 PLACES ± 0.1	CHKD BY	DATE	
	1 PLACE ± 0.2	DBYRNES	2016/09/19		
	0 PLACES ±	APPR BY	DATE		
		JALEXANDER	2016/01/07		
	DRAFT WHERE APPLICABLE MUST REMAIN WITHIN DIMENSIONS	DRAWING SIZE	THIRD ANGLE PROJECTION		
		A2			
		SERIES	MATERIAL NUMBER	CUSTOMER	
		93628	SEE TABLE ON SHEET 2	GENERAL MARKET	
		DOCUMENT NUMBER	DOC TYPE	DOC PART	SHEET NUMBER
		936280001	PSD	000	1 OF 3



SUGGESTED BOARD LAYOUT
GIGABIT ETHERNET
VIEW FROM COMPONENT SIDE
ALL DIMS ARE REFERENCE



DETAIL B
SCALE 10:1
PIN CONFIGURATION
FOR GIG ETHERNET

PART NUMBER	LEFT LED	RIGHT LED
936283721	GREEN	GREEN
936283725	GREEN	GREEN/YELLOW

THIS DRAWING CONTAINS INFORMATION THAT IS PROPRIETARY TO MOLEX ELECTRONIC TECHNOLOGIES, LLC AND SHOULD NOT BE USED WITHOUT WRITTEN PERMISSION

UPDATED SCHEMATIC EC NO: 167044 DRWN: KREILLY CHKD: DSHEA REV / APPR: DBYRNES	2017/10/23	GENERAL TOLERANCES (UNLESS SPECIFIED)	DIMENSION UNITS	SCALE	
	2017/10/31	(UNLESS SPECIFIED)	mm	5:1	
	2017/11/22	ANGULAR TOL ± 2.0 °	DRWN BY	DATE	
		4 PLACES ±	KREILLY	2015/09/28	
		3 PLACES ±	CHK'D BY	DATE	
	2 PLACES ± 0.1	DBYRNES	2016/09/19		
	1 PLACE ± 0.2	APPR BY	DATE		
	0 PLACES ±	JALEXANDER	2016/01/07		
	DRAFT WHERE APPLICABLE MUST REMAIN WITHIN DIMENSIONS	DRAWING SIZE	THIRD ANGLE PROJECTION		
		A2			

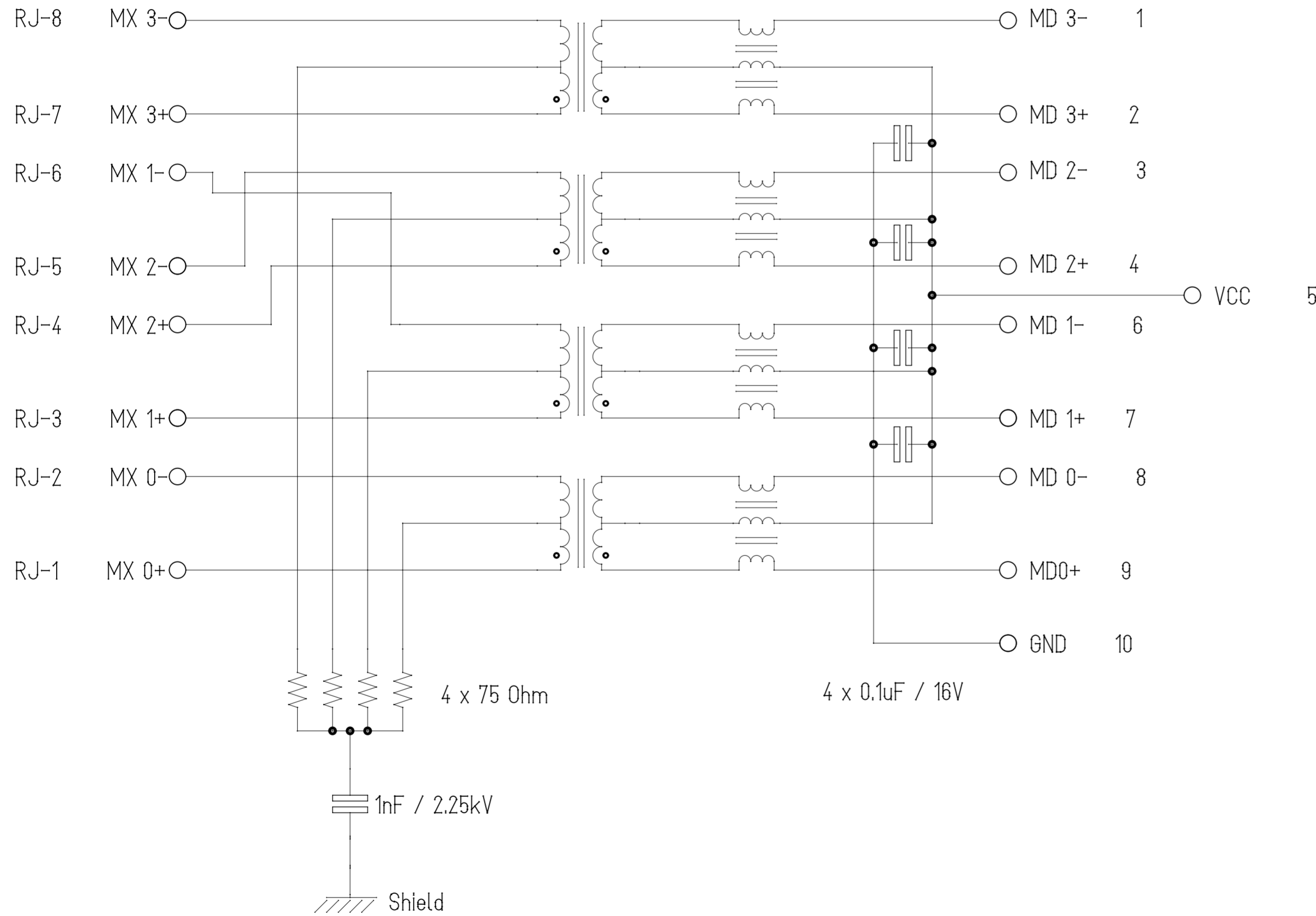
PRODUCT CUSTOMER DRAWING		
SERIES	MATERIAL NUMBER	CUSTOMER
93628	SEE TABLE ON SHEET 2	GENERAL MARKET
DOCUMENT NUMBER	DOC TYPE	DOC PART SHEET NUMBER
936280001	PSD	000 2 OF 3

RJ-45 CONTACTS

WIRE-SIDE / RJ-45

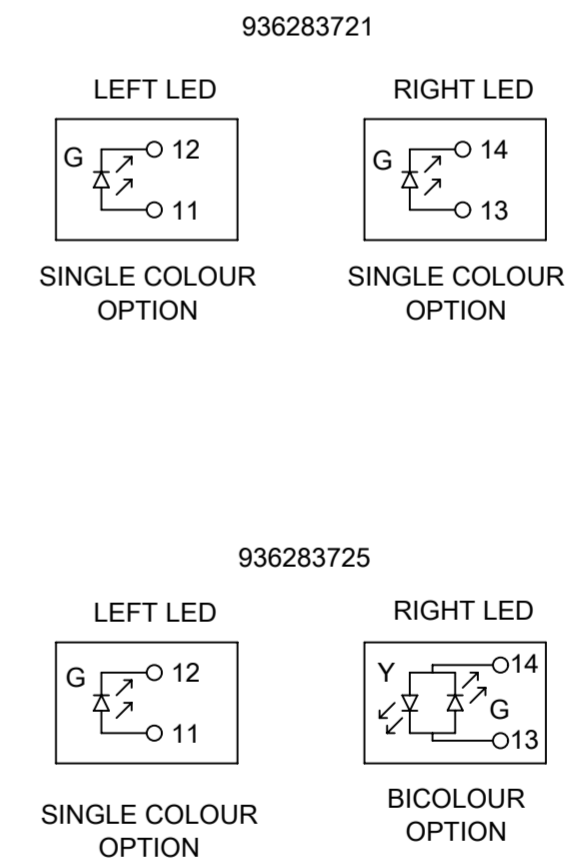
ETHERNET MAGNETICS

PHY-SIDE / PCB SIDE



Description	Value	
OCL @100 kHz, 0.1 V, 8 mA DC bias 0°C to + 70°C)	350 μH min.	
Turns ratio	1CT:1CT	
Transmission characteristics @ 25°C, all four pairs		
Insertion Loss		
Frequency f, (MHz)	Limits (dB max.)	Typical Values (dB max.)
1.0-9.9	0.4+0.1*log (f)	0.5 @ 10 MHz
10-49.9	0.5+0.3*log (f/10)	0.7 @ 50 MHz
50-79.9	1+1.4*log (f/80)	1.0 @ 80 MHz
80-100	1.3+3*log (f/100)	1.3 @ 100 MHz
Return Loss		
Frequency f, (MHz)	Limits (dB min.)	Typical Values (dB min.)
1.0-39.9	18	18 @ 40 MHz
40-100	12-20*log (f/80)	10 @ 100 MHz
CMR		
Frequency f, (MHz)	Limits (dB min.)	Typical Values (dB min.)
1.0-100	30	30 @ 100 MHz
NEXT		
Frequency f, (MHz)	Limits (dB min.)	Typical Values (dB min.)
1.0-39.9	35	35 @ 40 MHz
40-100	33-20*log (f/50)	27 @ 100 MHz
Isolation PHY to wire side	2.25 kV DC / 60 s	

ETHERNET TERMINALS



THIS DRAWING CONTAINS INFORMATION THAT IS PROPRIETARY TO MOLEX ELECTRONIC TECHNOLOGIES, LLC AND SHOULD NOT BE USED WITHOUT WRITTEN PERMISSION												
UPDATED SCHEMATIC EC NO: 167044 DRWN: KREILLY CHK'D: DSHEA REV / APPR: DBYRNES	2017/10/23	GENERAL TOLERANCES (UNLESS SPECIFIED)		DIMENSION UNITS	SCALE							
	2017/10/31	ANGULAR TOL ± 2.0 °		mm	1:1							
	2017/11/22	4 PLACES	±	DRWN BY		DATE	1" MXMAG 8 CORE GIG COM PRODUCT CUSTOMER DRAWING					
		3 PLACES	±	KREILLY		2015/09/28						
		2 PLACES	± 0.1	CHK'D BY		DATE						
	1 PLACE	± 0.2	DBYRNES		2016/09/19							
	0 PLACES	±	APPR BY		DATE							
	DRAFT WHERE APPLICABLE MUST REMAIN WITHIN DIMENSIONS		JALEXANDER		2016/01/07	SERIES	MATERIAL NUMBER	CUSTOMER				
	A2		DRAWING SIZE		THIRD ANGLE PROJECTION	93628	SEE TABLE ON SHEET 2	GENERAL MARKET				
						DOCUMENT NUMBER	936280001	DOC TYPE	PSD	DOC PART	SHEET NUMBER	
								000			3 OF 3	