

08025SA

DC Axial Fan Ball Bearing

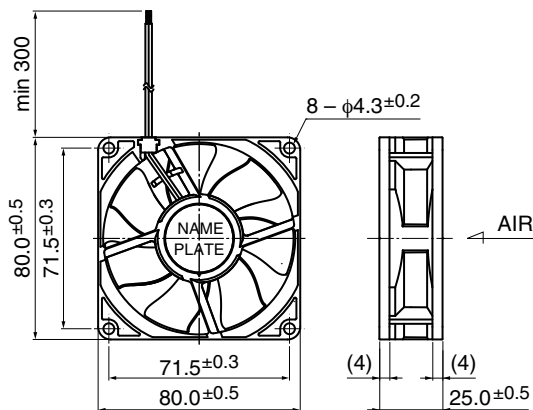
80[□]X25^L



General Specifications

Motor Protection	Auto Restart / Polarity Protection
Insulation Resistance	10MΩ or over with a DC500V Megger
Dielectric Withstand Voltage	: AC700V 1s
Allowable Ambient Temperature Range	: L, M, N Class : -10°C ~ +70°C (Operating) R Class : -40°C ~ +70°C (Storage) non-condensing environment

Outline



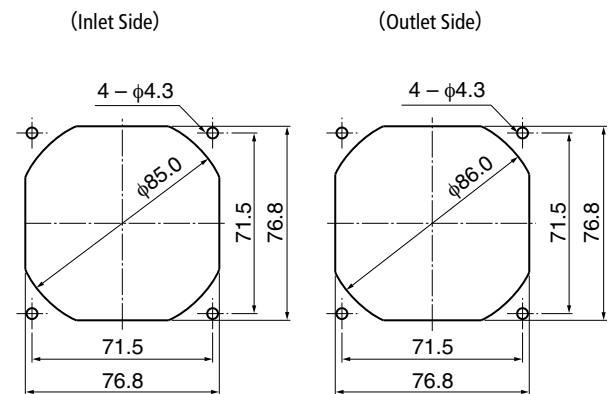
* Outline is E (Flange) type.

Expected Life

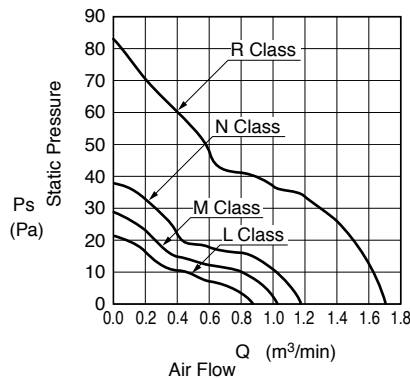
※ Failure Rate: 10% (L10 Life)

60°C 40,000 (Hours)

Panel Out-cuts



Characteristic Curves



Material

Casing	: Plastic (Black) UL94V-0
Impeller	: Plastic (Black) UL94V-0
Bearing	: Ball Bearing
Lead Wire	: UL3385 AWG26 + : Red, - : Black

Specifications

□ = Casing Form --- A: Rib Type, E: Flange Type

Model	Product No.	Rating Voltage	Operating Voltage	Current	Input Power	Speed	Max. Air Flow		Max. Static Pressure		Noise	Mass
		(V)	(V)	(A)*1	(W)*1	(min ⁻¹)*1	(m ³ /min)*1	(CFM)*1	(Pa)*1	(In H ₂ O)*1	(dB)*1	(g)
08025SA-12L-□A-	D0	12	6.0 ~ 13.8	0.06	0.72	2300	0.86	30.4	21.5	0.09	22.0	80
08025SA-12M-□A-	D0			0.09	1.08	2700	1.02	36.0	29.0	0.12	26.0	
08025SA-12N-□A-	D0			0.14	1.68	3100	1.17	41.3	37.5	0.15	30.0	
08025SA-12R-□A-	D0			0.32	3.84	4500	1.70	60.0	82.0	0.33	42.0	
08025SA-24L-□A-	D0	24	12.0 ~ 27.6	0.04	0.96	2300	0.86	30.4	21.5	0.09	22.0	
08025SA-24M-□A-	D0			0.06	1.44	2700	1.02	36.0	29.0	0.12	26.0	
08025SA-24N-□A-	D0			0.08	1.92	3100	1.17	41.3	37.5	0.15	30.0	
08025SA-24R-□A-	D0			0.17	4.08	4500	1.70	60.0	82.0	0.33	42.0	

Rotation: Clockwise as seen from the label side
Airflow Outlet: Label side

*1: Average Values in Free Air