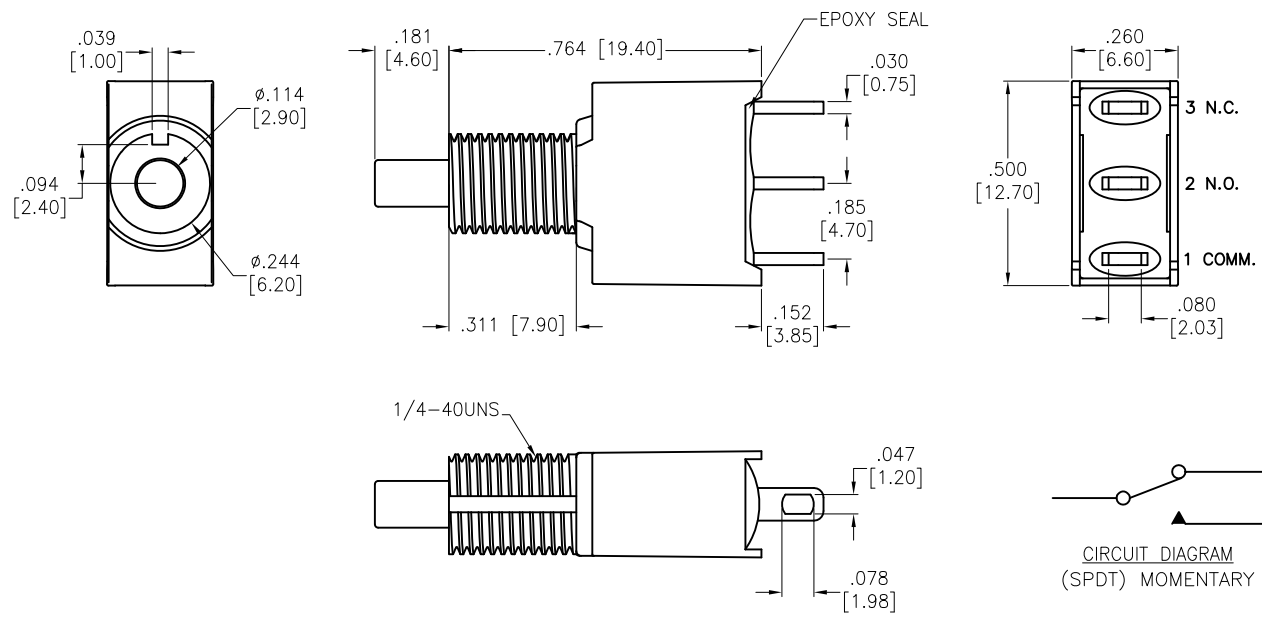


6	5	4	3	2	1
APPROVED: _____			Rev	AWO #	Description
DATE: _____ TITLE: _____			-		RELEASED
					Date
					6/21/21
					Appr



**SPECIFICATIONS:**

Material:  
 Movable Contact: Copper Alloy, Silver Plated  
 Terminal: Copper Alloy, Silver Plated with outer layer in gold plating  
 Electrical:  
 Voltage rating: 120VAC or 38VDC  
 Current rating: 1 Amps  
 Contact resistance: 10 mΩ max  
 Insulation resistance: 1,000 Mohms min  
 Dielectric withstanding voltage: 1,500V RMS @Sea level  
 Mechanical:  
 Waterproof: IP68  
 Temperature Rating:  
 Operating temperature: -30°C to +85°C  
 Environmental:  
 Lead free, RoHS compliant



UNLESS OTHERWISE SPECIFIED ALL DIMENSIONS ARE INCHES [MM] TOLERANCES: EXCEPT AS NOTED	
INCHES	HOLES
.X ± .10	Ø.X ± .10
.XX ± .020	Ø.XX ± .015
.XXX ± .015	Ø.XXX ± .010
APPROVALS	
DRAWN	DATE
LH	6/21/21
CHECKED	DATE
AC	6/21/21
APPROVED	

**ADAM TECH** 909 Rahway Avenue,  
 Union, NJ 07083  
 Phone: 908-687-5000  
 Fax: 908-687-5710

TITLE: SNAP-ACTING PUSH BUTTON SWITCH, IP68  
 SPDT, ON-MOMENTARY, SILVER PLATED, SOLDER TYPE

SIZE	PART NO.	REV.
X	SW-PB8-AA00A1GE-2	-

REF: S00198T SCALE: NTS SHEET 1 OF 1