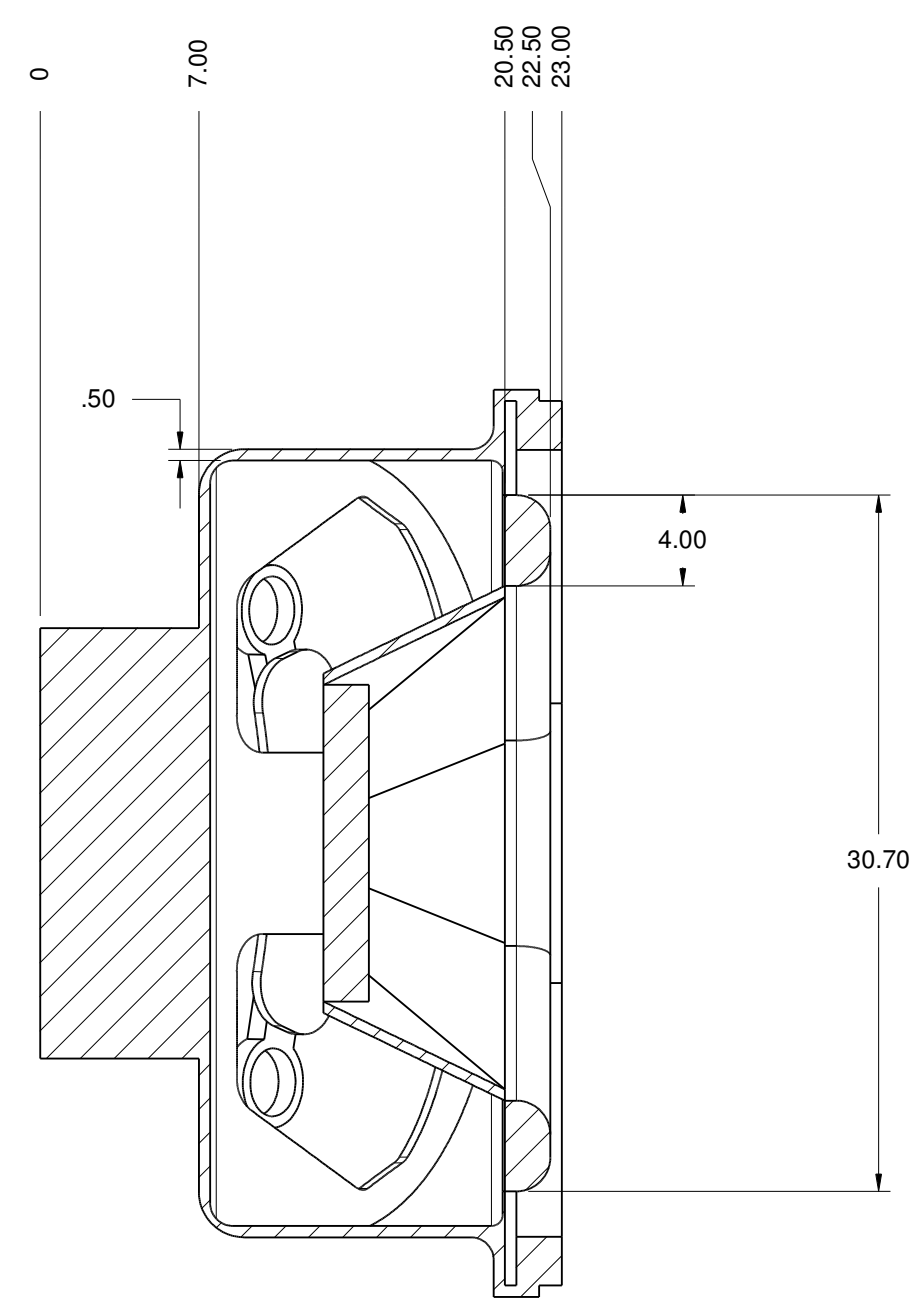
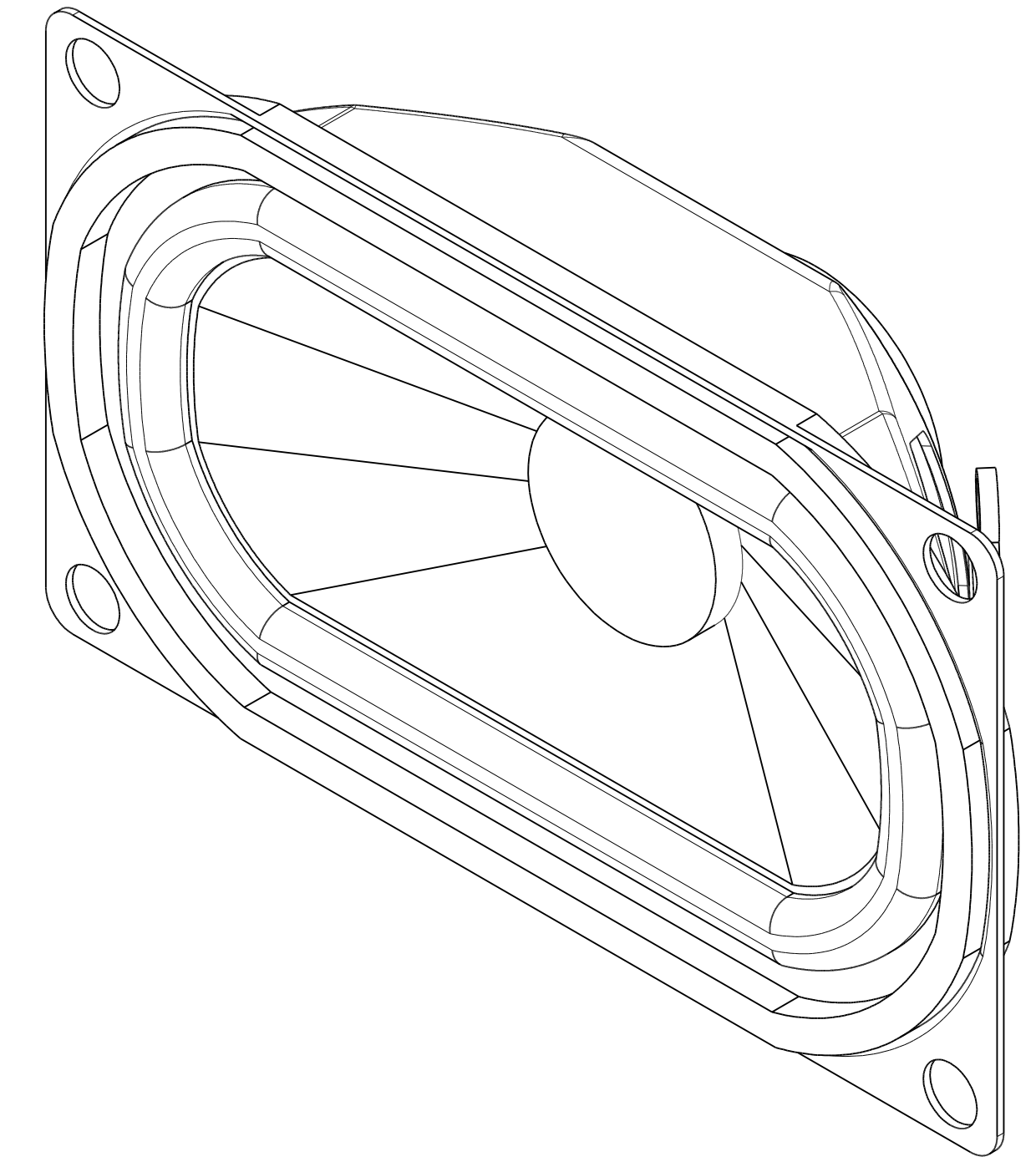
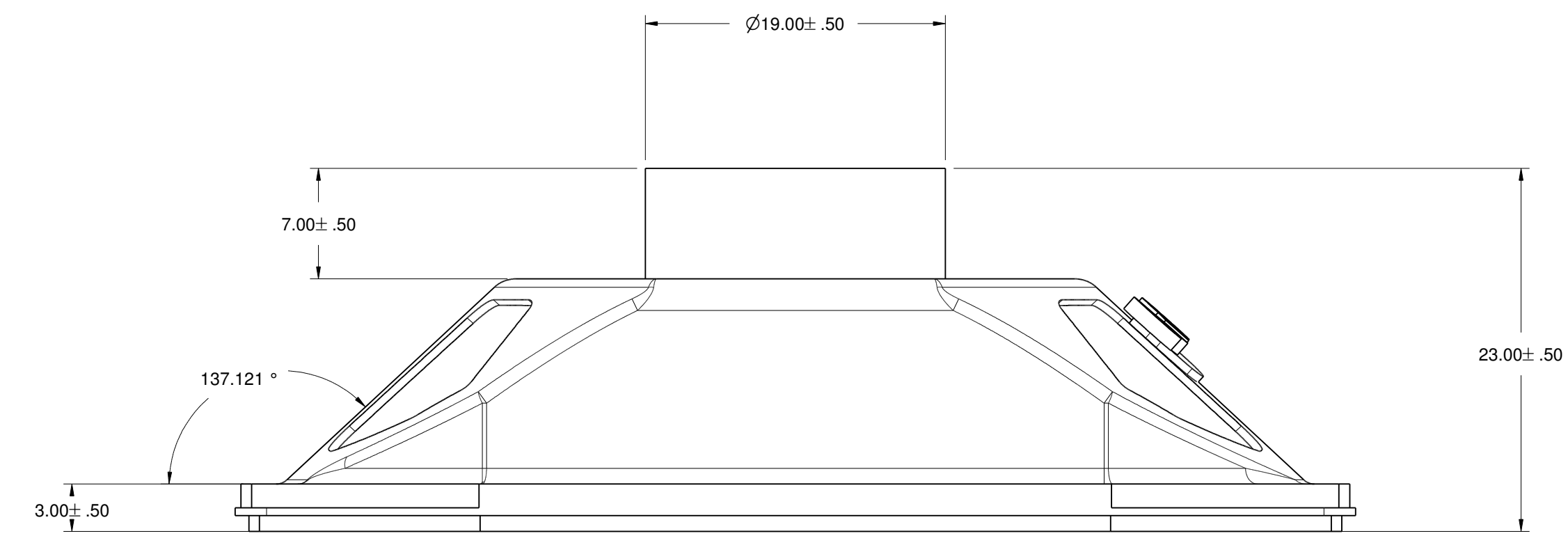


REVISIONS				
ZONE	REV	DESCRIPTION	DATE	APPROVED



Section A-A

