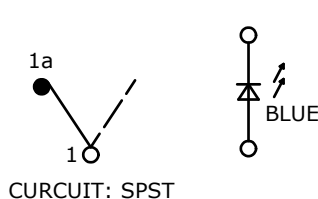
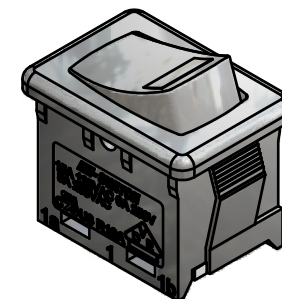
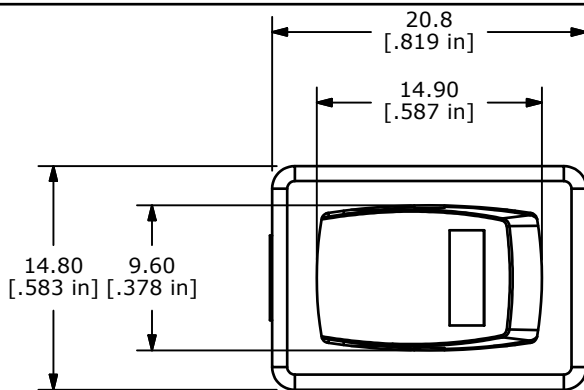


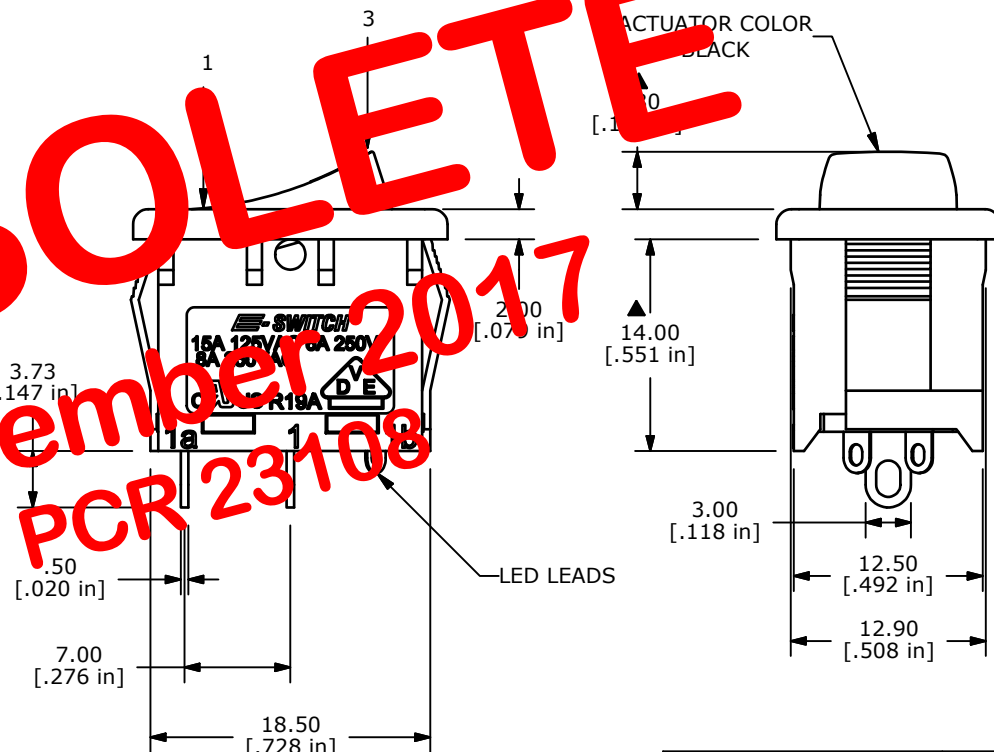
RECOMMENDED PANEL MOUNTING

PANEL THICKNESS	X
0.75-1.25	19.2-19.3
1.25-2.00	19.3-19.4
2.00-3.00	19.5-19.6



SWITCH FUNCTION	
POS. 1	POS. 3
OFF	ON

OBSOLETE
 November 2017
 PCR 23108



- NOTES:
- ALL DIMENSIONS IN MM [INCH]
 - GENERAL TOLERANCE: X.X=±0.4
X.XX=±0.25
 - TERM. NOS. FOR REF. ONLY
 - ▲ 4. RATING: 15A @125VAC;
8A @250VAC.
 - ▲ 5. LAMP COLOR: BLUE
 - MATERIAL:
CONTACT SURFACE: COIN SILVER, SILVER PLATED.
TERMINAL: COPPER ALLOY W/SILVER PLATE
 - ELECTRICAL LIFE: 10,000 CYCLES
 - CONTACT RESISTANCE: <20 MILLI-OHMS INITIAL
 - DIELECTRIC STRENGTH: >1,500V AC 1 MIN
 - ▲ DENOTES CRITICAL PARAMETER.
 - 2002/95/EC (RoHS) COMPLIANT.

▲ LED SPECS	UNITS	BLUE
FORWARD CURRENT	mA	20
FORWARD VOLTAGE	V	3.1 TO 3.4
LUMINOUS INTENSITY	mcd	85 typ.



A	19927	RELEASE FOR PRODUCTION	5/9/11	BGL
REV	PCR NO	DESCRIPTION	DATE	BY

TITLE R1966ABLKBLKESBLU				
SCALE	DATE	DR	DWG	REV
2:1	5/9/2011	BGL	M301270	A

THE INFORMATION CONTAINED IN THIS DOCUMENT IS PROPRIETARY TO E-SWITCH AND IS NOT TO BE COPIED OR TRANSFERRED