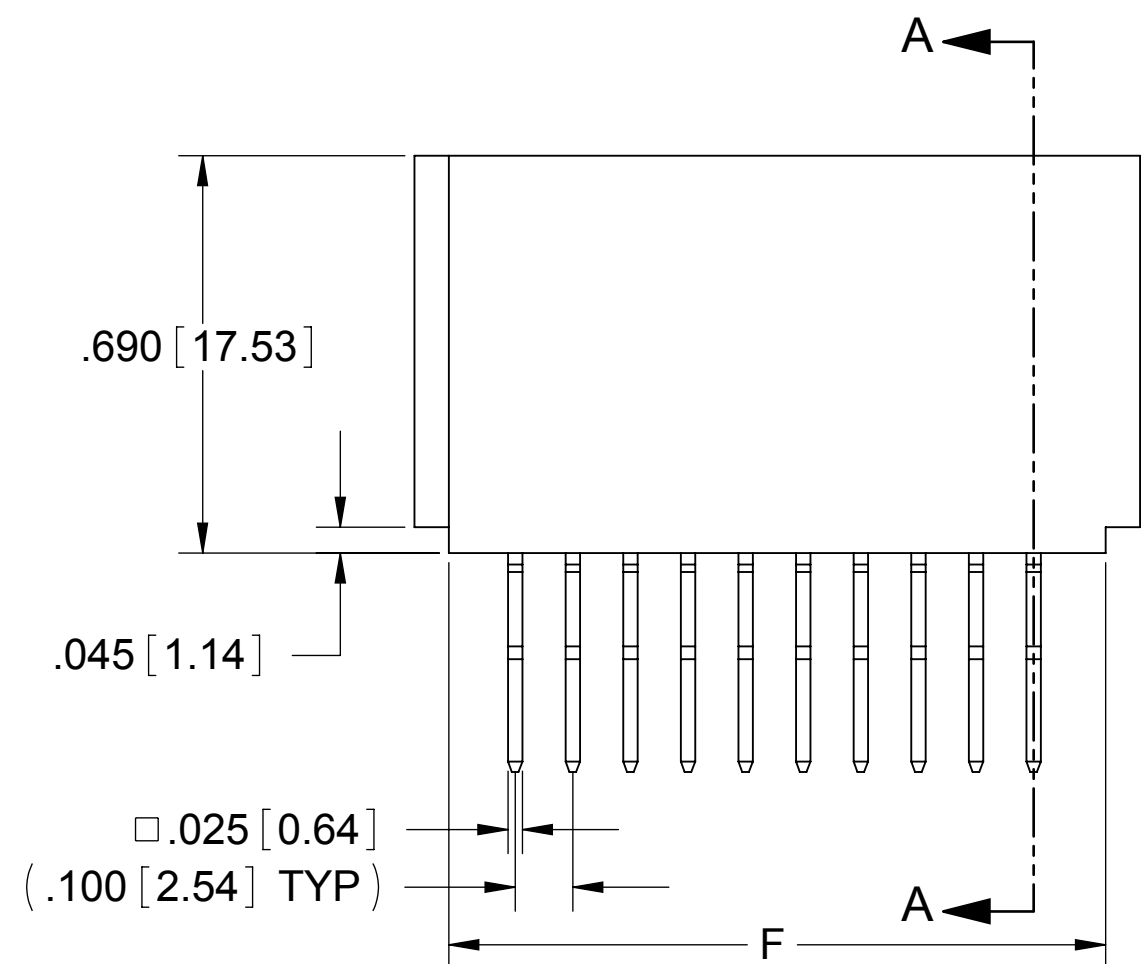
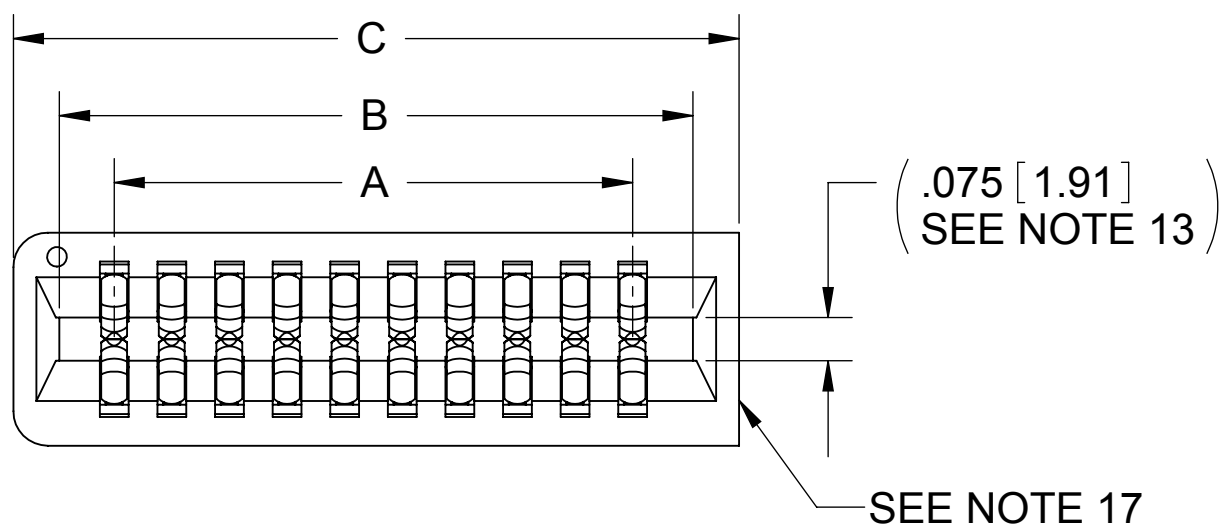
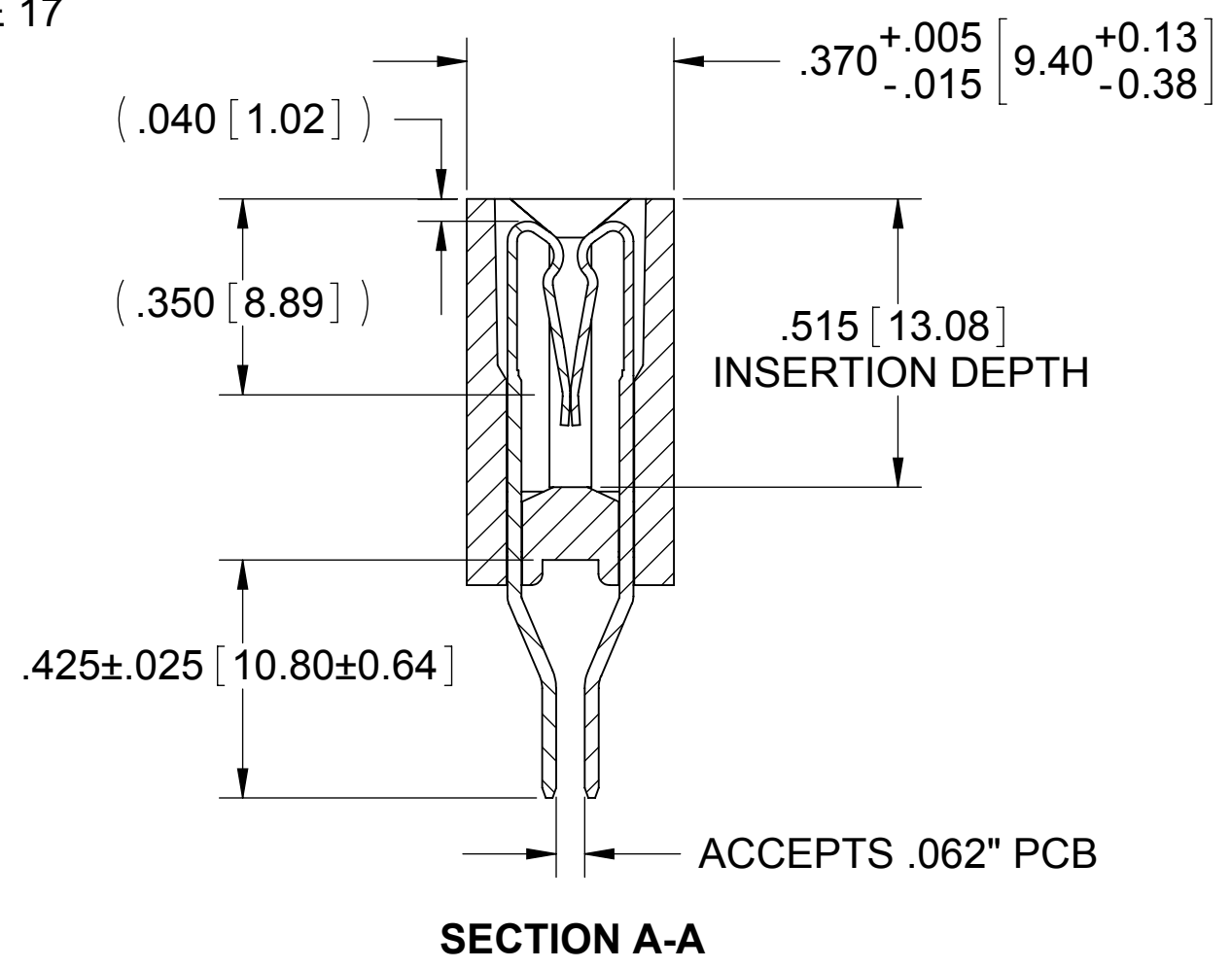


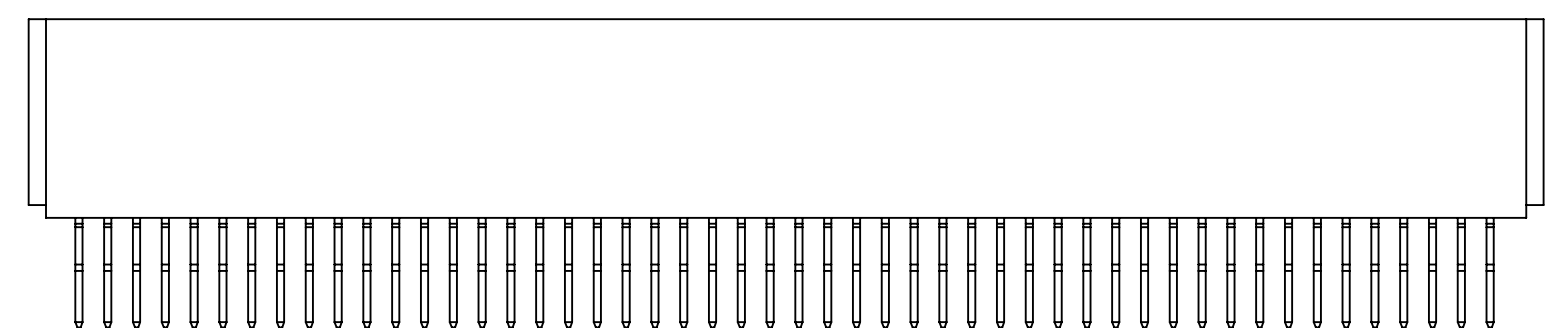
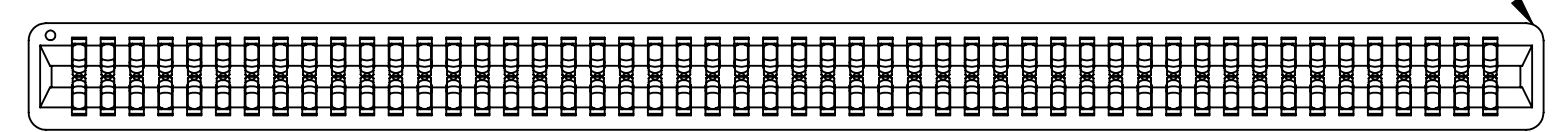
REVISIONS				
REV.	ECO. NO	DESCRIPTION	DATE	BY
C	2494	ADD DIM 'F', BOM, 50-POSITION VIEW TO SHOW ROUND CORNER, UPDATE NOTES, DWG FORMAT, PROCESSING TIME TO 20 SEC FOR 'G' MTL	11/15/2011	JH
D	2840	ADD 'SC' TERMINATION EQUIVALENT, REF DIM .075" FOR "B" MTG,	11/25/201	JH/KV



G_C_DCSN-S527
G_C_DSCN-S527



ROUND CORNER ON BOTH ENDS
(FOR 50-POSITION PARTS ONLY)



G_C_DCSN-S527
G_C_DSCN-S527
(SCALE 3:2)

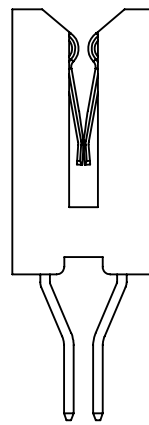
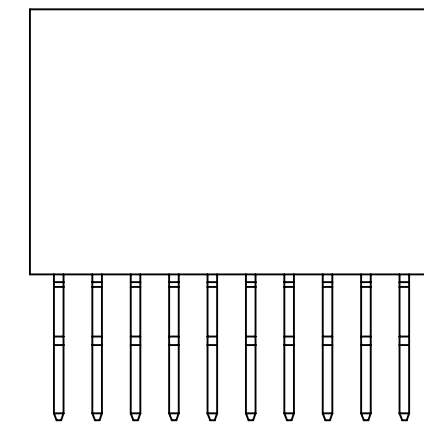
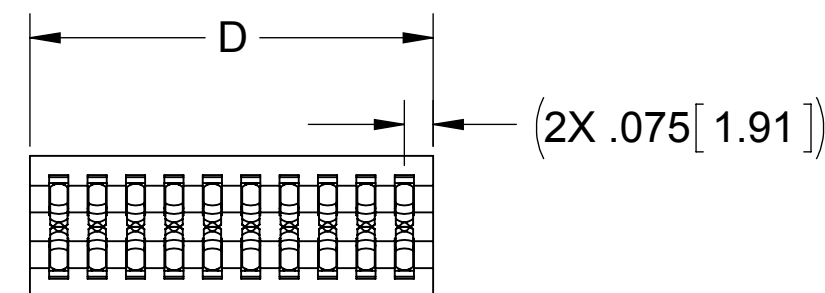
- NOTES:
- INSULATOR MATERIAL: PA9T
 - CONTACT MATERIAL: PHOSPHOR BRONZE
 - PLATING: SEE PART NUMBER CODING
 - OPERATING TEMPERATURE: -65°C TO +125°C
 - PROCESSING TEMP: 260°C FOR 20 SECONDS MAX
 - UL FLAMMABILITY RATING: 94V-0
 - OPERATING VOLTAGE: 700 VAC MINIMUM AT SEA LEVEL
 - CURRENT RATING: 3 AMP PER CONTACT
 - CONTACT RESISTANCE: 30 MILLI OHMS MAX
 - INSULATION RESISTANCE: 5000 MEGA OHMS
 - DURABILITY: 500 CYCLES MIN
 - CONNECTOR IDENTIFICATION: THE PART SHALL BE MARKED WITH A PART NUMBER AND LOT CODE
 - BOARD THICKNESS ACCOMMODATED: .062 ± .008 [1.57 ± 0.20]
 - INSERTION FORCE: 16 OZ MAX PER CONTACT PAIR WHEN USING A .062 [1.57] TEST BLADE
INTERNAL INSPECTION TO BE PER SULLIN'S WORK INSTRUCTION WI7.3-01
 - WITHDRAWAL FORCE: 1 OZ MIN PER CONTACT PAIR USING .062 [1.57] PCB
 - MODIFICATION: FULL BODY STANDOFFS, MAKE BEFORE BREAK (MBB) CONTACT, CARD EXTENDER BEND FOR .062" PCB



UNLESS OTHERWISE SPECIFIED: DIMENSIONS ARE IN INCHES [MM]		DRAWN	DATE	NAME	
			11/15/2011	JH	
TOLERANCES:					<small>THE INFORMATION HEREIN CONTAINS PROPRIETARY INFORMATION OF SULLINS ELECTRONICS AND IS NOT TO BE REPRODUCED, USED OR DISCLOSED TO OTHERS FOR ANY PURPOSE EXCEPT AS SPECIFICALLY AUTHORIZED IN WRITING BY AN OFFICER OF SULLINS ELECTRONICS.</small>
ANGULAR: ± 1°					
DECIMALS .XX = ± .02 [.5] .XXX = ± .005 [.13] .XXXX = ± .0005 [.013]					
		TITLE		.100 CC HP MBB CONNECTOR	
		PART NUMBER		G_C_DCS (SC)_S527	
SIZE	CAGE CODE	DWG. NO.		REV	
C	54453	C10196		D	
SCALE: 3:1		SHEET 1 OF 2			

CUSTOMER COPY

PART NUMBER*	NO. OF POS.	A±.008[0.20]		B±.008[0.20]		C±.015[0.38]		D±.020[0.51]		F±.020[0.51]	
		IN	MM	IN	MM	IN	MM	IN	MM	IN	MM
G_C02D__ - S527	2	0.100	2.54	0.300	7.62	0.460	11.68	0.250	6.35	0.340	8.64
G_C04D__ - S527	4	0.300	7.62	0.500	12.70	0.660	16.76	0.450	11.43	0.540	13.72
G_C06D__ - S527	6	0.500	12.70	0.700	17.78	0.860	21.84	0.650	16.51	0.740	18.80
G_C08D__ - S527	8	0.700	17.78	0.900	22.86	1.060	26.92	0.850	21.59	0.940	23.88
G_C10D__ - S527	10	0.900	22.86	1.100	27.94	1.260	32.00	1.050	26.67	1.140	28.96
G_C12D__ - S527	12	1.100	27.94	1.300	33.02	1.460	37.08	1.250	31.75	1.340	34.04
G_C14D__ - S527	14	1.300	33.02	1.500	38.10	1.660	42.16	1.450	36.83	1.540	39.12
G_C16D__ - S527	16	1.500	38.10	1.700	43.18	1.860	47.24	1.650	41.91	1.740	44.20
G_C18D__ - S527	18	1.700	43.18	1.900	48.26	2.060	52.32	1.850	46.99	1.940	49.28
G_C20D__ - S527	20	1.900	48.26	2.100	53.34	2.260	57.40	2.050	52.07	2.140	54.36
G_C22D__ - S527	22	2.100	53.34	2.300	58.42	2.460	62.48	2.250	57.15	2.340	59.44
G_C24D__ - S527	24	2.300	58.42	2.500	63.50	2.660	67.56	2.450	62.23	2.540	64.52
G_C26D__ - S527	26	2.500	63.50	2.700	68.58	2.860	72.64	2.650	67.31	2.740	69.60
G_C28D__ - S527	28	2.700	68.58	2.900	73.66	3.060	77.72	2.850	72.39	2.940	74.68
G_C30D__ - S527	30	2.900	73.66	3.100	78.74	3.260	82.80	3.050	77.47	3.140	79.76
G_C32D__ - S527	32	3.100	78.74	3.300	83.82	3.460	87.88	3.250	82.55	3.340	84.84
G_C34D__ - S527	34	3.300	83.82	3.500	88.90	3.660	92.96	3.450	87.63	3.540	89.92
G_C36D__ - S527	36	3.500	88.90	3.700	93.98	3.860	98.04	3.650	92.71	3.740	95.00
G_C38D__ - S527	38	3.700	93.98	3.900	99.06	4.060	103.12	3.850	97.79	3.940	100.08
G_C40D__ - S527	40	3.900	99.06	4.100	104.14	4.260	108.20	4.050	102.87	4.140	105.16
G_C42D__ - S527	42	4.100	104.14	4.300	109.22	4.460	113.28	4.250	107.95	4.340	110.24
G_C44D__ - S527	44	4.300	109.22	4.500	114.30	4.660	118.36	4.450	113.03	4.540	115.32
G_C46D__ - S527	46	4.500	114.30	4.700	119.38	4.860	123.44	4.650	118.11	4.740	120.40
G_C48D__ - S527	48	4.700	119.38	4.900	124.46	5.060	128.52	4.850	123.19	4.940	125.48
G_C50D__ - S527	50	4.900	124.46	5.100	129.54	5.260	133.60	5.050	128.27	5.140	130.56

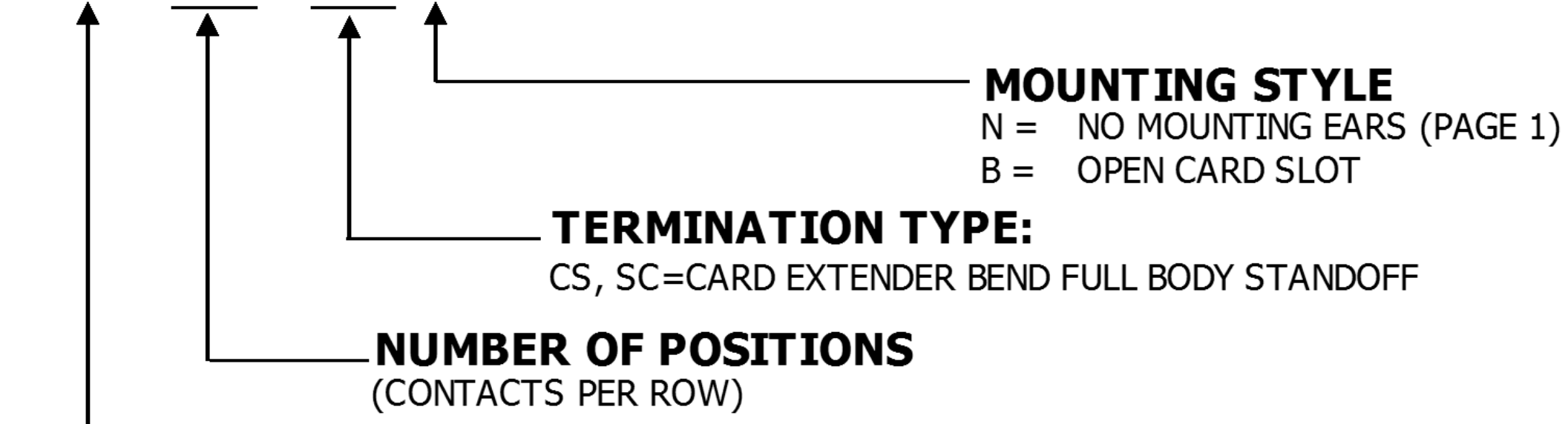


G_C__DCSB-S527
G_C__DSCB-S527

'B' MOUNTING AVAILABLE IN ALL POSITIONS,
FOR 'N' MOUNTING, CONSULT FACTORY FOR AVAILABLE POSITIONS

PART NUMBER CODING

G C__ D__ - S527



ALL PLATINGS ARE LEAD FREE & HAVE .000050" NICKEL UNDERPLATE CONTACT SURFACE

TERMINATION
.000100" PURE TIN, MATTE
.000100" PURE TIN, MATTE

B = .000010" GOLD
C = .000030" GOLD



CUSTOMER COPY

UNLESS OTHERWISE SPECIFIED: DIMENSIONS ARE IN INCHES [MM]		DRAWN	DATE	NAME		
TOLERANCES:			11/15/2011	JH		
ANGULAR: ± 1°		<small>THE INFORMATION HEREIN CONTAINS PROPRIETARY INFORMATION OF SULLINS ELECTRONICS AND IS NOT TO BE REPRODUCED, USED OR DISCLOSED TO OTHERS FOR ANY PURPOSE EXCEPT AS SPECIFICALLY AUTHORIZED IN WRITING BY AN OFFICER OF SULLINS ELECTRONICS.</small>			TITLE .100 CC HP MBB CONNECTOR	
DECIMALS .XX=± .02 [.5] .XXX=± .005 [.13] .XXXX=± .0005 [.013]					PART NUMBER G_C__DCS (SC)_-S527	
SCALE: 2:1		SIZE	CAGE CODE	DWG. NO.	REV	
		C	54453	C10196	D	
		SHEET 2 OF 2				