

SUMMARY



Image is for illustrative purpose only

Wires

Low voltage	22
Coax	1

Series	3B
Termination type	Male solder mixed / multi coax
IP rating	50
AWG wire size	30.00 - 22.00
Cable Ø	10.80 - 11.90 mm
Status	active
Matching parts	EGG.3B.822.CLL2

Download

- [Request a quote](#)
- [Catalog](#)

TECHNICAL DETAILS

Mechanics

Shell Style/Model	FG*: Straight plug, cable collet
Keying	1 key (alpha=0, plug: male contacts, receptacle: female contacts)
Housing Material	Brass (chrome plated [SAE AMS 2460]) shell and collet nut, nickel plated [SAE AMS QQ N 290] brass latch sleeve and mid pieces
Weight	47.58 g

Performance

Configuration	3B.822 : 1 Coax (50 Ohm), 22 Low V.
Insulator	L: PEEK (UL 94 / V-0/1.5)
Rated Current	5 Amps

Specifications

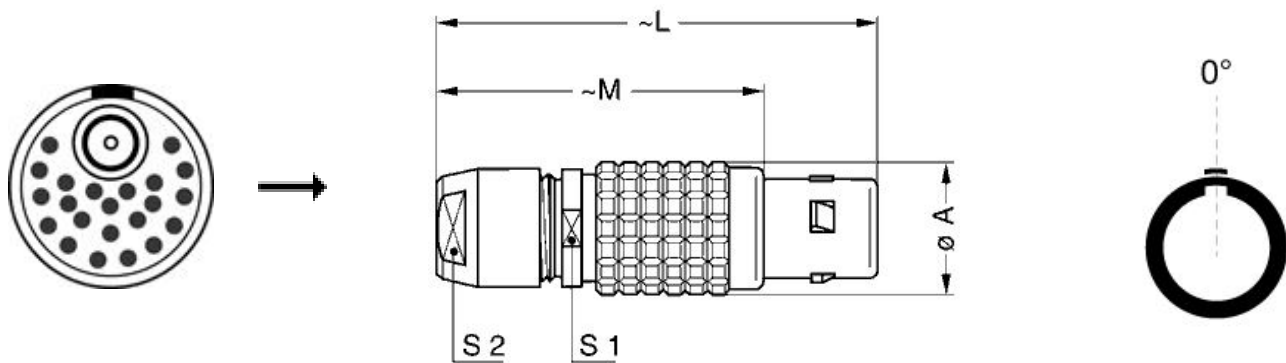
Contact Type: Coaxial 50 Ohm (Crimp) Type C
Contact Dia.: 0.7 mm (0.03in)
R (max): 5.8 mOhm
Test voltage (kV rms): 0.7
Test voltage (kV dc): 1
Cable type: RG 179 B/U, RG 187 A/U

Others

LEMO products and services are provided "as is". LEMO makes no warranties or representations with regard to LEMO product & services or use of them, express, implied or statutory, including for accuracy, completeness, or security. The user is fully responsible for his products and applications using LEMO components.

Endurance (Shell): 5000
 Temp (min / max): -55°C / +250°C
 Humidity (max): <=95% [at 60 deg C / 140 F]
 Vibration: 15 g [10 Hz - 2000 Hz]
 Shock Resistance: 100 g [6 ms]
 Climatical Category: 50/175/21
 Shielding (min): 75 dB (10 MHz)
 Shielding (min): 40 dB (1 GHz)
 Salt Spray Corrosion: >1000 hr

DRAWINGS



Dimensions

	A	L	M	S1	S2
mm.	18	58	43	15	14
in.	0,71	2,28	1,69	0,59	0,55

RECOMMENDED BY LEMO

Tools

Extractor: [DCC.91.384.5LA](#)
 Die Tool: [DPE.99.103.8K](#)
 Spanner wrench: [DCD.3B.ZZZ.PA140](#)

LEMO products and services are provided "as is". LEMO makes no warranties or representations with regard to LEMO product & services or use of them, express, implied or statutory, including for accuracy, completeness, or security. The user is fully responsible for his products and applications using LEMO components.

Caps:

[BFG.3B.100.PCSG](#)

LEMO products and services are provided "as is". LEMO makes no warranties or representations with regard to LEMO product & services or use of them, express, implied or statutory, including for accuracy, completeness, or security. The user is fully responsible for his products and applications using LEMO components.