

MODEL: CMS-15118C-SP | **DESCRIPTION:** SPEAKER**FEATURES**

- micro-speaker
- small footprint
- low profile
- spring leads

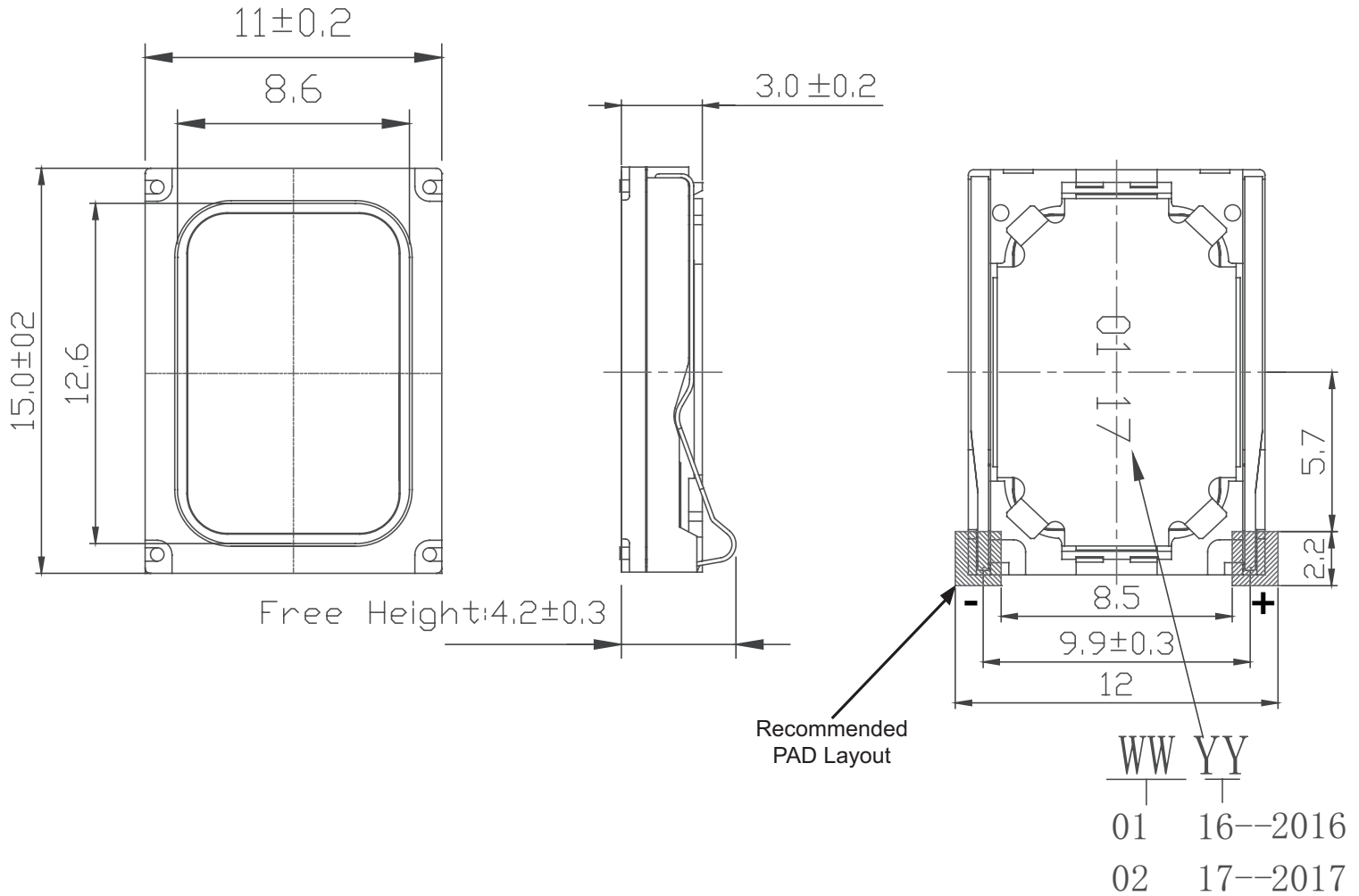
**SPECIFICATIONS**

| parameter | conditions/description | min | typ | max | units |
|-------------------------|---|--------------|------------|--------------|--------------|
| input power | maximum power: IEC-60268-5, filter 60s on/120s off, 10 cycles at room temp in 1 cc closed box | | 0.8 | 1.0 | W |
| impedance | at 2.0 kHz | 6.8 | 8 | 9.2 | Ω |
| resonant frequency (Fo) | at 1.0 V at 1.0 V in 1 cc closed box | 400 722.5 | 500 850 | 600 977.5 | Hz Hz |
| frequency response | output SPL \pm 10 dB | Fo | | 10,000 | Hz |
| sound pressure level | at 0.8 W, 0.1 m, at 2.0 kHz in 1 cc closed box | 85 | 88 | 91 | dB |
| distortion | at 1.0 kHz, 0.8 W | | | 10 | % |
| buzz, rattle, etc. | must be normal at sine wave between Fo ~ 20 kHz in 1 cc closed box | | 2.53 | | V |
| polarity | cone will move forward with positive dc current to "+" terminal | | | | |
| dimensions | 15 x 11 x 3 | | | | mm |
| magnet | Nd-Fe-B | | | | |
| material | PPA | | | | |
| cone material | mylar | | | | |
| terminal | spring contact | | | | |
| weight | | | 1.4 | | g |
| operating temperature | | -20 | | 75 | $^{\circ}$ C |
| storage temperature | | -30 | | 85 | $^{\circ}$ C |
| RoHS | yes | | | | |

Notes: 1. All specifications measured at 5~35 $^{\circ}$ C, humidity at 45~85%, under 86~106 kPa pressure, unless otherwise noted.

MECHANICAL DRAWING

units: mm
tolerance: ± 0.2 mm

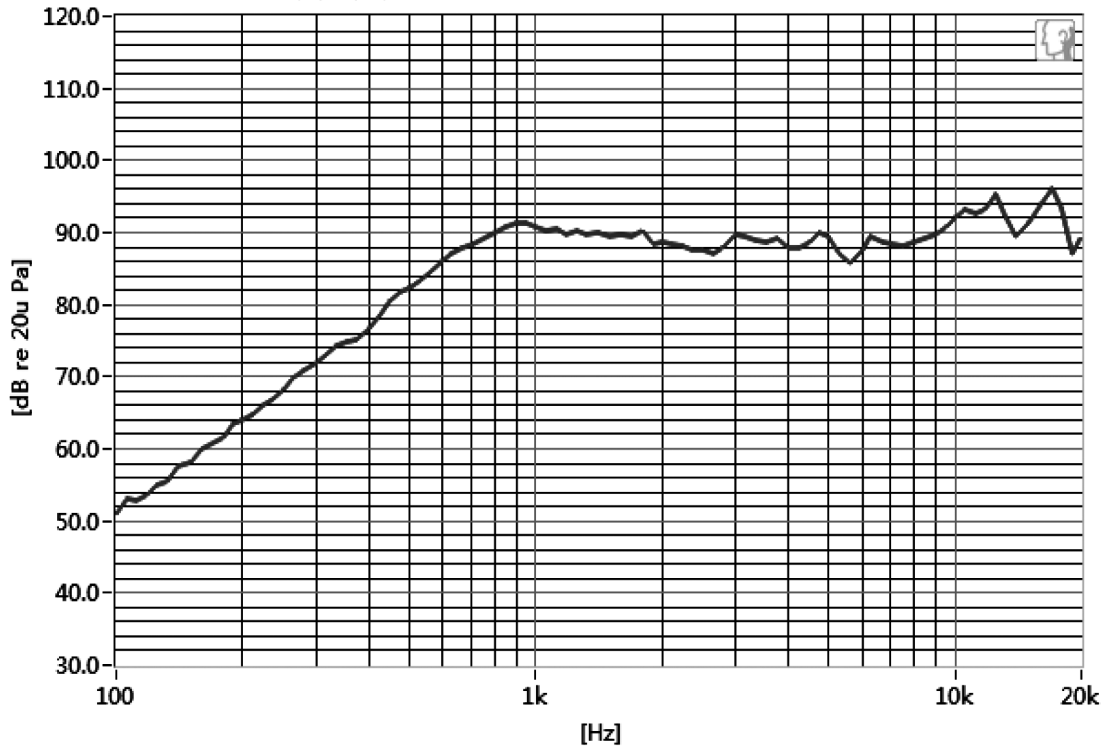


Note: 1. Maximum compression force between front frame and back frame & yoke is 5 N.

RESPONSE CURVES

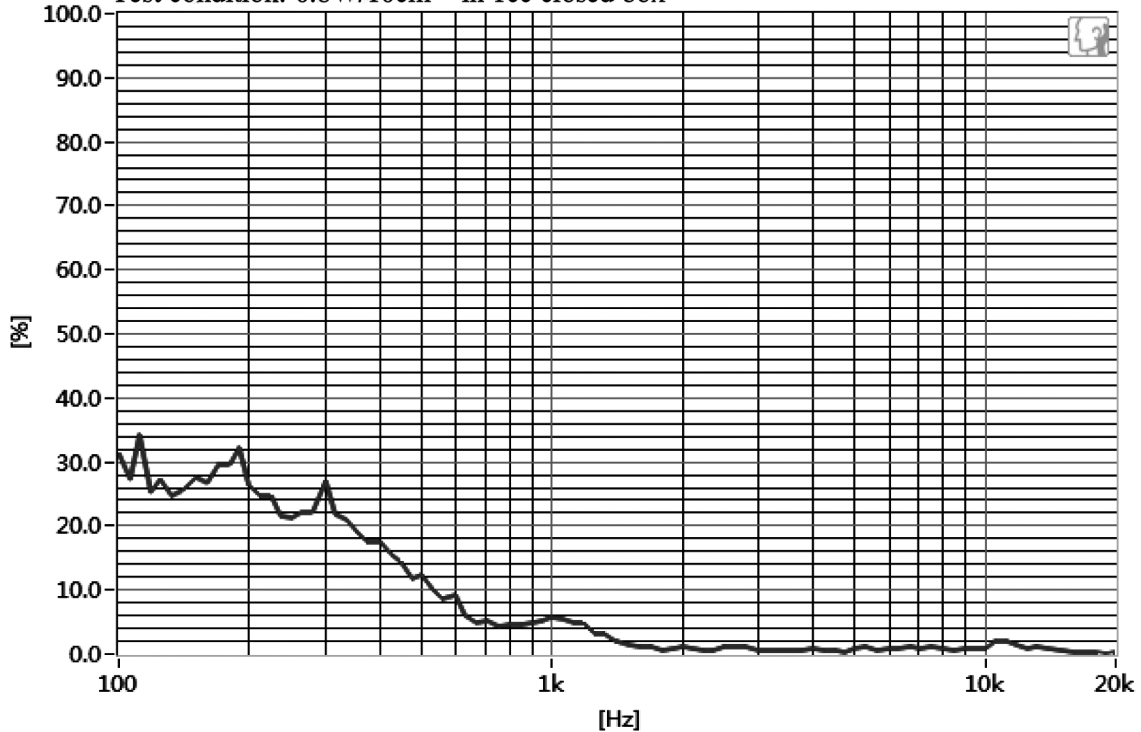
Frequency Response Curve

Test condition: 0.8W/10cm in 1cc closed box



Total Harmonic Distortion Curve

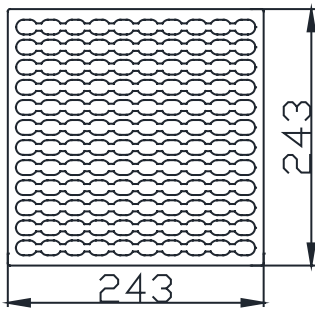
Test condition: 0.8W/10cm in 1cc closed box



PACKAGING

units: mm

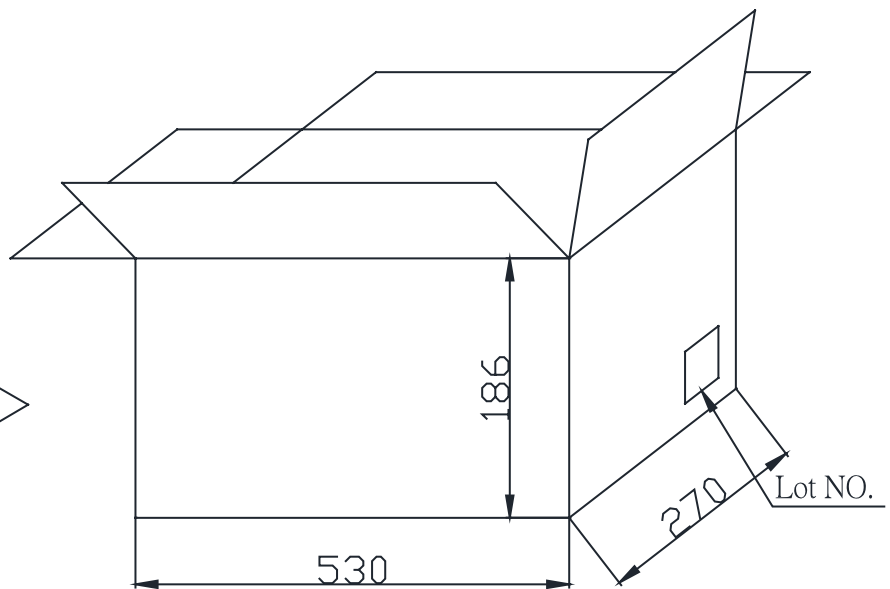
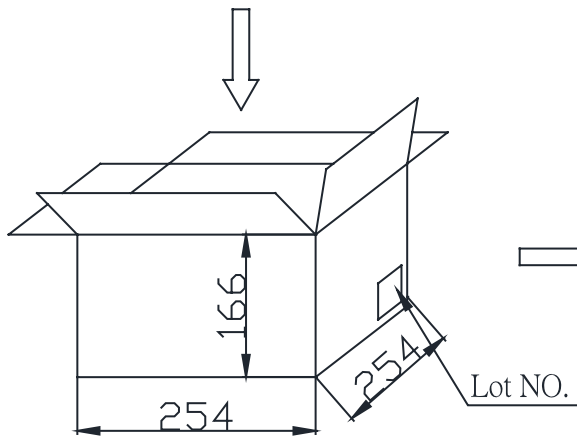
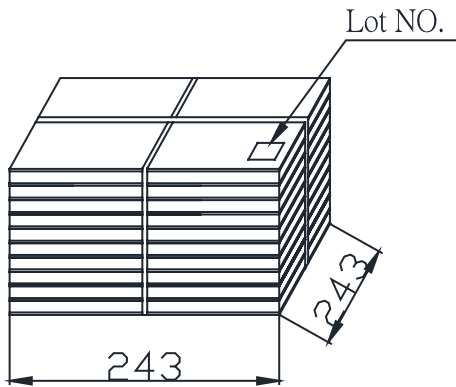
Tray Size: 243 x 243 x 10 mm
 Carton Size: 530 x 270 x 186 mm
 Tray QTY: 120 pcs per tray
 Carton QTY: 3,600 pcs per carton



120PCS

| | |
|---------------|-------------------------|
| Lot No. | XXXXXXXXXX |
| Part No. | CUI Inv#. CUI Part#. |
| Quantity. | XXXX Pcs |
| Date: | DD MM YY |
| MADE IN CHINA | |
| CUI DEVICES | |

RoHS Compliant



REVISION HISTORY

| rev. | description | date |
|------|------------------|------------|
| 1.0 | initial release | 07/06/2017 |
| 1.01 | brand update | 01/20/2020 |
| 1.02 | modified housing | 10/27/2020 |

The revision history provided is for informational purposes only and is believed to be accurate.

CUI DEVICES

CUI Devices offers a one (1) year limited warranty. Complete warranty information is listed on our website.

CUI Devices reserves the right to make changes to the product at any time without notice. Information provided by CUI Devices is believed to be accurate and reliable. However, no responsibility is assumed by CUI Devices for its use, nor for any infringements of patents or other rights of third parties which may result from its use.

CUI Devices products are not authorized or warranted for use as critical components in equipment that requires an extremely high level of reliability. A critical component is any component of a life support device or system whose failure to perform can be reasonably expected to cause the failure of the life support device or system, or to affect its safety or effectiveness.