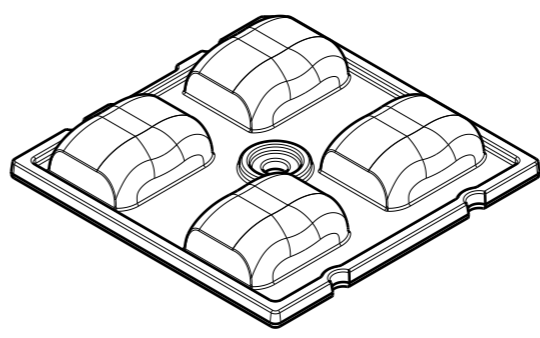
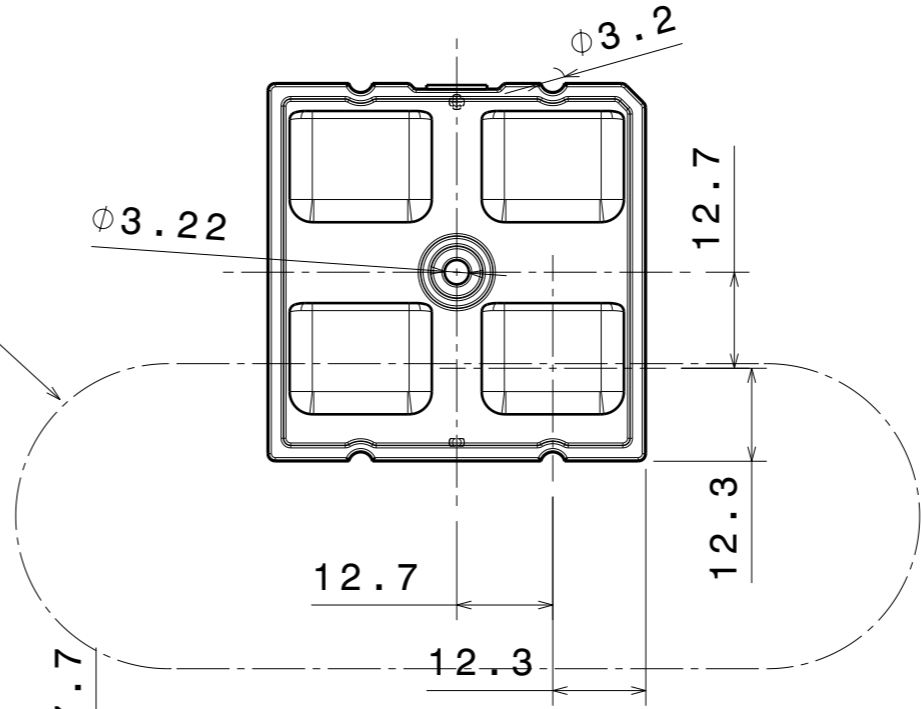


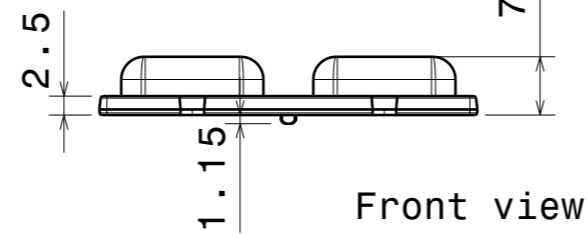
Bottom view



Isometric view



Top view



Front view

Beam Direction

PART	TYPE	MATERIAL	COLOR / COATING
C15413_STRADA-2X2-T2		PC	

MECHANICAL DRAWING		LEDiL [®]
PRODUCT STRADA		
Plastic moulding general tolerances according to DIN 16901-130 and applies if not otherwise shown in the drawing. Silicone moulding general tolerances according to ISO 3302-1 Class M3 and applies if not otherwise shown in the drawing.	FIRST ANGLE PROJECTION: 	This drawing is the property of LEDiL Oy. It may not be copied or otherwise distributed without prior written permission from LEDiL Oy.
SCALE 1:1	WEIGHT 9,4 g	A3 SHEET 1/1