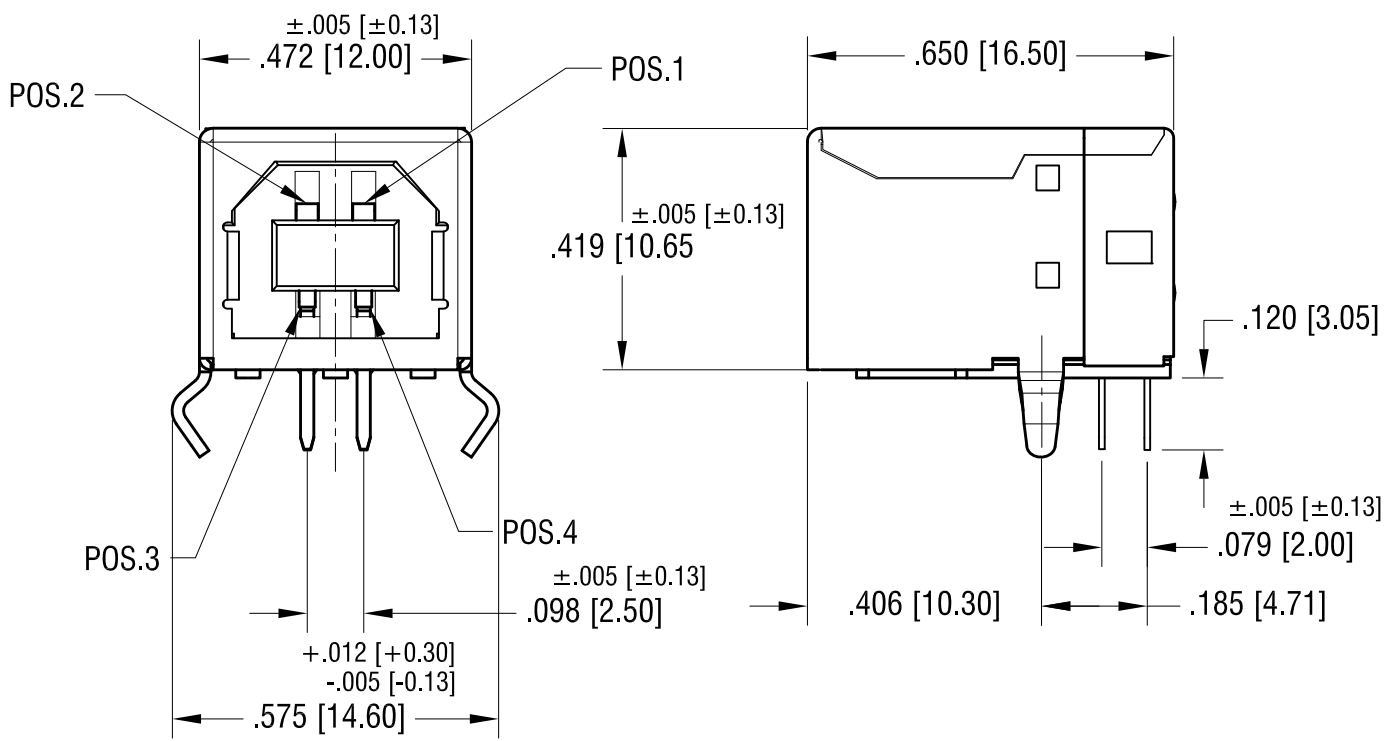
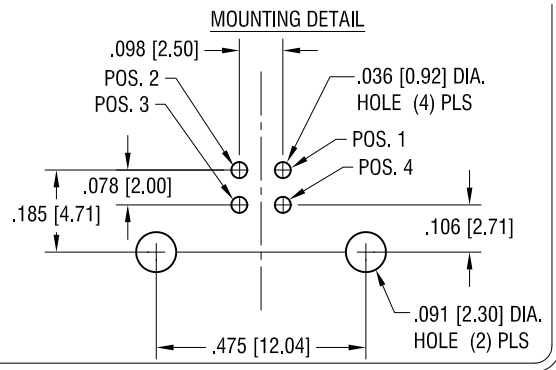
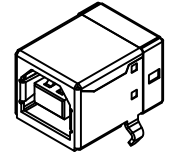


THIS DOCUMENT IS THE PROPERTY OF KEYSTONE ELECTRONICS CORP. AND SHALL NOT BE REPRODUCED, DISTRIBUTED OR USED AS A BASIS FOR MANUFACTURE WITHOUT PRIOR WRITTEN PERMISSION FROM KEYSTONE ELECTRONICS CORP.

ACTUAL SIZE



Notes:

Material:

- Shell: Mat'l- Steel
- Finish: Nickel Plate
- Insulator: LCP
- Contacts: Phosphor Bronze

Finish:

- Contact Area: Gold Plate over Nickel Plate
- on Solder Tail: Tin Plate over Nickel Plate

- Electrical Specifications**
 Rated Voltage: 30V AC (rms)
 Contact Current Rating: 1 A Max.
 Contact Resistance: 30 milliohms Max.
 Dielectric Withstanding: 750V AC
 Operating Temperature: -55°C to 85°C

2.01.16	CHANGE AS PER ECN 16-021	F
3.10.11	CHANGE AS PER ECN 11-036	E
12.17.09	CHANGE AS PER ECN 09-190	D
6.8.05	CHANGE AS PER ECN 05-034	C
10.21.02	CHANGE AS PER ECN 02-069	B
8.17.99	CHANGE AS PER ECN 99-059	A
DATE	DESCRIPTION	REV.

KEYSTONE ELECTRONICS CORP.			
www.keyelco.com • NEW HYDE PARK, NY 11040 • Tel (516) 328-7500			
PART NAME		USB B-TYPE HORIZONTAL SOCKET	
MATERIAL		AS NOTED	
FINISH	AS NOTED	DRN BY	BOONE
		DATE	6.18.98
		APP'D	SCALE
			3X
TOLERANCES	INCH [MM]	CODE	DWG NO.
DECIMAL	± .010 [± 0.25]	C	924
ANGULAR	± 1°		
UNLESS OTHERWISE SPECIFIED			