

**PLEASE CHECK WWW.MOLEX.COM FOR LATEST PART INFORMATION**

**Part Number:** [0740589002](#)  
**Status:** **Active**  
**Overview:** VHDM Backplane Connector Systems  
**Description:** VHDM Single-Ended Board-to-Board Backplane Header, 2.00mm Pitch, Vertical, 6 Rows, Guide Pin Signal Module, Pin End Version, 60 Circuits, 10 Columns, Pin Length 6.25mm

**Documents:**

[Drawing \(PDF\)](#) [Packaging Specification PK-74058-003-001 \(PDF\)](#)  
[Product Specification PS-74031-999-001 \(PDF\)](#) [RoHS Certificate of Compliance \(PDF\)](#)

**Agency Certification**

UL E29179

**General**

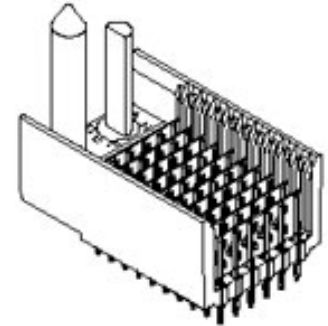
Product Family Backplane Connectors  
 Series [74058](#)  
 Application Backplane  
 Application Tooling Documents TM-622010999-001  
 Comments No Keying Position  
 Component Type PCB Header  
 Overview [VHDM Backplane Connector Systems](#)  
 Product Name VHDM  
 UPC 822350227858

**Physical**

Circuits (Loaded) 60  
 Circuits (maximum) 60  
 Color - Resin Black  
 Durability (mating cycles max) 200  
 First Mate / Last Break No  
 Flammability 94V-0  
 Guide to Mating Part Yes  
 Keying to Mating Part None  
 Material - Plating Mating Gold  
 Material - Plating Termination Matte Tin  
 Net Weight 7.172/g  
 Number of Columns 25  
 Number of Pairs Open Pin Field  
 Number of Rows 6  
 Orientation Vertical  
 PC Tail Length 2.50mm  
 PCB Locator No  
 PCB Retention None  
 PCB Thickness - Recommended 1.80mm  
 Packaging Type Tube  
 Pitch - Mating Interface 2.00mm  
 Pitch - Termination Interface 1.00mm  
 Plating min - Mating 0.762µm  
 Plating min - Termination 0.762µm  
 Polarized to PCB Yes  
 Surface Mount Compatible (SMC) Yes  
 Temperature Range - Operating 105°C  
 Termination Interface: Style Through Hole - Compliant Pin

**Electrical**

Current - Maximum per Contact 2.0A



Series image - Reference only

**EU ELV**

**Not Relevant**

**EU RoHS**

**Compliant**

**REACH SVHC**

Contained Per -  
 D(2021)4569-DC (8 July 2021)  
 Dihexyl-phthalate  
 Phenanthrene  
 Imidazolidine-2-thione  
 Dipentyl phthalate  
 bis(2-(2-methoxyethoxy)ethyl) ether  
 Benzo(ghi)perylene  
 Octanoic acid,  
 2,2,3,3,4,4,5,5,6,6,7,7,8,8,8-pen  
 Dodecamethylcyclohexasiloxane  
 Octamethylcyclotetrasiloxane  
 1,2-Benzenedicarboxylic acid, bis(3-methylbutyl)  
 1,2-diethoxyethane  
 Dibutyltin-dichloride  
 C.I. Direct Black 38  
 Ammonium-pentadecafluorooctanoate  
 Phenol, 2-(2H-benzotriazol-2-yl)-4,6-bis(1,1-dimethylbutyl)  
 2,4-Di-tert-butyl-6-(5-chlorobenzotriazol-2-yl)p  
 2-(2H-Benzotriazol-2-yl)-4,6-ditertpentylphenol  
 2-(2H-Benzotriazol-2-yl)-4-(tert-butyl)-6-(sec-b  
 Terphenyl,  
 hydrogenated

**China RoHS**

Data Rate 3.125 Gbps  
Shield Type Ground Plane Shield  
Shielded Yes  
Voltage - Maximum 120V AC (RMS)/DC

**Solder Process Data**

Lead-free Process Capability N/A

**Material Info**

**Reference - Drawing Numbers**

Packaging Specification PK-74058-003-001  
Product Specification PS-74031-999-001  
Sales Drawing SD-74058-002-001

diisohexyl phthalate  
1,2-  
Benzenedicarboxylic  
acid, dipentyl ester, br  
n-pentyl-  
isopentylphthalate  
Aluminosilicate  
Refractory Ceramic  
Fibres  
Nonadecafluorodecanoic  
acid (PFDA) and its  
sodiu  
Perfluorobutane  
sulfonic acid (PFBS)  
and its sal  
Fluoranthene  
Pyrene  
Dodecachloropentacyclo[12.2.1.16,9.02,13.05,10]o  
Methylhexahydrophthalic  
anhydride  
Lead chromate  
Lead chromate  
molybdate sulfate red  
Lead sulfochromate  
yellow  
Tris(2-chloroethyl)  
phosphate  
Boric acid, disodium  
salt, hydrate  
Strontium-chromate  
1,2-  
Benzenedicarboxylic  
acid, di-C7-11-  
branched  
Potassium  
hydroxyoctaoxodizincatedichromate  
Pentazinc-chromate-  
octahydroxide  
1,2-Dimethoxyethane  
Decabromodiphenylether  
Diboron-trioxide  
Cadmium-oxide  
Cadmium-sulphide  
Lead(II,IV)-oxide  
pyrochlore, antimony  
lead yellow  
Lead-dinitrate  
Lead oxide sulfate  
(Pb2O(SO4))  
Lead-titanium-trioxide  
Trilead-dioxide-  
phosphonate  
Tetralead-trioxide-  
sulphate  
Dioxobis(stearato)trilead  
Cyanamide, lead(2+)  
salt (1:1)  
Cadmium Hydroxide  
Sulfurous Acid, Lead  
Salt, Dibasic  
Silicic acid (H2Si2O5),  
barium salt (1:1),  
lead-  
[Phthalato(2-)]dioxotrilead

Fatty Acids, C16-18,  
Lead Salts  
N,N-  
Dimethylformamide

**Halogen-Free**

**Status**

**Low-Halogen**

For more information, please visit [Contact US](#)

China ROHS

Green Image

ELV

Not Relevant

RoHS Phthalates

Not Contained

**Search Parts in this Series**

[74058](#) Series

**Mates With**

[74030](#) VHDM Board-to-Board Daughtercard  
Receptacle

**Application Tooling | [FAQ](#)**

*Tooling specifications and manuals are found by selecting the products below. Crimp Height Specifications are then contained in the Application Tooling Specification document.*

**Global**

<b>Description</b>	<b>Product #</b>
Signal Pin Inserter Repair Tool	<a href="#">622015700</a>
6-Row Pin and Shield Repair Tool	<a href="#">622015800</a>
6-Row Shield Extraction Tool	<a href="#">622016000</a>

This document was generated on 09/21/2021

**PLEASE CHECK [WWW.MOLEX.COM](http://WWW.MOLEX.COM) FOR LATEST PART INFORMATION**