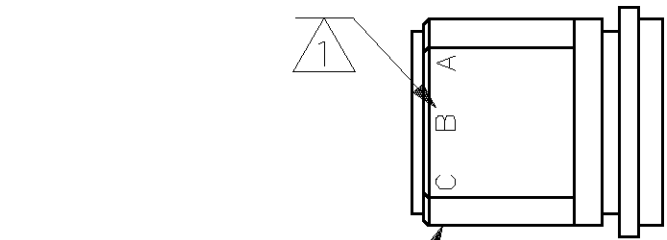


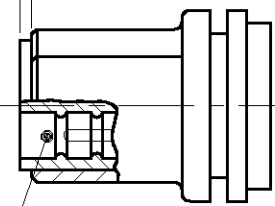
THIS DRAWING IS UNPUBLISHED. RELEASED FOR PUBLICATION, 19
 © COPYRIGHT 19 BY AMP INCORPORATED. ALL INTERNATIONAL RIGHTS RESERVED.

LOC	DIST	P	F	ZONE	LTR	DESCRIPTION	DATE	APPD
DF	50				A	REV PER 063D-0228-99 CT	4-00	DE

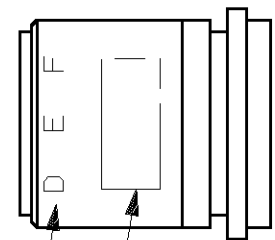


PLUG SHELL
 MAT'L: POLYESTER
 MLDG. CMPD.
 COLOR: BLACK

.030 ± .005

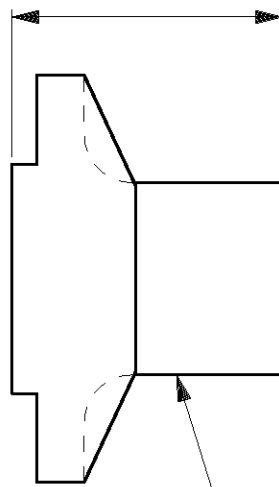


MOLDED SLUG
 MAT'L: SILICONE RUBBER
 COLOR: RED

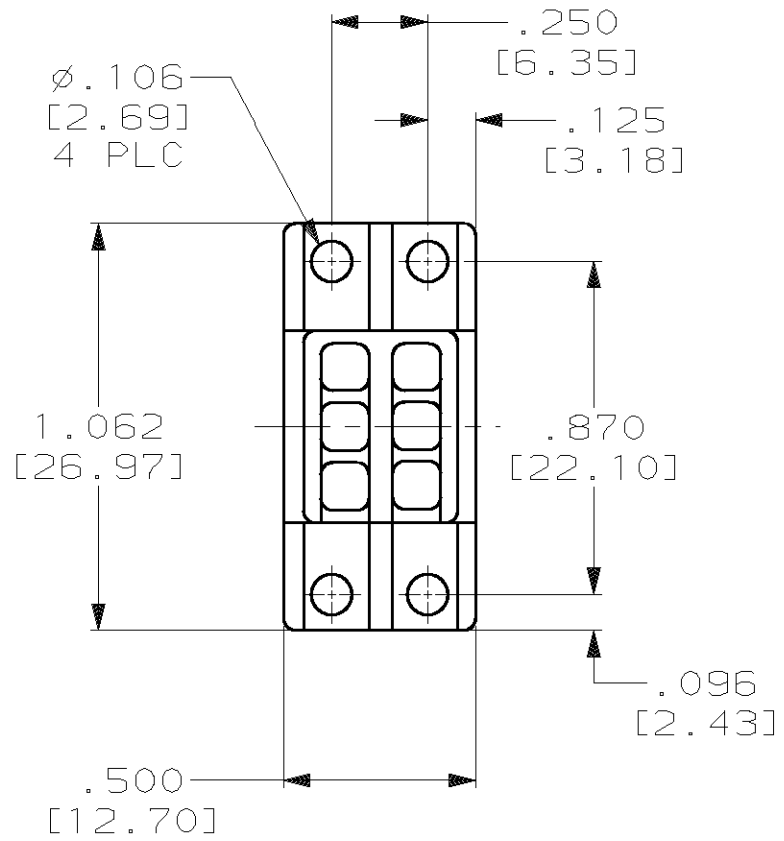


AMP INFORMATION

PIN CONTACT; SIZE #22 (QTY=6)
 MAT'L: BRONZE PER ASTM-B-140
 FINISH: GOLD PER MIL-G-45204
 OVER NICKEL PER QQ-N-290



POTTING SHELL
 MAT'L: POLYESTER
 MLDG. CMPD.
 COLOR: BLACK



.125 ^{+0.010} _{-.005}
 [3.18 ^{+0.25} _{-0.13}]

1 MARKED PER MIL-STD-130.

THIS DRAWING IS A CONTROLLED DOCUMENT FOR AMP INCORPORATED. IT IS SUBJECT TO CHANGE AND THE CONTROLLING ENGINEERING ORGANIZATION SHOULD BE CONTACTED FOR THE LATEST REVISION.

448479-1

PART NO

DO NOT SCALE PRINT. UNLESS SPECIFIED DIMENSIONS IN INCHES [mm]	DR C.C. THOMAS 7-9-92
TOLERANCES ON:	CHK 7-13-92
2 PLC DEC ± -	D.EABY
3 PLC DEC ± .005 [0.13]	APPD 7-13-92
ANGLES ± -	D.EABY
MATERIAL	APPD 7-13-92
SEE CALLOUT	C.C. THOMAS
FINISH	PRODUCT SPEC -
SEE CALLOUT	APPLICATION SPEC -
	WEIGHT -

AMP INCORPORATED Harrisburg, Pa. 17105	
NAME SUB MINIATURE PLUG KIT, HIGH VOLTAGE, 6 PIN, RIGHT ANGLE	
SIZE B	FSCM NO 00779
SCALE 2:1	DRAWING NO 448479
	SHEET 1 OF 1