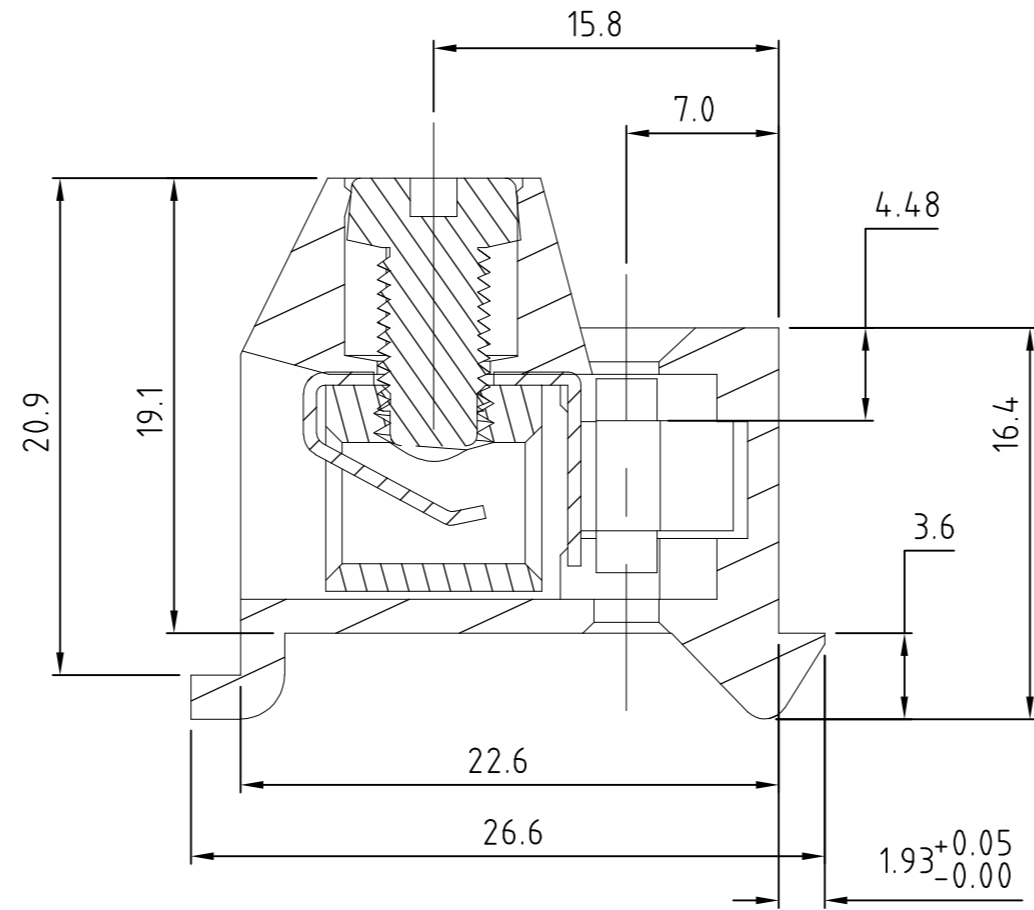
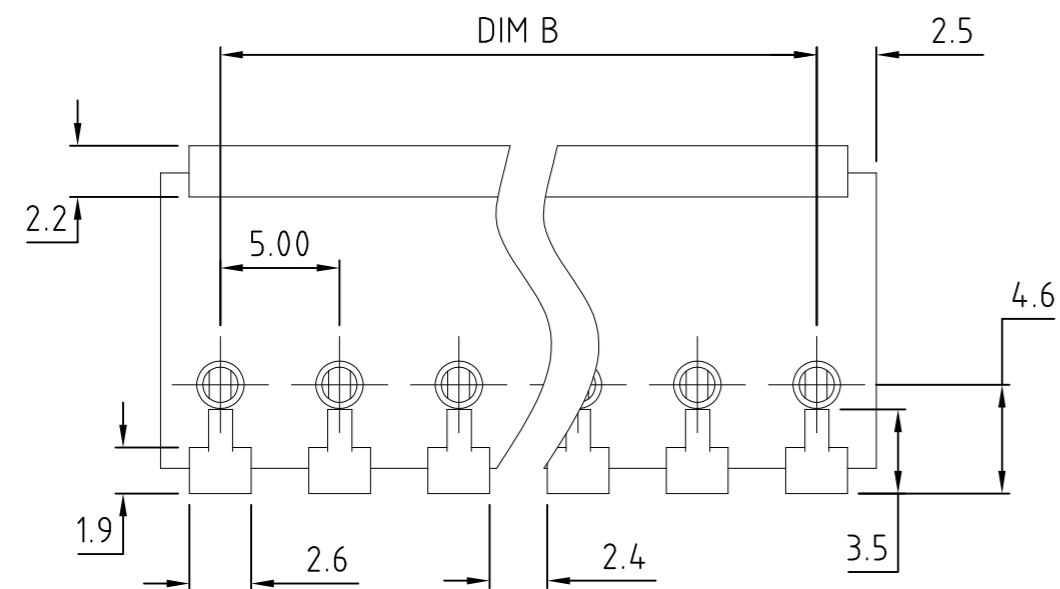
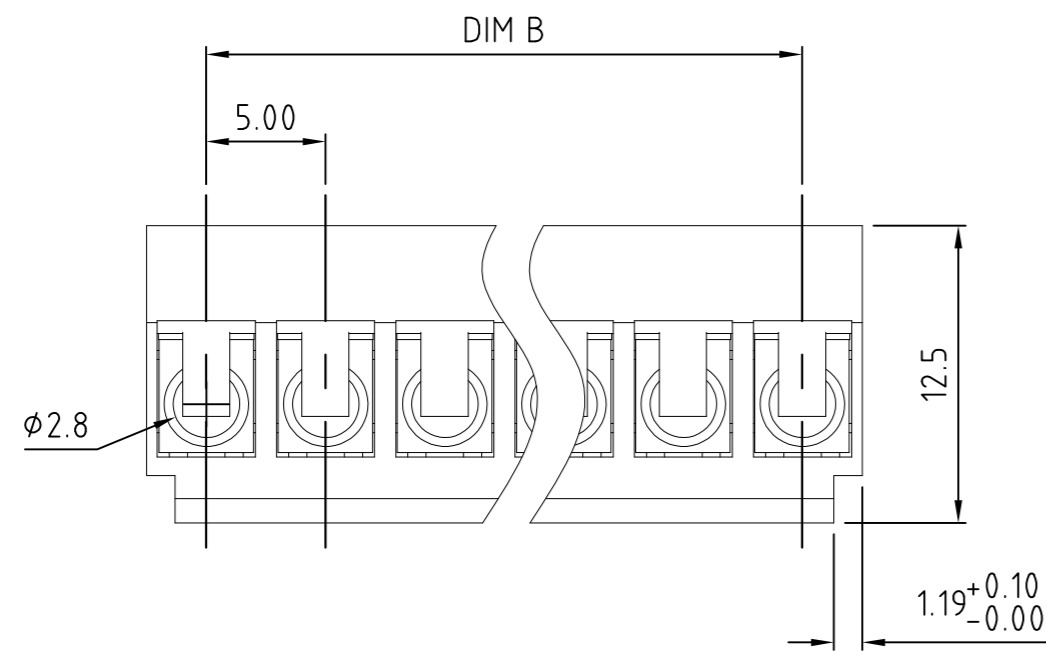
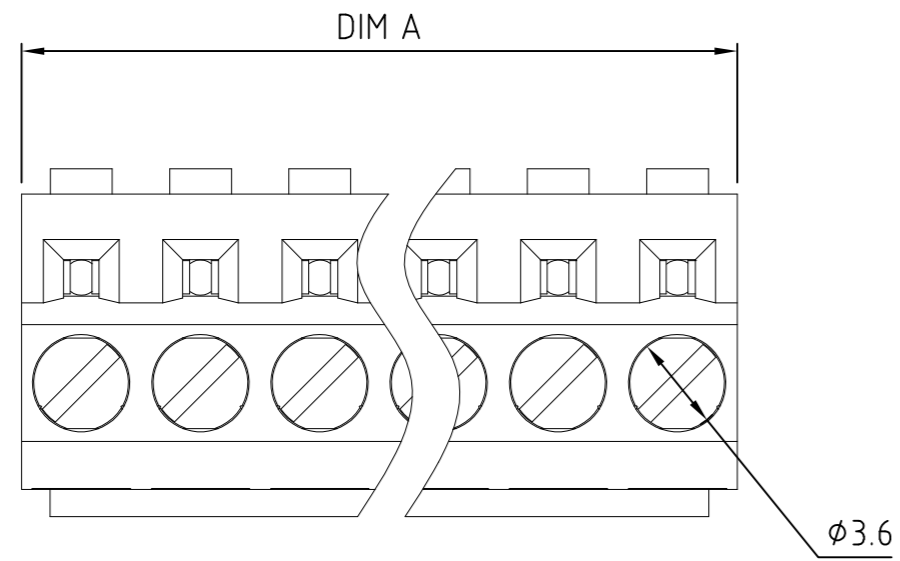


THIS DRAWING IS UNPUBLISHED. RELEASED FOR PUBLICATION
 © COPYRIGHT - By - ALL RIGHTS RESERVED.

| REVISIONS | | | | |
|-----------|-----|-------------|-----------|-------|
| P | LTR | DESCRIPTION | DATE | APVD |
| A | | NEW DRAWING | 03MAY2016 | RS RH |



SPECIFICATIONS:

MATERIALS

CONTACT BLOCK: BRASS, NICKEL PLATED
 WIRE GUARD: PHOSPHORUS BRONZE, TIN PLATED
 SCREW: STEEL, ZINC PLATED, M2.6
 BODY: POLYAMIDE (UL94-V0)

ELECTRICAL

VOLTAGE RATING: 300 VAC
 CURRENT RATING: 10 A
 WITHSTANDING VOLTAGE: 1500 VAC FOR 1 MINUTE
 WIRE RANGE: 14 - 26 AWG

MECHANICAL

TORQUE: 3.5 IN-LBS MAX
 OPERATING TEMPERATURE: -40°C TO +115°C

1 ALL MATERIALS AND FINISHES SHALL COMPLY WITH EU DIRECTIVE 2002/95/EC OF 27JAN2003 (ROHS).

2 MATES WITH PIN STRIPS, 2213865.

| | | | |
|-------|-------|-----------|----------------|
| 55.0 | 60.0 | 12 | 1-2213864-2 |
| 45.0 | 50.0 | 10 | 1-2213864-0 |
| 40.0 | 45.0 | 9 | 2213864-9 |
| 35.0 | 40.0 | 8 | 2213864-8 |
| 30.0 | 35.0 | 7 | 2213864-7 |
| 25.0 | 30.0 | 6 | 2213864-6 |
| 20.0 | 25.0 | 5 | 2213864-5 |
| 15.0 | 20.0 | 4 | 2213864-4 |
| 10.0 | 15.0 | 3 | 2213864-3 |
| 5.0 | 10.0 | 2 | 2213864-2 |
| DIM B | DIM A | POSITIONS | TE PART NUMBER |

| | | | | | | | | | | | | | | | | | | | | | | | |
|---|---|--|-----------|------------------|---------------|---|-----|-------|---|------|-------|---|---|-------|---|---|--------|---|---|------------------|--|-----------------------------|--|
| THIS DRAWING IS A CONTROLLED DOCUMENT. | | DWN | 03MAY2016 | | | | | | | | | | | | | | | | | | | | |
| | | CHK | 03MAY2016 | | | | | | | | | | | | | | | | | | | | |
| | | APVD | 03MAY2016 | | | | | | | | | | | | | | | | | | | | |
| | | PRODUCT SPEC | | | | | | | | | | | | | | | | | | | | | |
| DIMENSIONS: mm | | TOLERANCES UNLESS OTHERWISE SPECIFIED: | | NAME | | | | | | | | | | | | | | | | | | | |
| <table border="0"> <tr><td>0 PLC</td><td>±</td><td>-</td></tr> <tr><td>1 PLC</td><td>±</td><td>0.3</td></tr> <tr><td>2 PLC</td><td>±</td><td>0.01</td></tr> <tr><td>3 PLC</td><td>±</td><td>-</td></tr> <tr><td>4 PLC</td><td>±</td><td>-</td></tr> <tr><td>ANGLES</td><td>±</td><td>-</td></tr> </table> | | 0 PLC | ± | - | 1 PLC | ± | 0.3 | 2 PLC | ± | 0.01 | 3 PLC | ± | - | 4 PLC | ± | - | ANGLES | ± | - | APPLICATION SPEC | | 5.00MM SCREW TERMINAL BLOCK | |
| 0 PLC | ± | - | | | | | | | | | | | | | | | | | | | | | |
| 1 PLC | ± | 0.3 | | | | | | | | | | | | | | | | | | | | | |
| 2 PLC | ± | 0.01 | | | | | | | | | | | | | | | | | | | | | |
| 3 PLC | ± | - | | | | | | | | | | | | | | | | | | | | | |
| 4 PLC | ± | - | | | | | | | | | | | | | | | | | | | | | |
| ANGLES | ± | - | | | | | | | | | | | | | | | | | | | | | |
| MATERIAL | | FINISH | | SIZE | RESTRICTED TO | | | | | | | | | | | | | | | | | | |
| | | | | A2 | - | | | | | | | | | | | | | | | | | | |
| | | | | CAGE CODE | DRAWING NO | | | | | | | | | | | | | | | | | | |
| | | | | 00779 | C=2213864 | | | | | | | | | | | | | | | | | | |
| | | | | SCALE | SHEET | | | | | | | | | | | | | | | | | | |
| | | | | 1:1 | 1 of 1 | | | | | | | | | | | | | | | | | | |
| | | | | REV | A | | | | | | | | | | | | | | | | | | |
| | | | | CUSTOMER DRAWING | | | | | | | | | | | | | | | | | | | |

2213864

B

A