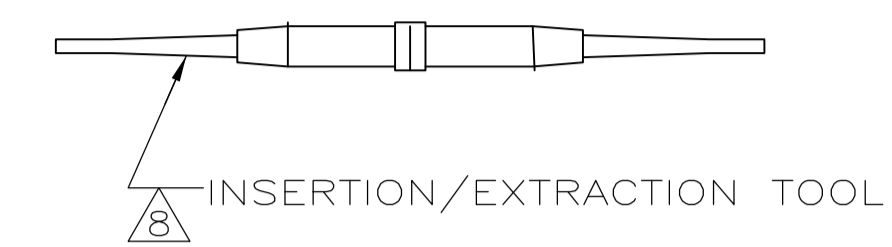
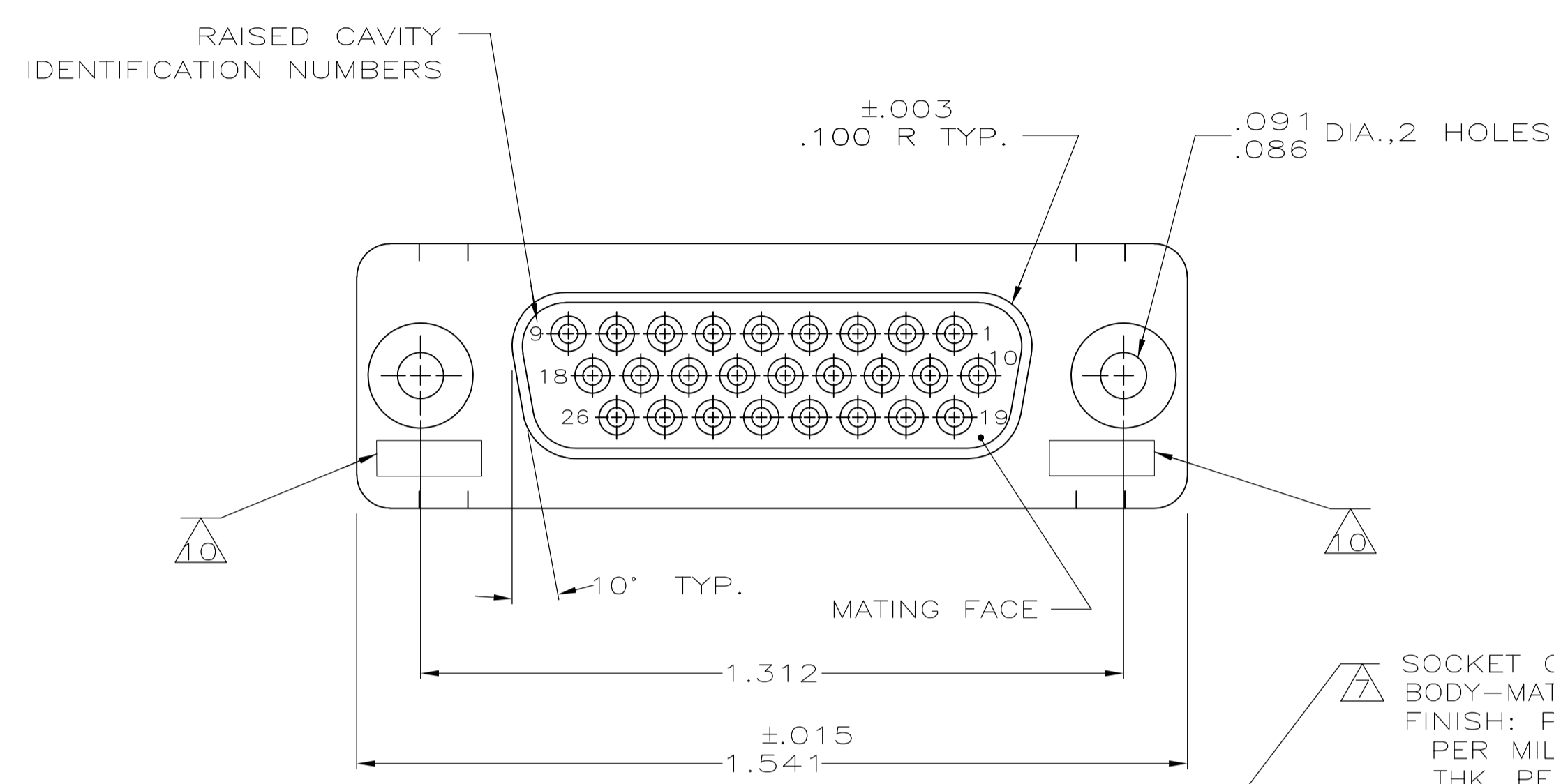
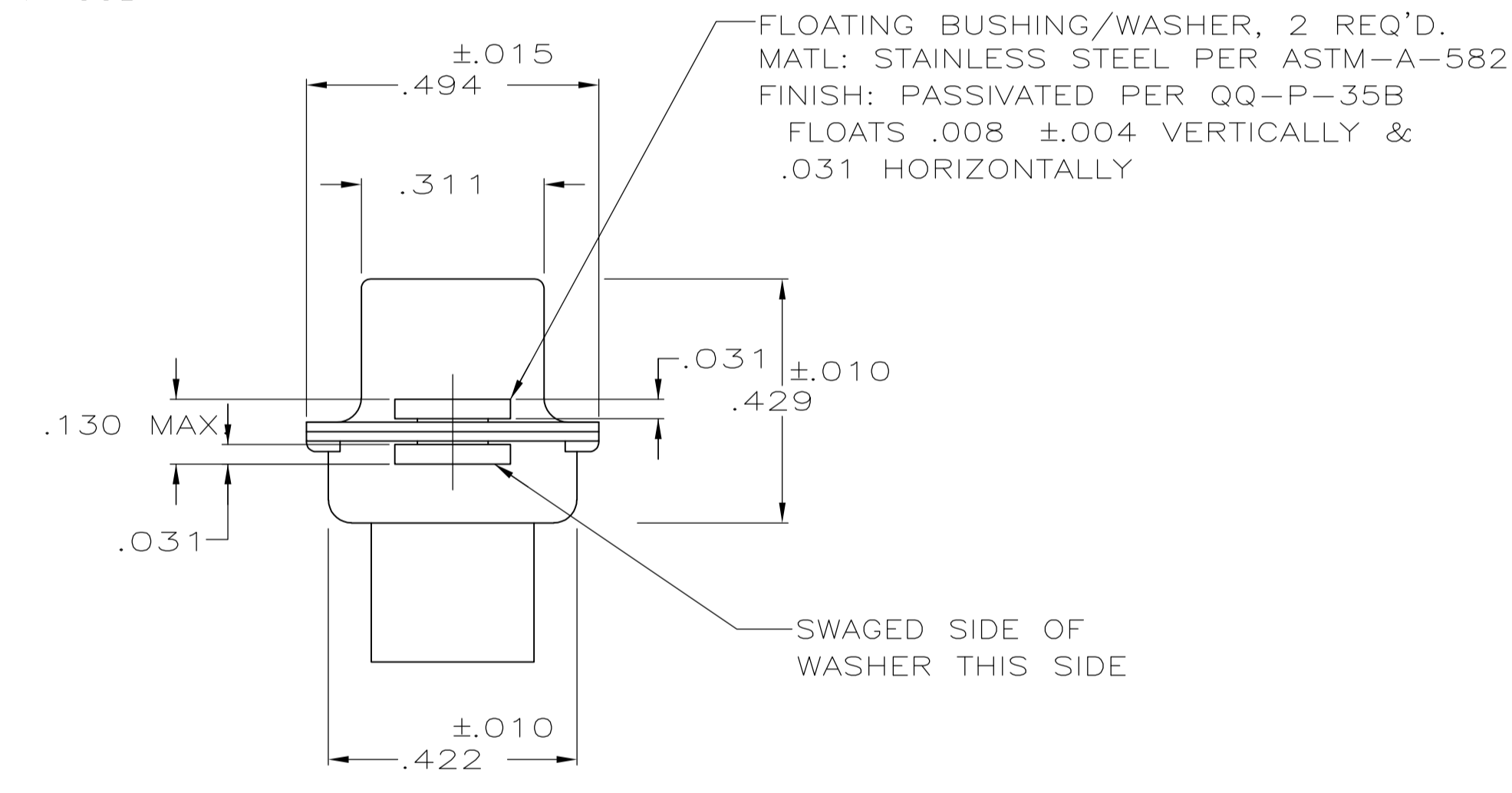
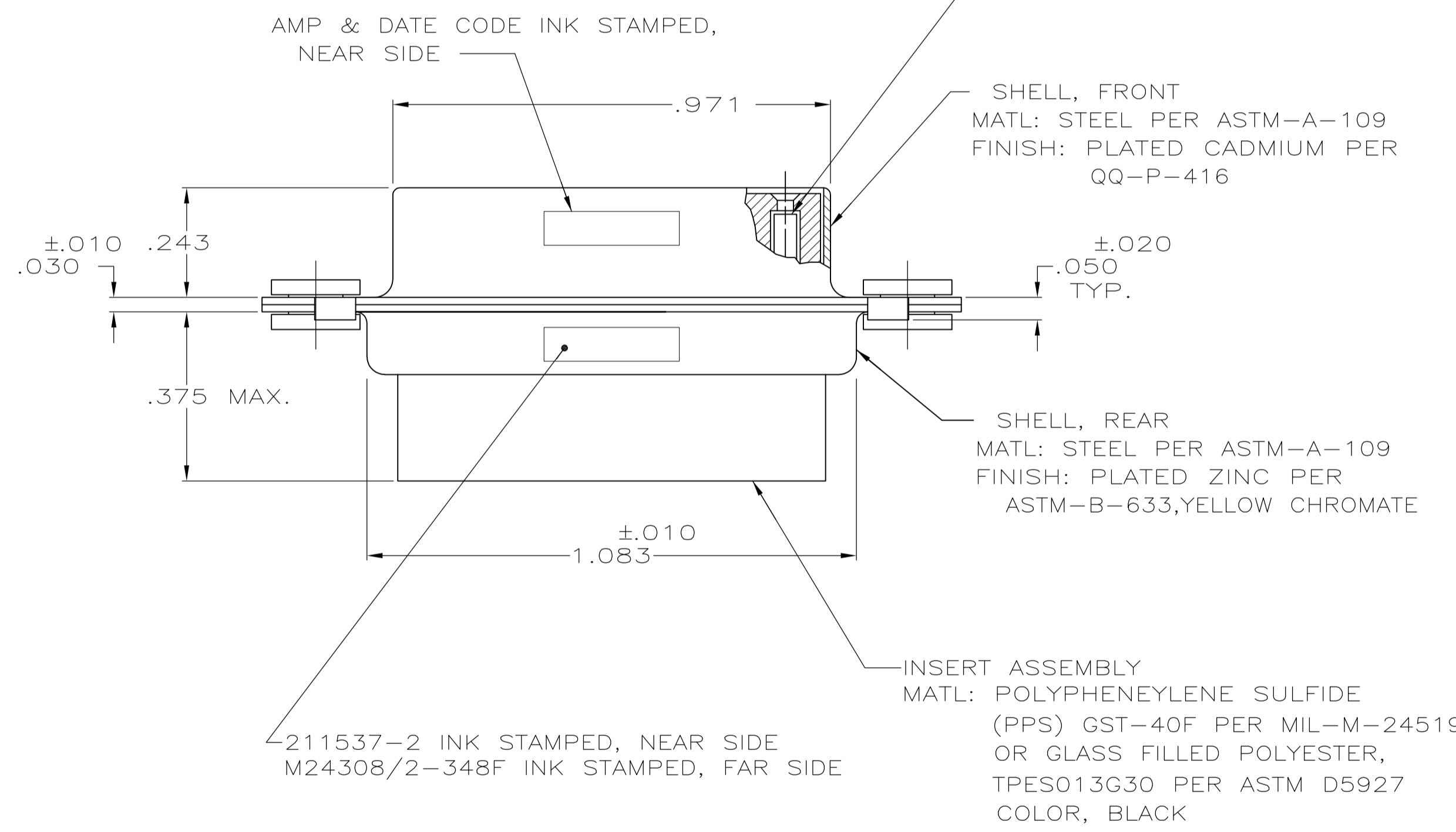


LOC		DIST		REVISIONS			
DF	DO	P	LTR	DESCRIPTION	DATE	DWN	APVO
		E		REVISED PER ECO-10-025541	24DEC10	SK	RL



SOCKET CONTACT, SIZE 22, 26 REQD.  
 BODY-MATL: BERYLLIUM COPPER PER QQ-C-530  
 FINISH: PLATED GOLD .000050 MIN. THK.  
 PER MIL-G-45204 OVER NICKEL .000050 MIN.  
 THK. PER QQ-N-290  
 HOOD-MAT'L: STAINLESS STEEL PER QQ-S-766  
 FINISH: PASSIVATED PER QQ-P-35B



- THIS RECEPTACLE WILL MATE WITH ANY 26 POSN., SIZE 2 PLUG IN AMPLIMITE SERIES.
- MAXIMUM WIRE INSULATION TO BE USED WITH THIS RECEPTACLE IS .054 DIA.
- SST RETENTION CLIPS ARE INCLUDED IN INSERTS.

- 4 PACKAGE STAMPED M24308/2-488F & AMP P/N 211537-1
- 5 PACKAGE STAMPED M24308/2-348F & AMP P/N 211537-2
- 6 PACKAGE STAMPED M24308/2-359F & AMP P/N 211537-3
- 7 AMP P/N 204351-1; MIL P/N 57-354, INCLUDED IN KIT
- 8 AMP P/N 91067-1; MIL P/N M81969/1-04
- 9 CONNECTOR SUPPLIED WITHOUT CONTACTS; SHOWN FOR ILLUSTRATION ONLY.
- 10 UL/CSA DESIGNATION STAMPED IN THIS AREA.

SUPSD BY 204538-2 & 91067-1	SAME AS -1 EXCEPT: 6 7 8	211537-3
	SAME AS -1 EXCEPT: 5 7	211537-2
	AS SHOWN	211537-1
	DESCRIPTION	PART NO

THIS DRAWING IS A CONTROLLED DOCUMENT.		DIN 7-1-85	Tyco Electronics Corporation Harrisburg, PA 17105-3608	
DIMENSIONS: INCHES	TOLERANCES UNLESS OTHERWISE SPECIFIED:	DRW D ERDMAN 9-20-85	CHK R GRZYBOWSKI 9-20-85	NAME G SACUNAS 9-20-85
0 PLC $\pm$ -	1 PLC $\pm$ -	PRODUCT SPEC		
2 PLC $\pm$ -	3 PLC $\pm$ .005	APPLICATION SPEC		
4 PLC $\pm$ -	ANGLES $\pm$ -	SIZE A1	CODE 00779	DRAWING NO C=211537
MATERIAL SEE CALLOUT	FINISH SEE CALLOUT	WEIGHT	RESTRICTED TO	CUSTOMER DRAWING
		SCALE NTS	SHEET 1 OF 1	REV E