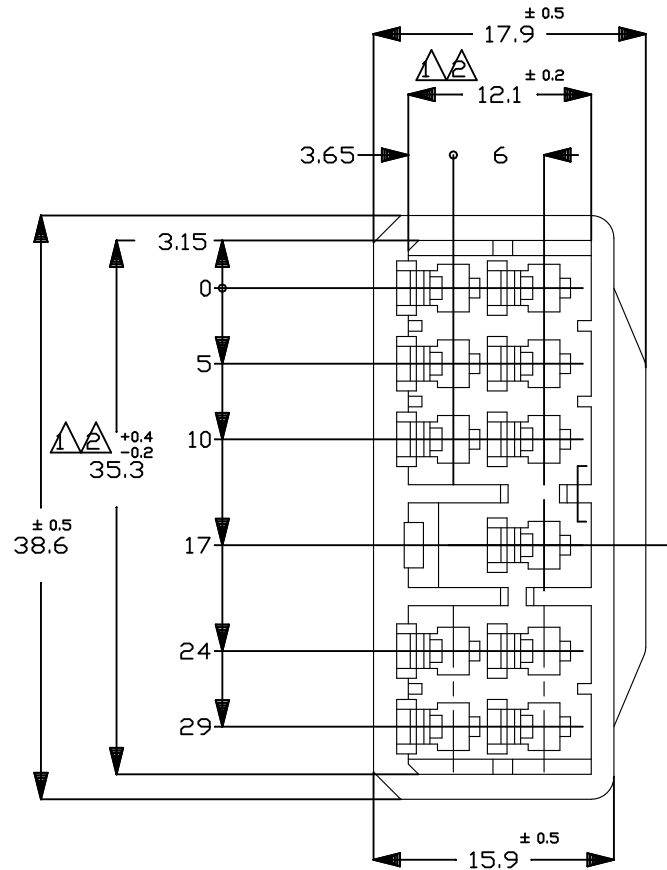
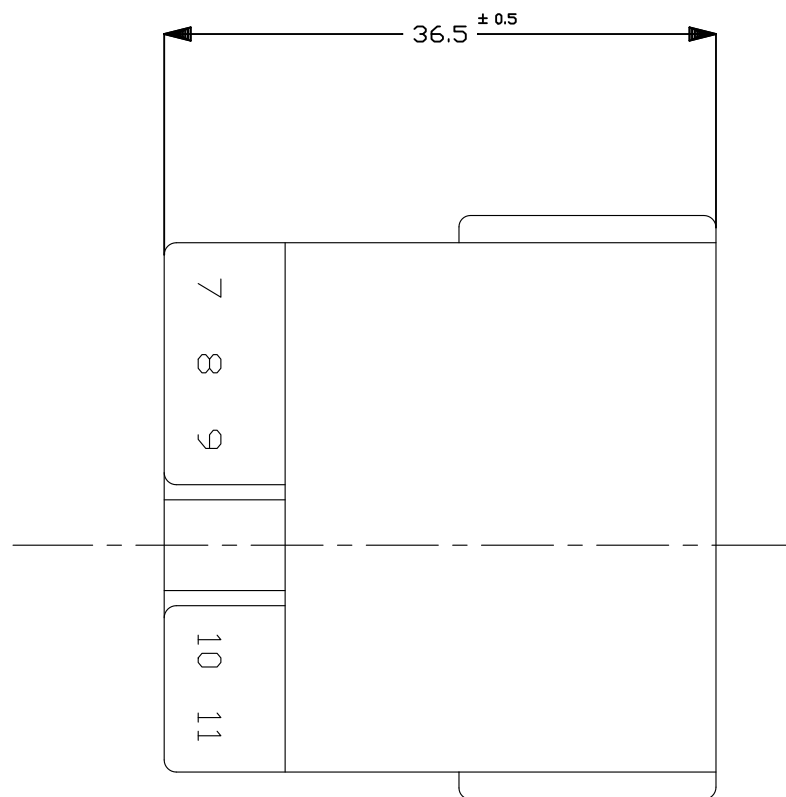


P	LTR	DESCRIPTION	DATE	DWN	APVD
	A1	REVISED PER ECR-23-165252	30JAN2023	RK	MT

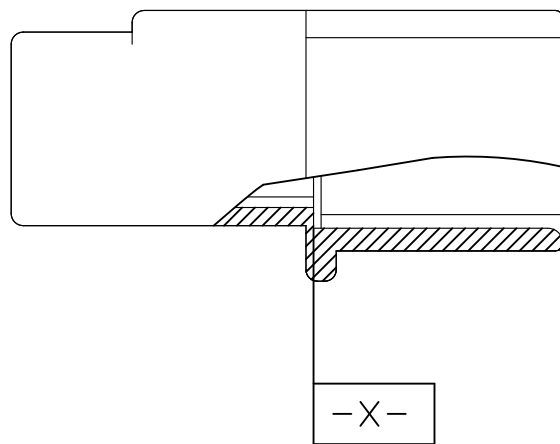


NOTES;

- △ TO BE MEASURED WITH IN 2mm FROM -A-
- △ IN COUPLING WITH THE PLUG HOUSING MATING SATISFIES FUNCTION
- 3 APPLIED CONTACT P/N 172777,172779
- 4 PRODUCT SPEC No. 108-5166
- 5 IN COUPLING WITH THE PLUG HOUSING MATING FORCE 29.4N(3Kgf)MAX. WITHOUT REC CONTACT

注 ;

- △ -A- 面より2mmの範囲で測定
- △ 相手ハウジングと所定の機能を満たして嵌合できること
- 3 内装するタブコンタクト型番172777,172779他
- 4 製品規格 NO.108-5166
- 5 相手ハウジングとの嵌合力は29.4N(3Kgf)以下  
但しタブコンタクトは含まない



172507-7	黄<YELLOW>
172507-6	灰<GRAY>
172507-5	青<BLUE>
172507-4	緑<GREEN>
172507-3	茶<BROWN>
<del>172507-2</del>	<del>黒&lt;BLACK&gt;</del>
172507-1	自然色<NATURAL>
番号<PN>	色<COLOR>

OBSOLETE

THIS DRAWING IS A CONTROLLED DOCUMENT.		DWN K.YUASA 10/12'92	TE Connectivity  11 Pos. CAP HOUSING MULTI-INTERLOCK CONN. (MIC-MKII)					
DIMENSIONS: mm		CHK A.TOMITA 10/12'92						
TOLERANCES UNLESS OTHERWISE SPECIFIED:		APVD A.TOMITA 10/12'92						
0 PLC ± - 1 PLC ± - 2 PLC ± - 3 PLC ± - 4 PLC ± - ANGLES ± -		NAME						
MATERIAL (NYLON)		FINISH -	PRODUCT SPEC -	APPLICATION SPEC -	SIZE A3	CAGE CODE 00779	DRAWING NO C-172507	RESTRICTED TO -
一般公差 <GENERAL TOLERANCE> 10以下: ±0.2 10<sup>#</sup>30以下: ±0.25 30<sup>#</sup>100以下: ±0.3 角度 ±3°		CUSTOMER DRAWING		SCALE 2:1	SHEET 1 OF 1	REV A1		