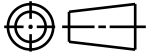
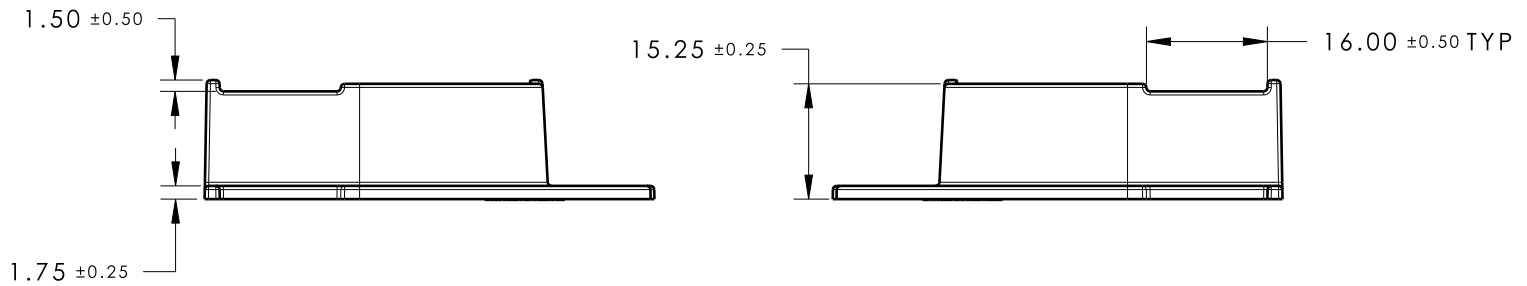
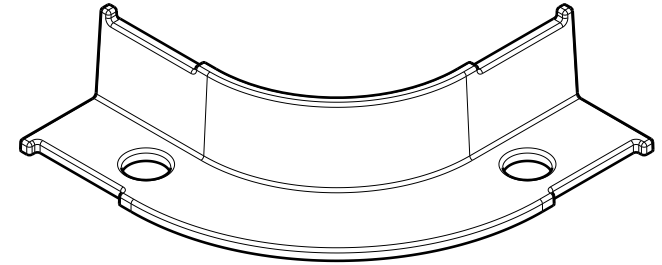
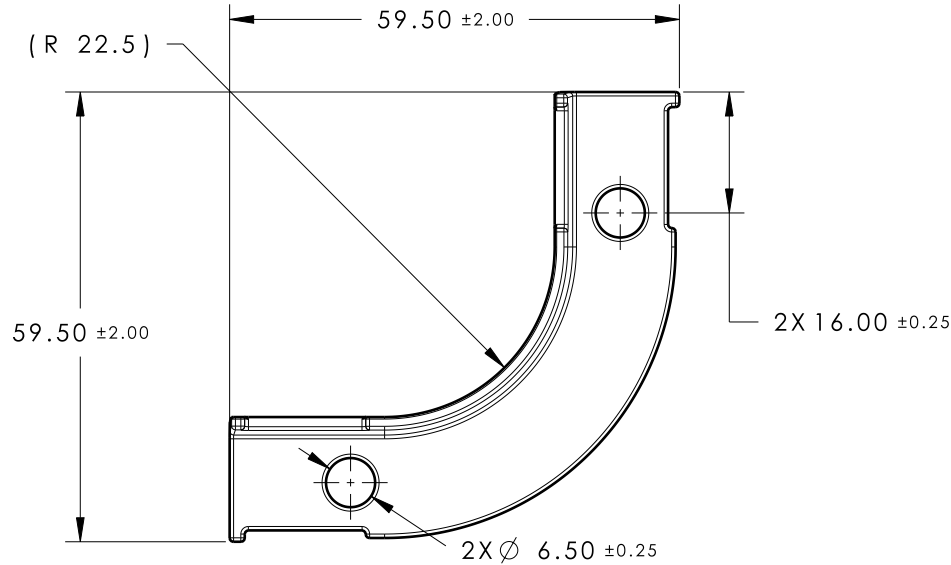


CATIA V5



Revision Level			Revision Record	Changed	Date	Approved	Date
Drawing	State	Part					
01.2	Design Release		SEE ECN# 014293	EJF	2/2/18	EJH	2/2/18



GLOBAL PART NAME
90RADMINICHNL-PPT20-BK

Material
PP 20% TALC
COLOR: BLACK

Units millimeters
Tolerance defined on each dimension

The copyright of this drawing is reserved by HellermannTyton. It is issued on condition that it is not reproduced, copied or disclosed to a third party, either wholly or in part, without the consent of HellermannTyton.

Drawn EJF 10/14/16
Approved KVH 10/14/16
HellermannTyton
North America
Email: corp@htamericas.com
Web: www.hellermann.tyton.com

Article/Type-No 90RADMINICHNL
Title 90 DEG RADIUS MINI CHANNEL
Drawing-No 16-1625-011-CSU
Production : Phase

Scale 1:1
Project Number 16-1625
Format AH
Sheet 1/1