

# Flush-type connector - SACC-DSI-FS-8CON-L180/SH TQ - 1456543

Please be informed that the data shown in this PDF Document is generated from our Online Catalog. Please find the complete data in the user's documentation. Our General Terms of Use for Downloads are valid (<http://phoenixcontact.com/download>)



Sensor/actuator flush-type socket, with water blue contact carrier, 8-pos., M12 SPEEDCON, shielded, rear/screw mounting with M16 thread, with straight solder connection



## Key Commercial Data

Packing unit	20 pc
GTIN	
GTIN	4046356617239

## Technical data

### Dimensions

Length of the solder pin	6 mm
--------------------------	------

### Ambient conditions

Ambient temperature (operation)	-25 °C ... 85 °C (Plug / socket)
Degree of protection	IP65/IP67

### General

Rated current at 40°C	2 A
Rated voltage	30 V
Number of positions	8
Insulation resistance	≥ 100 MΩ
Coding	A - standard
Standards/regulations	M12 connector IEC 61076-2-101
Status display	No
Overvoltage category	II
Degree of pollution	3
Connection method	Solder pins
Insertion/withdrawal cycles	≥ 100
Mounting type	Rear mounting M16 x 1.5 With flat nut

## Flush-type connector - SACC-DSI-FS-8CON-L180/SH TQ - 1456543

### Technical data

#### Material

Flammability rating according to UL 94	V0
Contact material	CuZn
Contact surface material	Ni/Au
Contact carrier material	PA 6.6
Material, knurls	Zinc die-cast, nickel-plated
Sealing material	FKM

#### Cable

Standards/specifications	M12 connector IEC 61076-2-101
Transmission characteristics (category)	CAT5 (IEC 11801:2002)

#### Standards and Regulations

Standard designation	M12 connector
Standards/regulations	IEC 61076-2-101
Flammability rating according to UL 94	V0

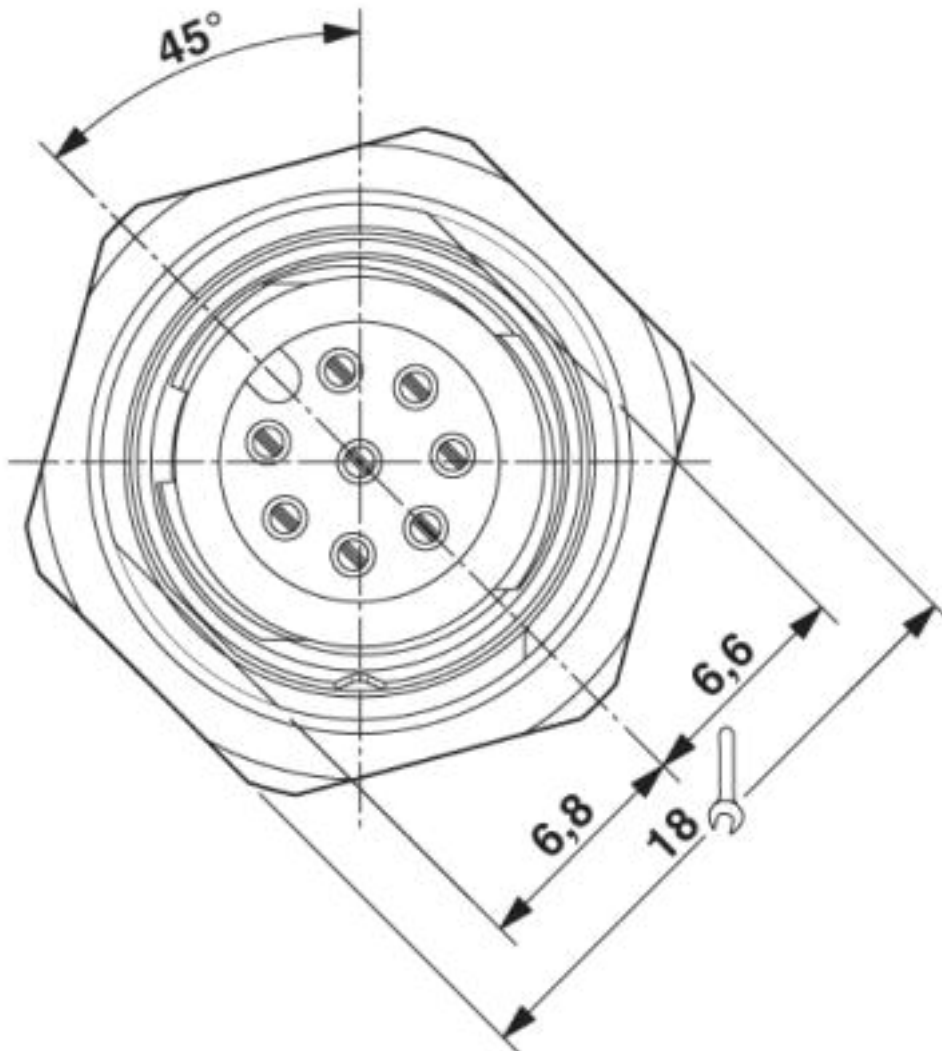
#### Environmental Product Compliance

China RoHS	Environmentally Friendly Use Period = 50
	For details about hazardous substances go to tab "Downloads", Category "Manufacturer's declaration"

### Drawings

# Flush-type connector - SACC-DSI-FS-8CON-L180/SH TQ - 1456543

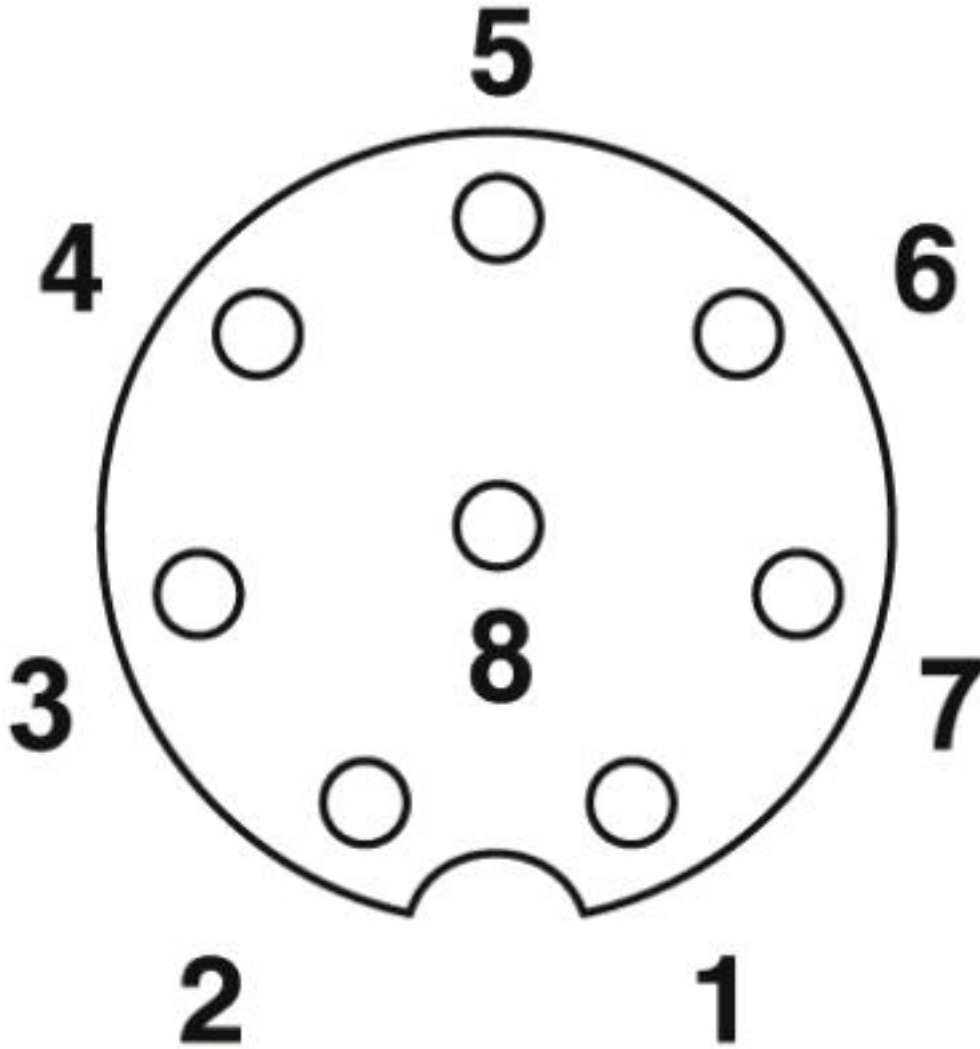
Dimensional drawing



M12 front view

# Flush-type connector - SACC-DSI-FS-8CON-L180/SH TQ - 1456543

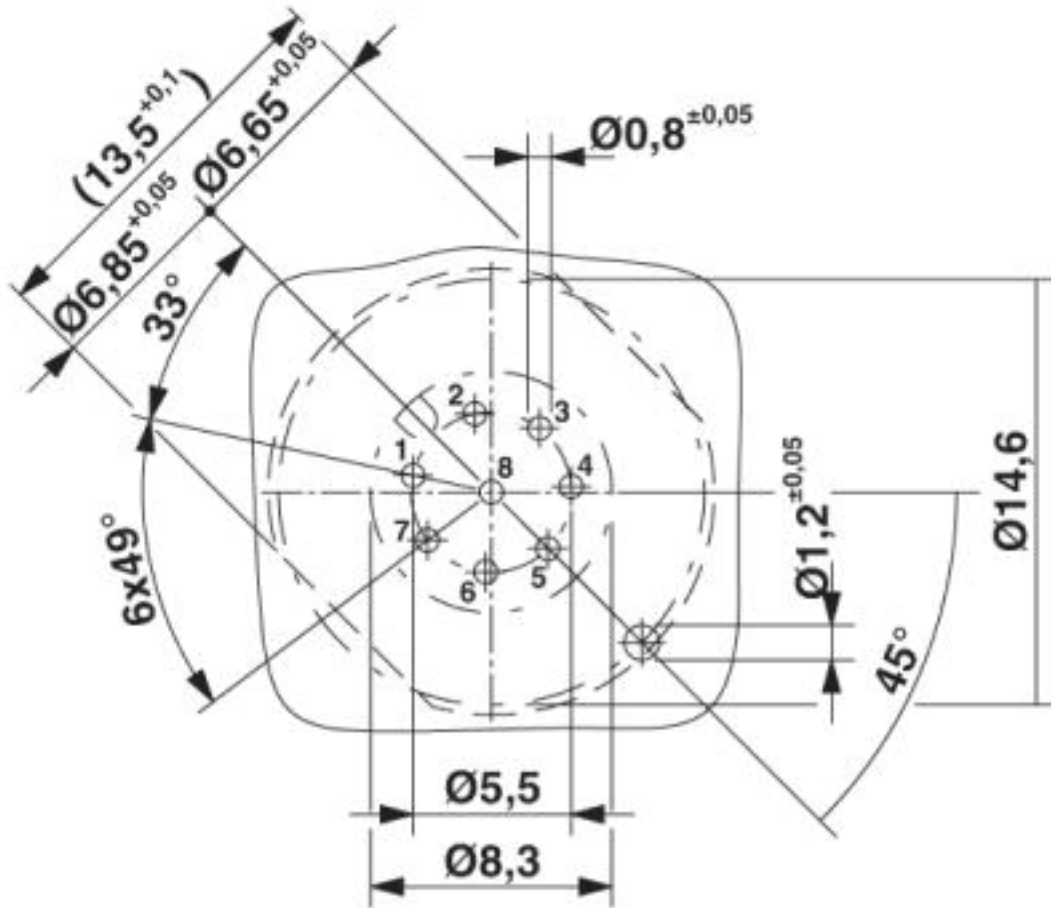
Schematic diagram



Pin assignment M12 socket, 8-pos., A-coded, view female side

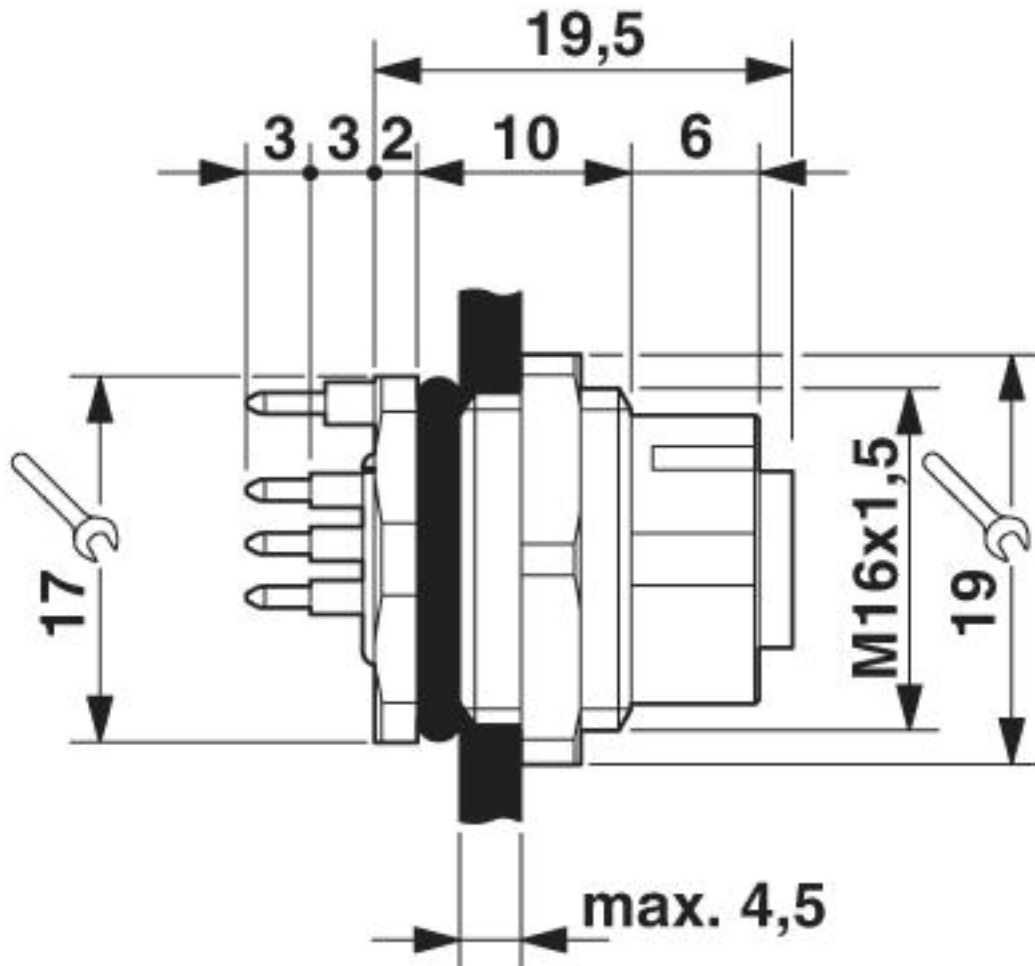
# Flush-type connector - SACC-DSI-FS-8CON-L180/SH TQ - 1456543

Drilling diagram



# Flush-type connector - SACC-DSI-FS-8CON-L180/SH TQ - 1456543

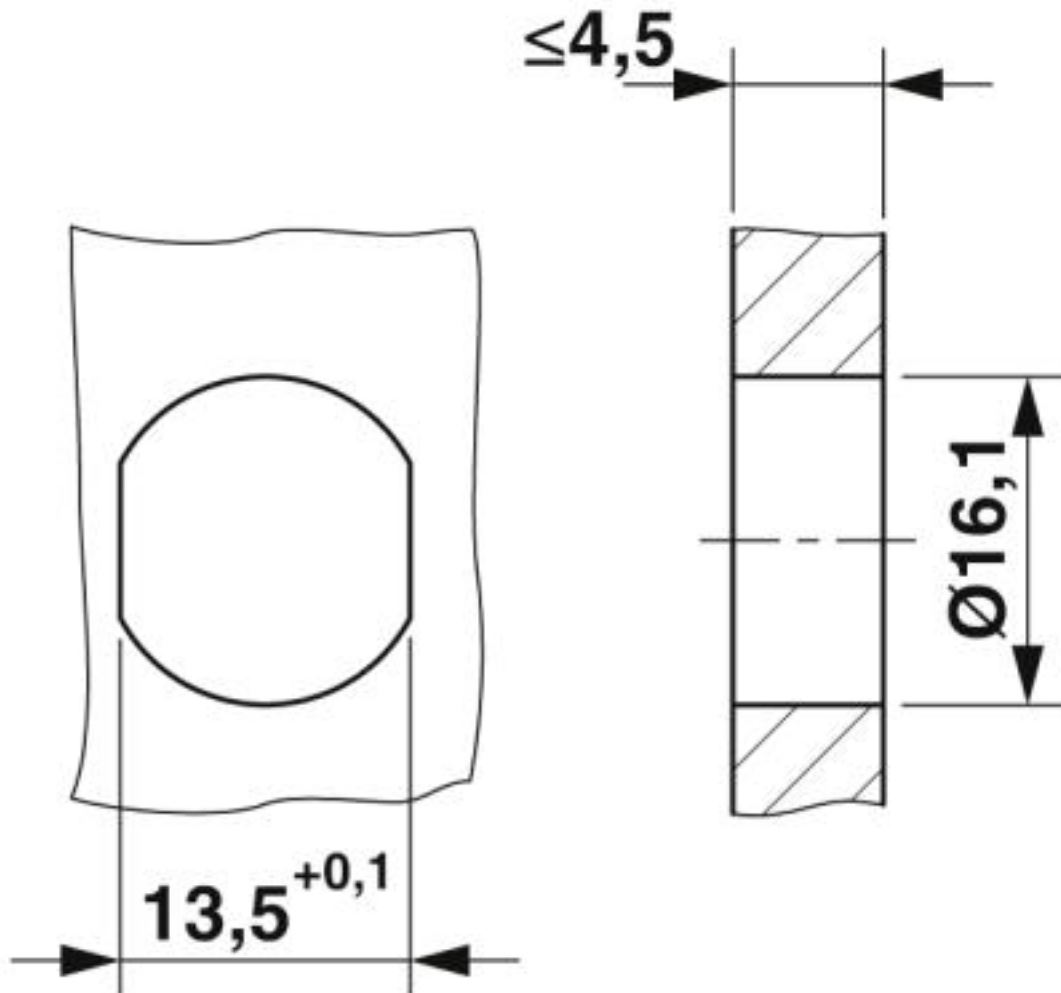
Dimensional drawing



M12 flush-type connector

# Flush-type connector - SACC-DSI-FS-8CON-L180/SH TQ - 1456543

Dimensional drawing



Housing cutout for M16 fastening thread, mounting panel with feed-through hole (alternatively with area as anti-rotation protection for panel thicknesses > 2 mm up to max. 4.5 mm)

## Approvals

Approvals

---

Approvals

UL Recognized / EAC / cULus Recognized

---


Ex Approvals

---


Approval details

# Flush-type connector - SACC-DSI-FS-8CON-L180/SH TQ - 1456543

## Approvals

UL Recognized		<a href="http://database.ul.com/cgi-bin/XYV/template/LISEXT/1FRAME/index.htm">http://database.ul.com/cgi-bin/XYV/template/LISEXT/1FRAME/index.htm</a>	FILE E 118976
---------------	---	---	---------------

Nominal voltage UN	30 V
Nominal current IN	2 A
mm <sup>2</sup> /AWG/kcmil	24

EAC		B.01742
-----	---	---------

cULus Recognized		<a href="http://database.ul.com/cgi-bin/XYV/template/LISEXT/1FRAME/index.htm">http://database.ul.com/cgi-bin/XYV/template/LISEXT/1FRAME/index.htm</a>	E221474-20140616
------------------	---	---	------------------

Nominal voltage UN	30 V
Nominal current IN	2 A
mm <sup>2</sup> /AWG/kcmil	24-22

Phoenix Contact 2019 © - all rights reserved  
<http://www.phoenixcontact.com>

PHOENIX CONTACT GmbH & Co. KG  
Flachsmarktstr. 8  
32825 Blomberg  
Germany  
Tel. +49 5235 300  
Fax +49 5235 3 41200  
<http://www.phoenixcontact.com>