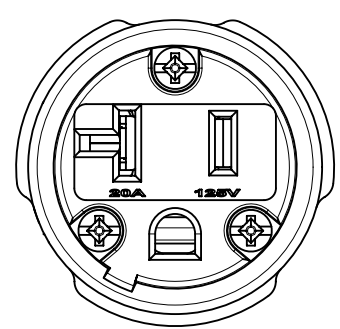
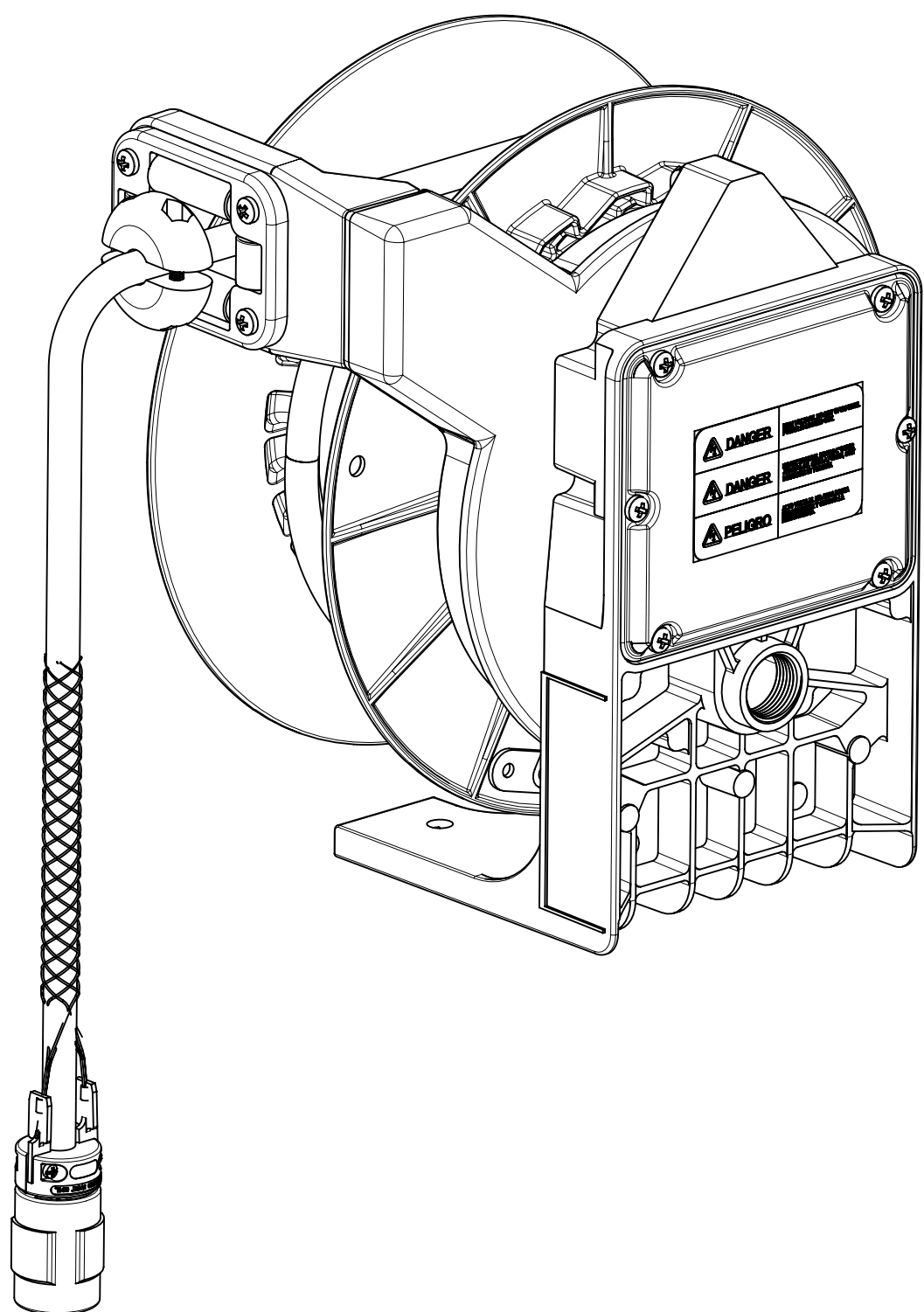
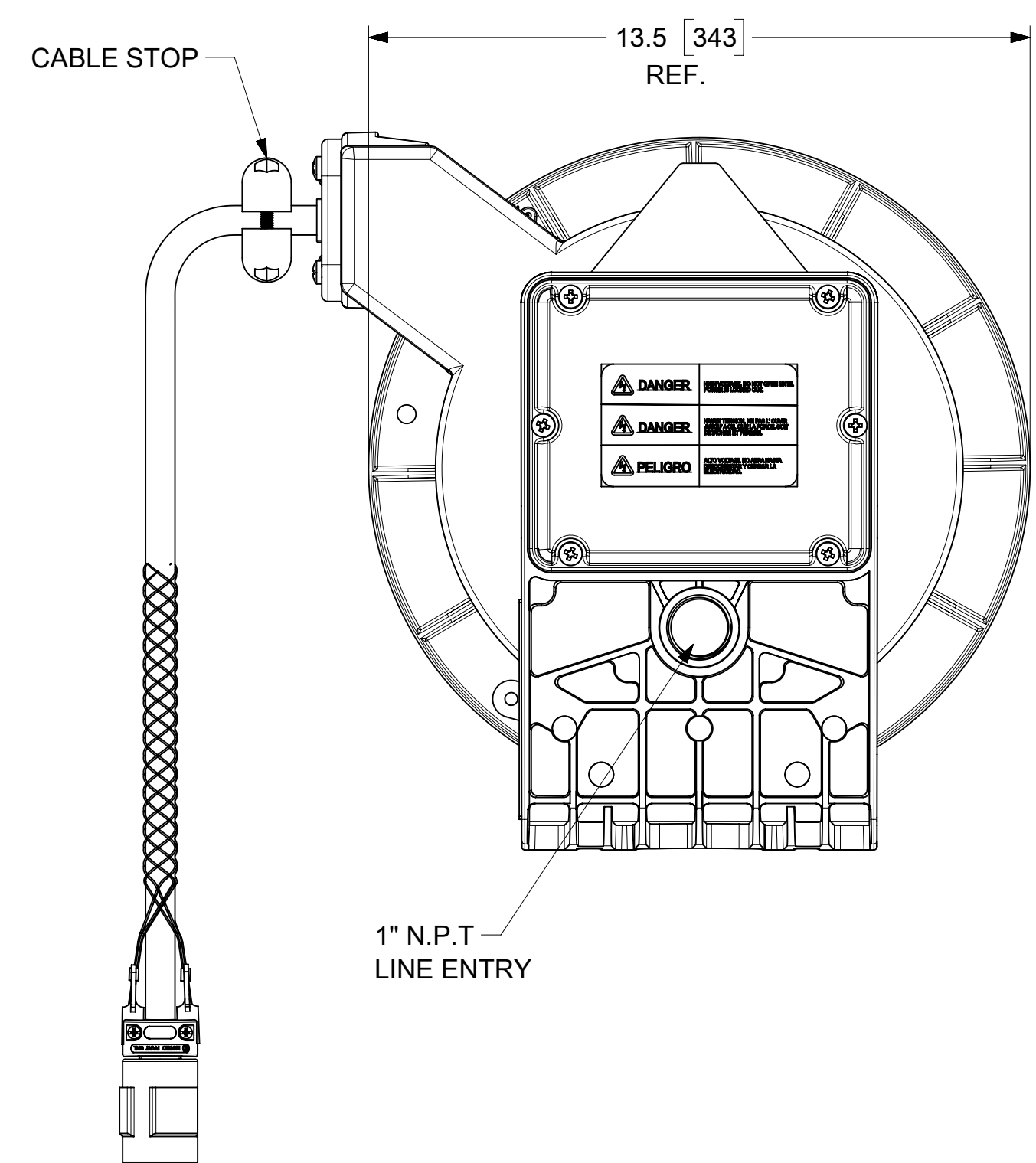
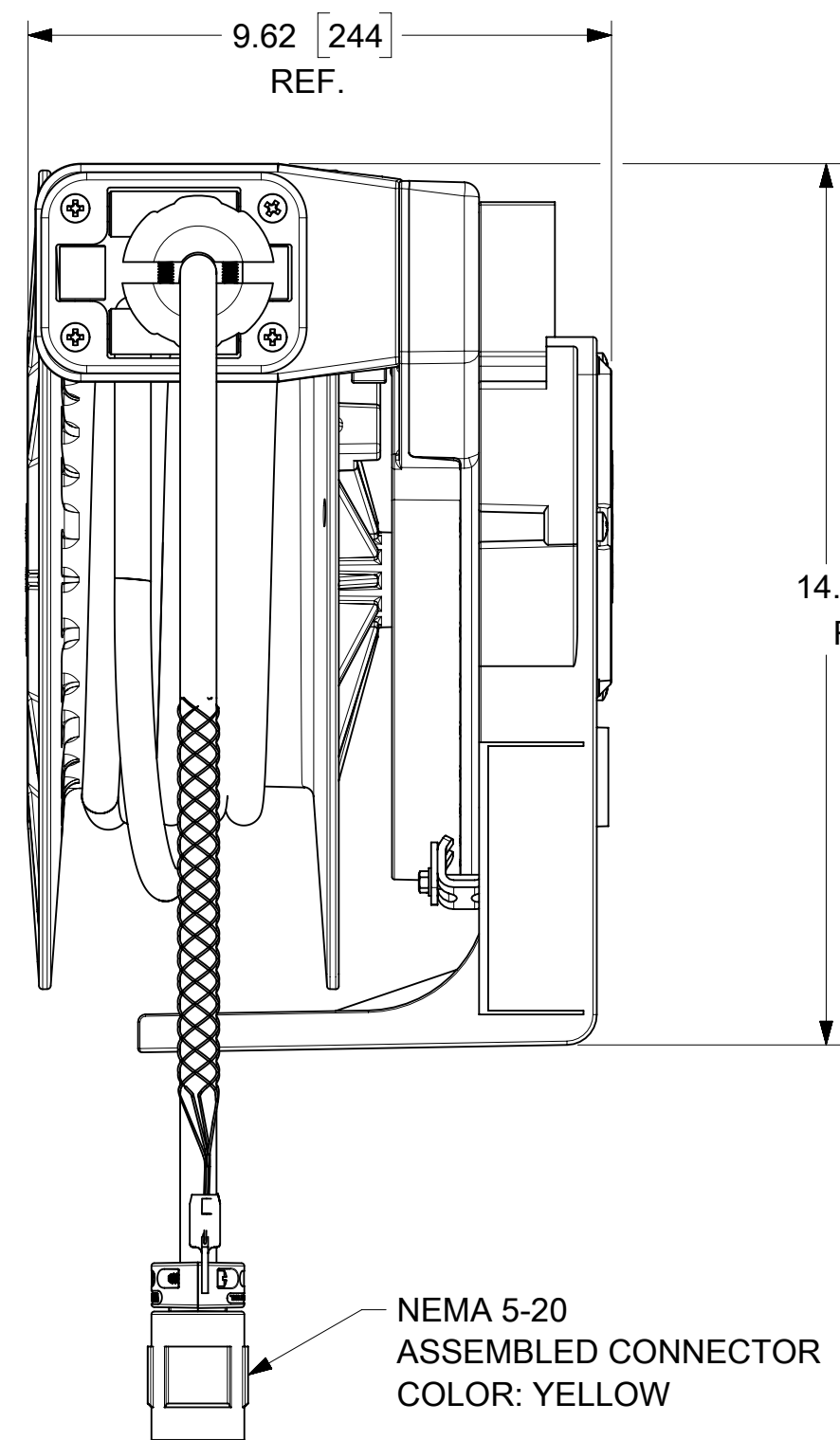
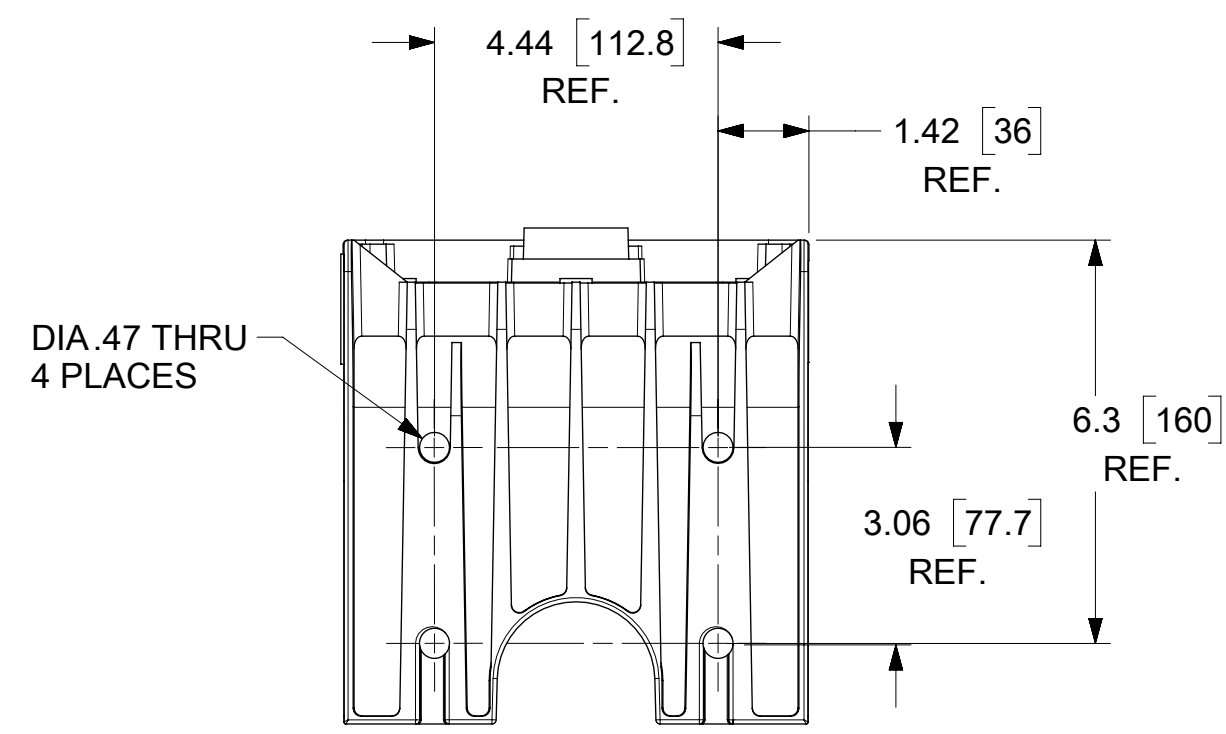


ORDER NO	130083-0265
WOODHEAD ENG. NO	9383-1533
WIRE GAUGE	12
CONDUCTORS	3
AMPERAGE	18A
WORKING CORD	25 FT. YELLOW
CORD TYPE	SOOW
CONSTRUCTION	HEAVY WALL CAST ALUMINUM
PAINT	YELLOW POWDER COAT
REEL ENCLOSURE RATING	NEMA 4 INDOOR / OUTDOOR
RETRACTION WEIGHT	4.0 LB [1.8 KG]



FACE VIEW OF CONNECTOR



BOTTOM VIEW

NOTES:

1. CABLE GUIDE IS ADJUSTABLE EVERY 5 DEGREES OVER 270 DEGREE ARC.
2. RATCHET LOCK IS EASY TO DISENGAGE FOR CONSTANT TENSION.
3. REEL CANNOT BE "LOCKED OUT" AT FULL EXTENSION.
4. CABLE STOP IS INCLUDED

FUNCTIONAL SYMBOLS	THIS DRAWING CONTAINS INFORMATION THAT IS PROPRIETARY TO MOLEX ELECTRONIC TECHNOLOGIES, LLC AND SHOULD NOT BE USED WITHOUT WRITTEN PERMISSION			
	DIMENSION UNITS	SCALE	CURRENT REV DESC: RELEASE CUSTOMER DRAWING	
$F_A = 0$	INCH/MM	NTS		
$F_C = 0$	GENERAL TOLERANCES (UNLESS SPECIFIED)			
$F_D = 0$		MM	INCH	
DIVISIONAL SYMBOLS	4 PLACES	±	±	
	3 PLACES	±	± 0.005	
	2 PLACES	± 0.13	± 0.01	
	1 PLACE	± 0.25	± 0.02	
	0 PLACES	±	±	
	ANGULAR TOL	± 0.5°		
DRAFT WHERE APPLICABLE MUST REMAIN WITHIN DIMENSIONS		THIRD ANGLE PROJECTION	DRAWING C-SIZE	SERIES 130083
		EC NO: 674791	DRWN: VHANDI	2020/07/24
		CHK'D: DSOPPIN	APPR: HKNEELAND	2022/06/01
		INITIAL REVISION:	DRWN: MCHOJECK	2011/07/18
			APPR: DTITUS	2011/09/02
DOCUMENT NUMBER		DOC TYPE	DOC PART	REVISION
SD-130083-036		PSD	001	A1
MATERIAL NUMBER		CUSTOMER	SHEET NUMBER	
SEE TABLE		GENERAL MARKET	1 OF 1	