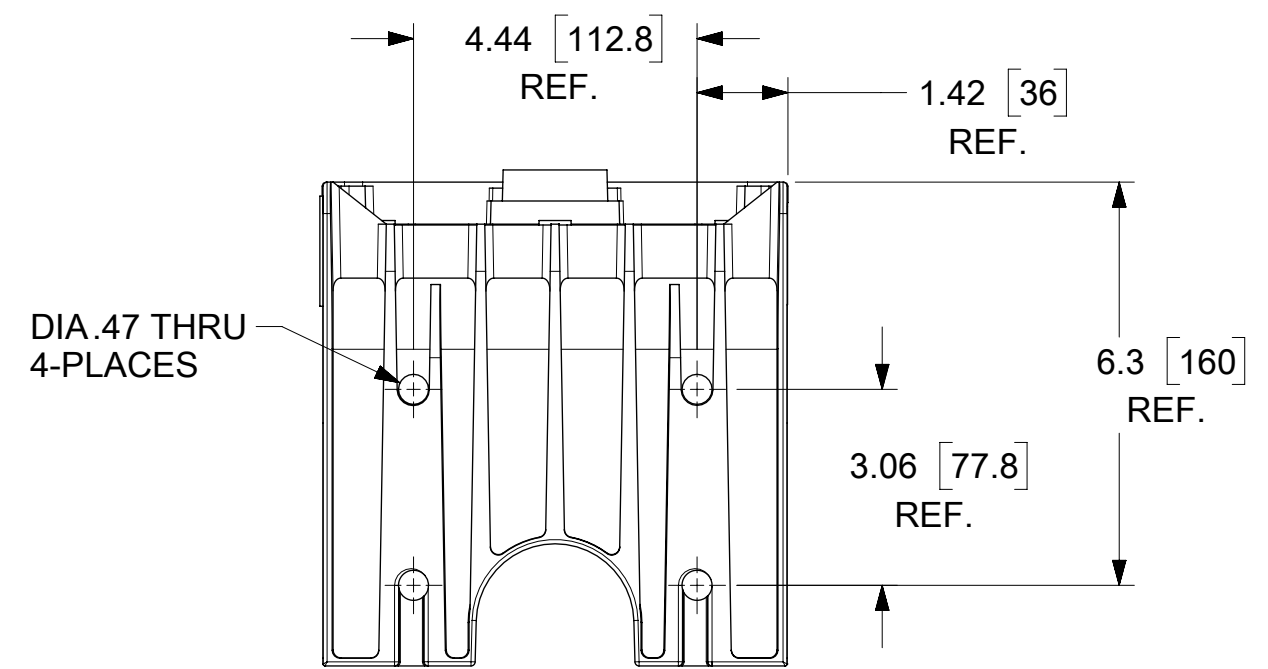
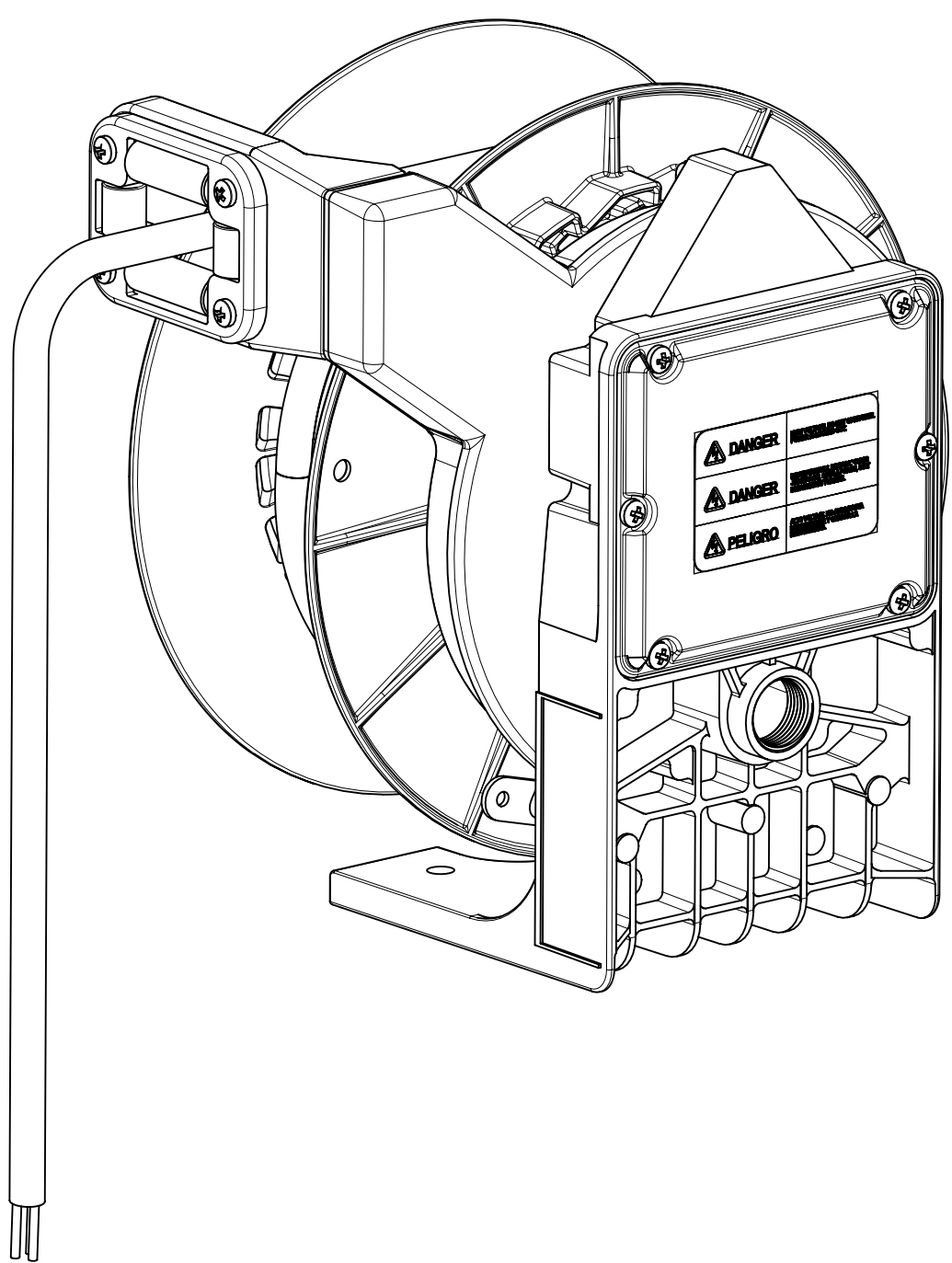
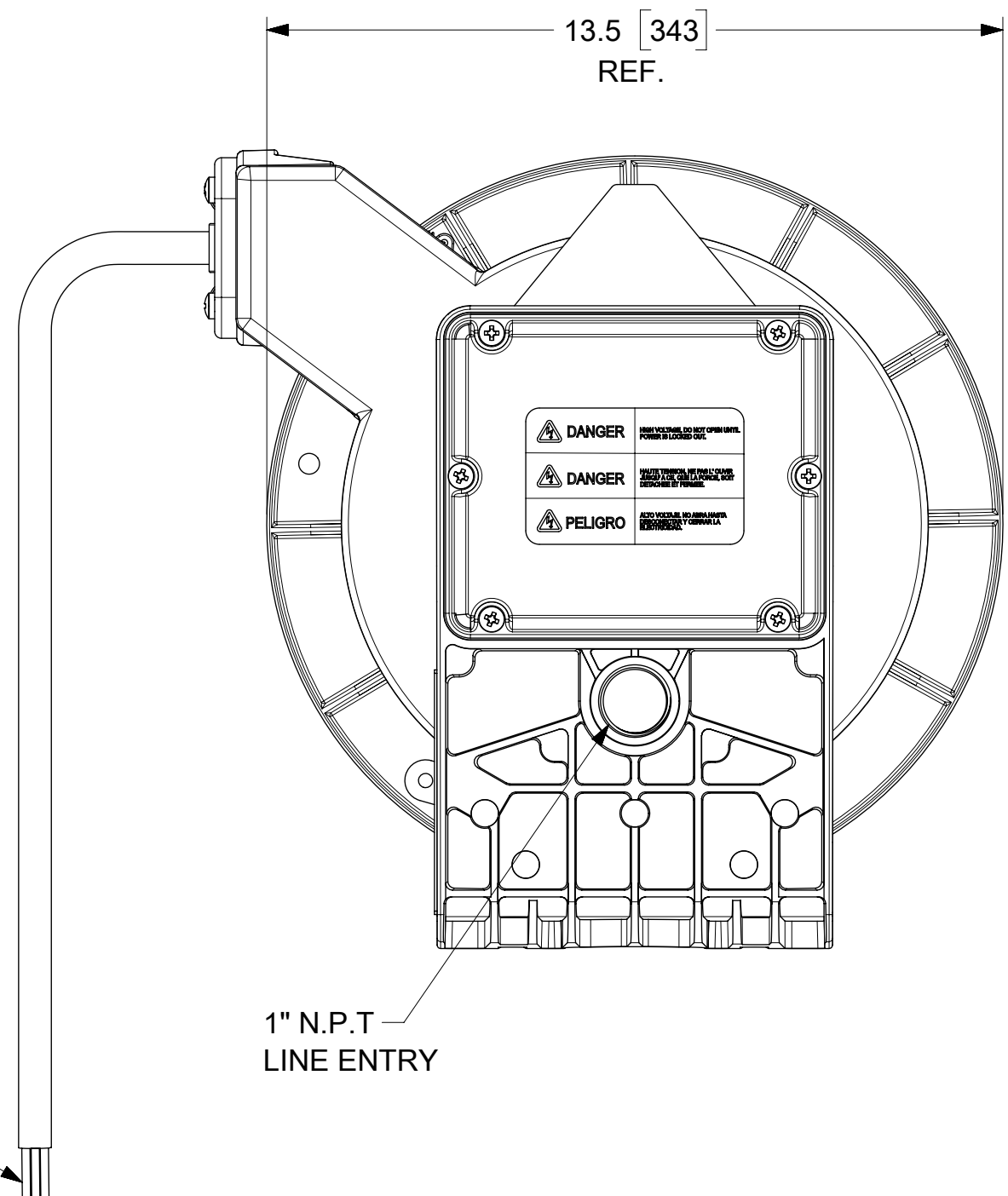
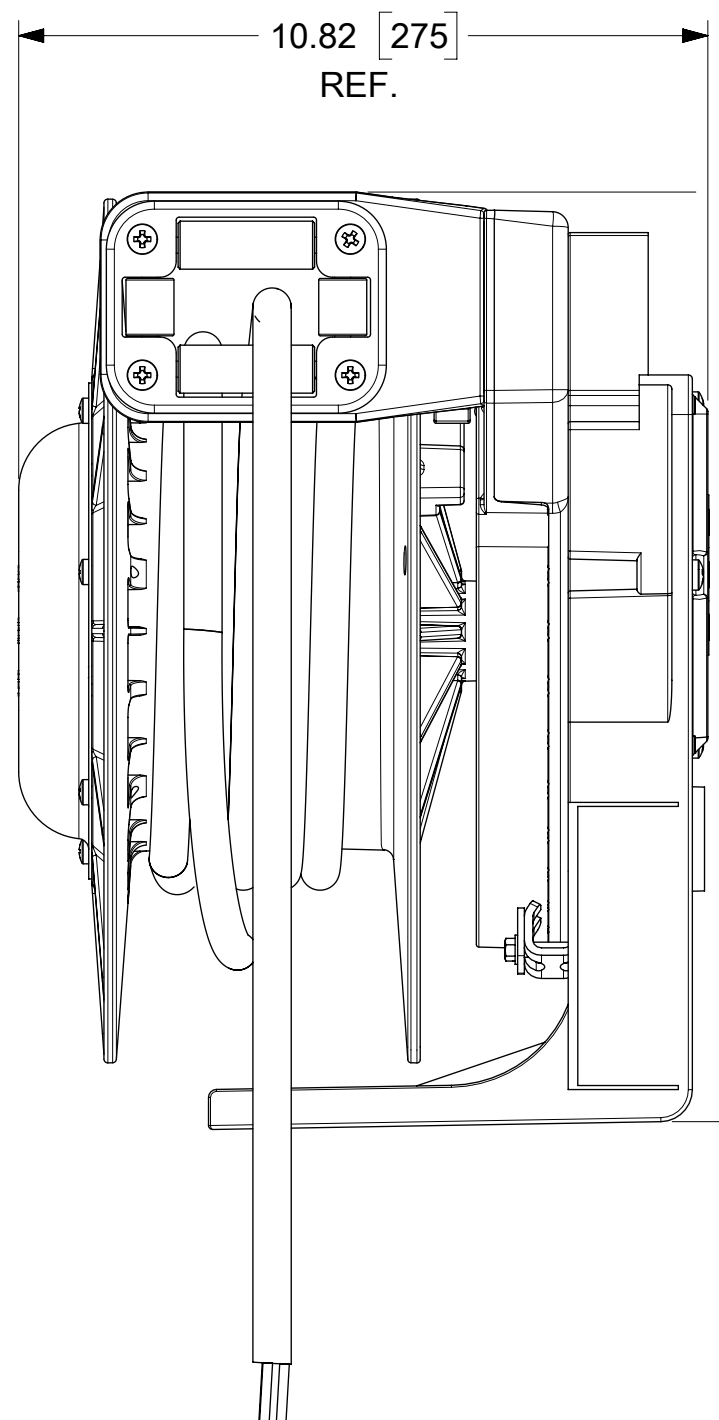


ORDER NO	130083-0239
WOODHEAD ENG. NO	92481
WIRE GAUGE	16
CONDUCTORS	8
AMPERAGE	6A
WORKING CORD	50 FT. BLACK
CORD TYPE	SOW
CONSTRUCTION	HEAVY WALL CAST ALUMINUM
PAINT	YELLOW POWDER COAT
REEL ENCLOSURE RATING	NEMA 4 INDOOR / OUTDOOR
RETRACTION WEIGHT	4.0 LB [1.8 KG]



BOTTOM VIEW

- NOTES:**
1. CABLE GUIDE IS ADJUSTABLE EVERY 5 DEGREES OVER 270 DEGREE ARC.
 2. RATCHET LOCK IS EASY TO DISENGAGE FOR CONSTANT TENSION.
 3. REEL CANNOT BE "LOCKED OUT" AT FULL EXTENSION.

FUNCTIONAL SYMBOLS	THIS DRAWING CONTAINS INFORMATION THAT IS PROPRIETARY TO MOLEX ELECTRONIC TECHNOLOGIES, LLC AND SHOULD NOT BE USED WITHOUT WRITTEN PERMISSION			CURRENT REV DESC: RELEASE CUSTOMER DRAWING								
	DIMENSION UNITS	SCALE										
$F_A = 0$	INCH/MM	NTS		GENERAL TOLERANCES (UNLESS SPECIFIED)			CABLE REEL - INDUSTRIAL DUTY 50' #16-8 SOOW					
$F_C = 0$		MM	INCH									
$F_D = 0$	4 PLACES	±	±	EC NO: 674250 DRWN: VHANDI 2020/07/17 CHK'D: DSOPPIN 2022/05/11 APPR: HKNEELAND 2022/05/13			PRODUCT CUSTOMER DRAWING					
DIVISIONAL SYMBOLS	3 PLACES	±	± 0.005									
	2 PLACES	± 0.13	± 0.01	INITIAL REVISION: DRWN: VHANDI 2020/07/17 APPR: HKNEELAND 2022/05/13			DOCUMENT NUMBER 1300830239			DOC TYPE PSD	DOC PART 000	REVISION A
	1 PLACE	± 0.25	± 0.02									
	0 PLACES	±	±	THIRD ANGLE PROJECTION 			MATERIAL NUMBER SEE TABLE	CUSTOMER GENERAL MARKET		SHEET NUMBER 1 OF 1		
	ANGULAR TOL	± 0.5°										
	DRAFT WHERE APPLICABLE MUST REMAIN WITHIN DIMENSIONS			C-SIZE	SERIES	130083						