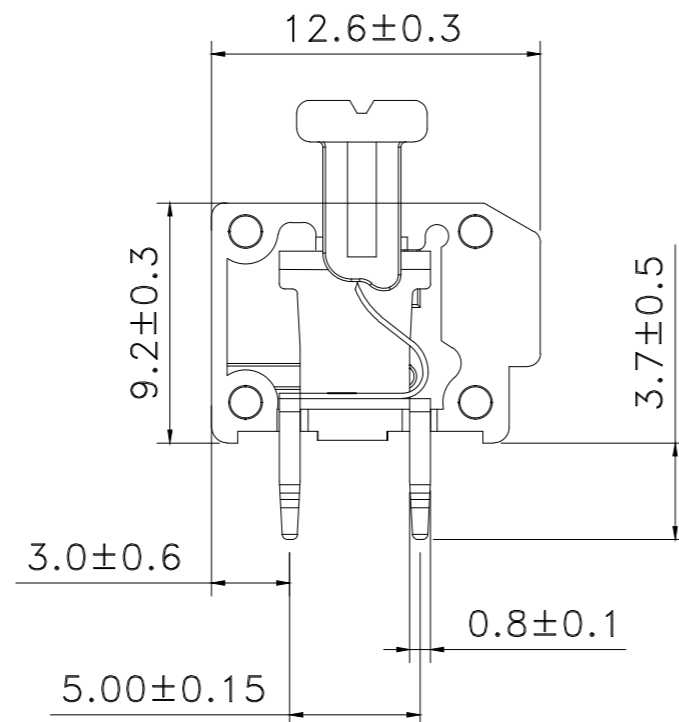
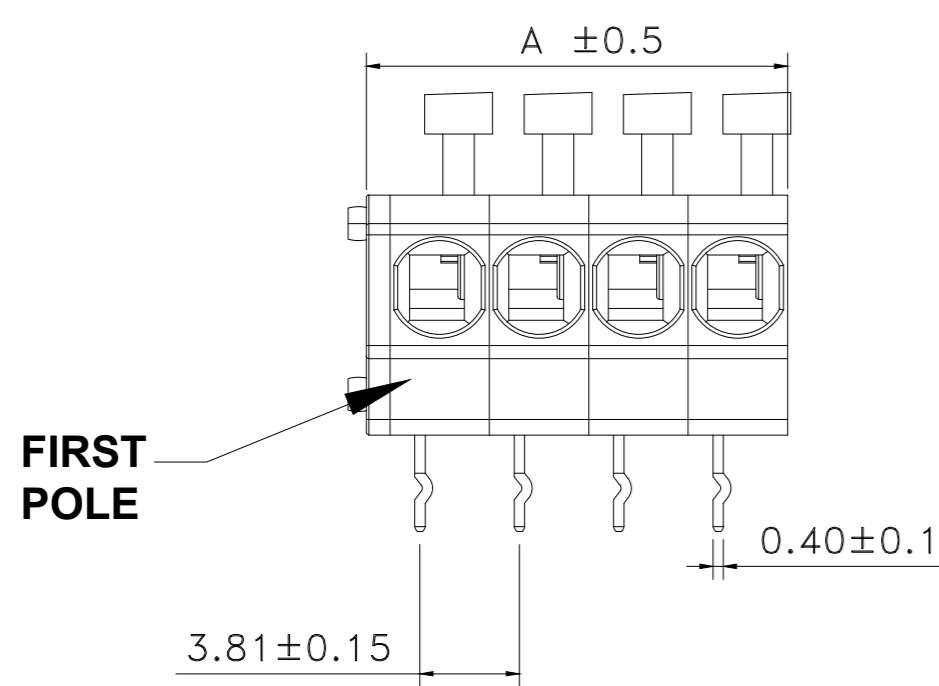
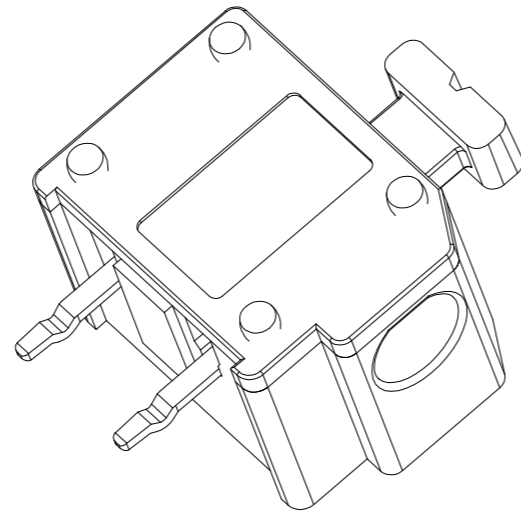
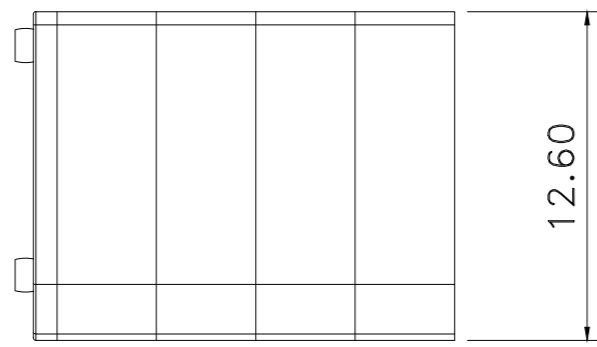


THIS DRAWING IS UNPUBLISHED. RELEASED FOR PUBLICATION
 © COPYRIGHT - TE Connectivity Ltd. ALL RIGHTS RESERVED.

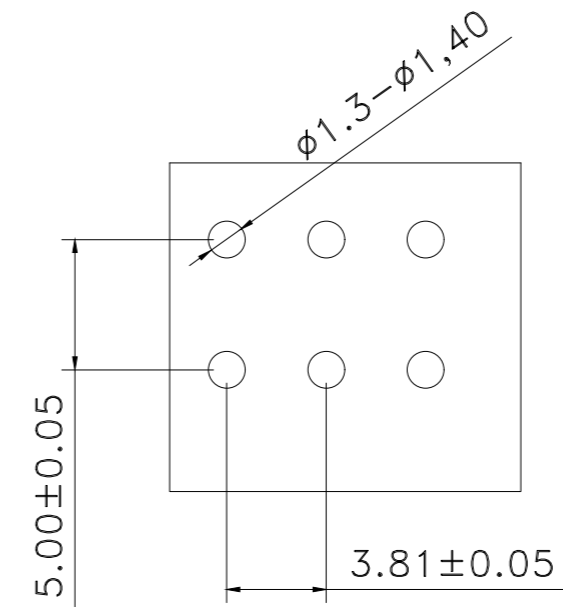
REVISIONS				
P	LTR	DESCRIPTION	DATE	APVD
A1		ADD NEW P/N	23AUG2019	G.F S.M

NOTES :

- ⚠ MATERIALS AND FINISH:
 - HOUSING: PA66
 - CONTACTS: COPPER ALLOY, FINISH: TIN OVER NICKEL UNDERPLATE
 - SPRING: STAINLESS STRIP STEEL
- 2. MUST COMPLY WITH DIRECTIVE 2002/95/EC (ROHS)
- 3. WIRE TYPES AND SIZES ACCEPTED
 WIRE RANGE: 16AWG~20AWG.
 STRIP LENGTH: 9.0mm~10mm
- 4. PACKAGED IN TRAY.
- 5. CURRENT RATING: 8Amp AC300V.
- 6. OPERATION TEMPERATURE: -40°C TO +105°C



DETAIL INNER



RECOMMEND PCB Layout 1

2834017-1	4	RED/GRAY/BLACK/VIOLET
5-2834017-8	8	ALL GRAY
5-2834017-7	7	ALL GRAY
5-2834017-6	6	ALL GRAY
5-2834017-5	5	ALL GRAY
5-2834017-4	4	ALL GRAY
5-2834017-3	3	ALL GRAY
5-2834017-2	2	ALL GRAY
1-2834017-8	8	ALL GREEN
1-2834017-7	7	ALL GREEN
1-2834017-6	6	ALL GREEN
1-2834017-5	5	ALL GREEN
1-2834017-4	4	ALL GREEN
1-2834017-3	3	ALL GREEN
1-2834017-2	2	ALL GREEN
P/N	POLES	COLOR ARRANGEMENT

31.38	8 POSN
27.57	7 POSN
23.76	6 POSN
19.95	5 POSN
16.14	4 POSN
12.33	3 POSN
8.52	2 POSN
A	NO. OF POSITIONS

THIS DRAWING IS A CONTROLLED DOCUMENT.		DWN	22AUG2016	TE TE Connectivity	
DIMENSIONS: mm		CHK	22AUG2016		
TOLERANCES UNLESS OTHERWISE SPECIFIED:		APVD	22AUG2016	NAME	
0 PLC	± 0.20	SHI MING		3.81mm PITCH MODULAR SCREWLESS CONN.	
1 PLC	± 0.15	PRODUCT SPEC		-	
2 PLC	± 0.1	APPLICATION SPEC		-	
3 PLC	± -	114-137081		SIZE	CAGE CODE
4 PLC	± -	108-137081		A2	00779
ANGLES	± 3	WEIGHT		DRAWING NO	
FINISH		-		C=2834017	
NOTE 1	NOTE 1	CUSTOMER DRAWING		SCALE	1:1
				SHEET	1 of 1
				REV	A1