

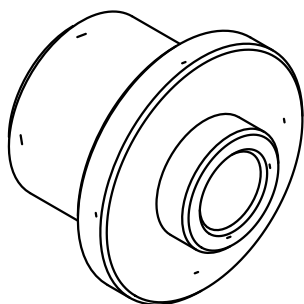
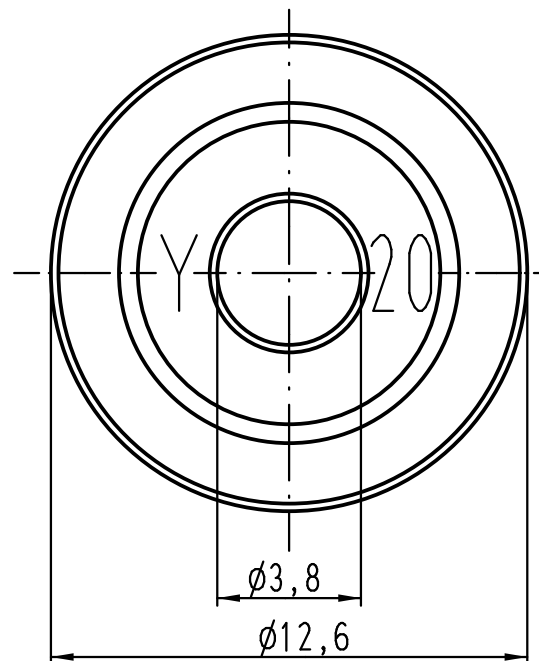
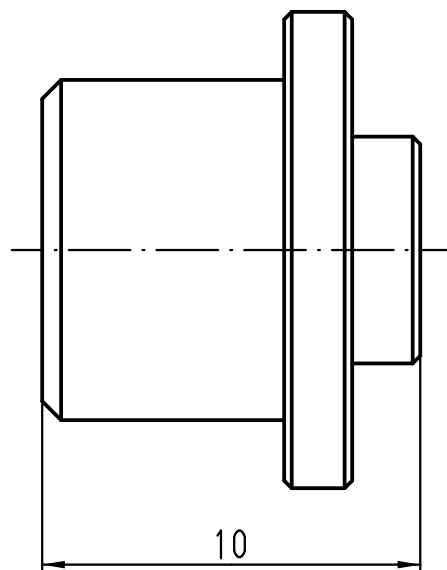
1 2 3 4 5 6

A

B

C

D



| | | | | | | | | |
|---|------|------|--------------------------------|----------|------|---|---|--|
| All Dimensions in mm Original Size DIN A 4 | | | Techn. Character. | | | Nicht tolerierte Maße! Free size tolerances | | |
| | | | | Dat. | Name | Maßstab/Scale 5:1 | Positionshülse/locator 20A Kontakte/20A contacts | |
| | | | Detail. | 26.10.11 | Ho | | | |
| | | | Insp. | | drie | | | |
| | | | Stand. | | | | | |
| A | | | HARTING Electric GmbH & Co. KG | | | | TB 09 99 000 0342 | |
| Mod. | Dat. | Name | D-32339 Espelkamp | | | | | |
| | | | | | | Sub. | Blatt/page | |