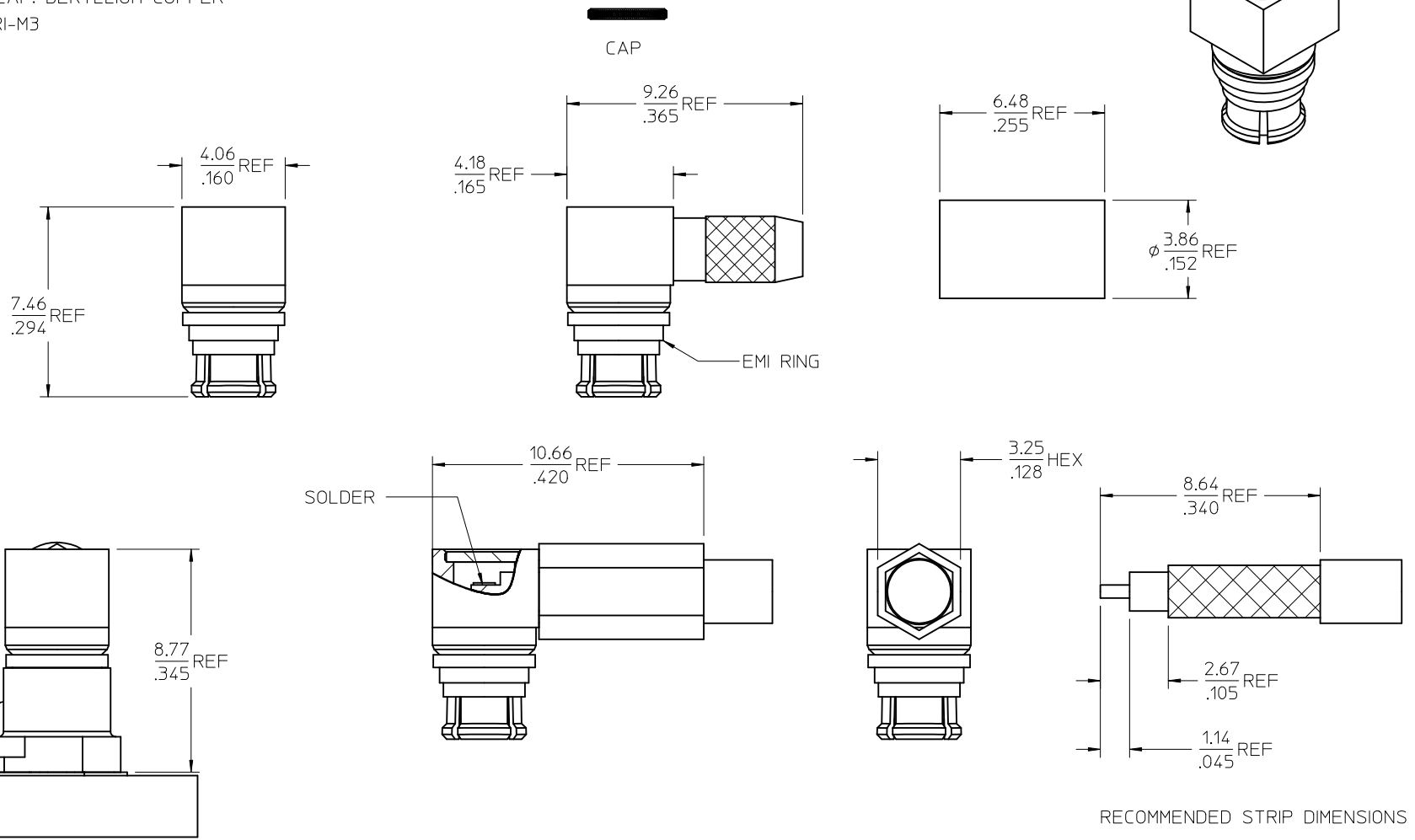
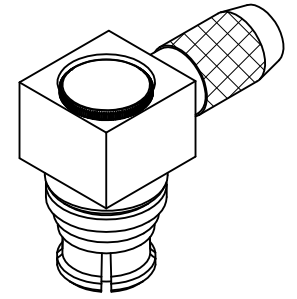


MATERIAL AND FINISHES

BODY, CONTACT, OUTER CONTACT,
CRIMP TUBE, EMI RING, CAP: BERYLLIUM COPPER
PLATED GOLD OVER TRI-M3

INSULATOR: TEFLON



PART # 73415-7060

NON-MAGNETIC

CHG: UPDATE DRAWING EC NO: 2011/01/17 DRWNR: YEH CHKD: 2011/02/11 APPR: MHIANG	QUALITY SYMBOLS ▽=0 ▽=0	GENERAL TOLERANCES (UNLESS SPECIFIED) mm INCH 4 PLACES ± --- ± --- 3 PLACES ± --- ± --- 2 PLACES ± --- ± --- 1 PLACE ± --- ± --- ANGULAR ± 2°	DIMENSION STYLE MM/IN DRAWN BY DATE AZR 2008/03/20 CHECKED BY DATE SSS 2008/03/20 APPROVED BY DATE JDW 2008/03/20	SCALE DESIGN UNITS METRIC THIRD ANGLE PROJECTION	TITLE SMP JACK RA NON-MAGNETIC RG174 SMP-JC, EWR-3463	
	MATERIAL NO. 734157060	DOCUMENT NO. SD-73415-706	SHEET NO. 1 OF 1	MOLEX MOLEX INCORPORATED		
	DRAFT WHERE APPLICABLE MUST REMAIN WITHIN DIMENSIONS			THIS DRAWING CONTAINS INFORMATION THAT IS PROPRIETARY TO MOLEX INCORPORATED AND SHOULD NOT BE USED WITHOUT WRITTEN PERMISSION		
	SIZE C					