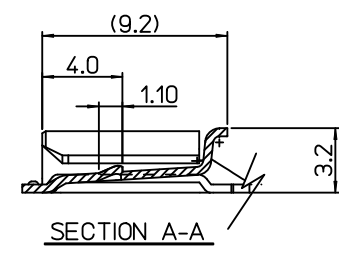
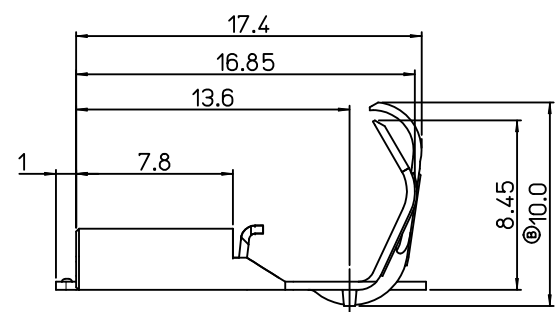
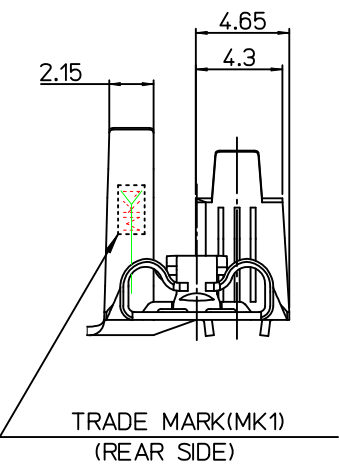


NOTES.

1. MATERIAL : BRASS
2. FINISH : PRE-TIN PLATED  
1.0 μm TIN PLATING.  
OVERALL 0.3 μm COPPER PLATING
3. MATED HOUSING : 49837-011\*
4. MATING TAB : 0.8T
5. APPLICABLE WIRE RANGE : AWG#12~#18
6. PRODUCT SPECIFICATION : PS-49838-001
7. PACKING SPECIFICATION : PK-49838-001
8. CRIMPING SPECIFICATION : CS-49838-001



REVISED EC NO: KOR2010-0144 DRAWN: JHPARK01 CHKD: 2010/03/29 APPR: YUNSIKKIM 2010/03/30	QUALITY SYMBOLS	GENERAL TOLERANCES (UNLESS SPECIFIED)	DIMENSION STYLE	SCALE	DESIGN UNITS	THIRD ANGLE PROJECTION
	$\nabla=0$ $\sphericalangle=0$	mm INCH	MM ONLY	1:1	METRIC	
	4 PLACES ± --- ± --- 3 PLACES ± --- ± --- 2 PLACES ± 0.30 ± --- 1 PLACE ± 0.30 ± ---	DRAWN BY: JB. JIN CHECKED BY: WY. YANG APPROVED BY: EH. JUNG DATE: 2007/04/18	TITLE <b>.250 MP-LOCK FLAG TERMINAL(MEX)</b>			
	ANGULAR ± 1 °	MATERIAL NO. <b>498389102</b>	DOCUMENT NO. <b>SD-49838-001</b>			
	DRAFT WHERE APPLICABLE MUST REMAIN WITHIN DIMENSIONS	SIZE <b>A3</b>	SHEET NO. <b>1 OF 01</b>			