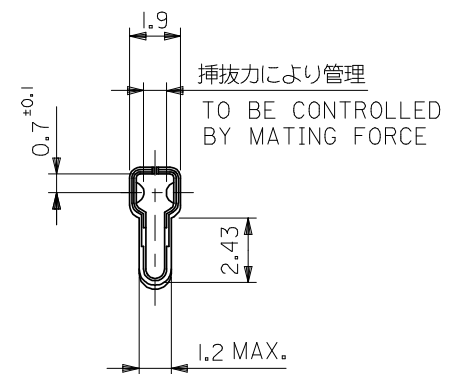
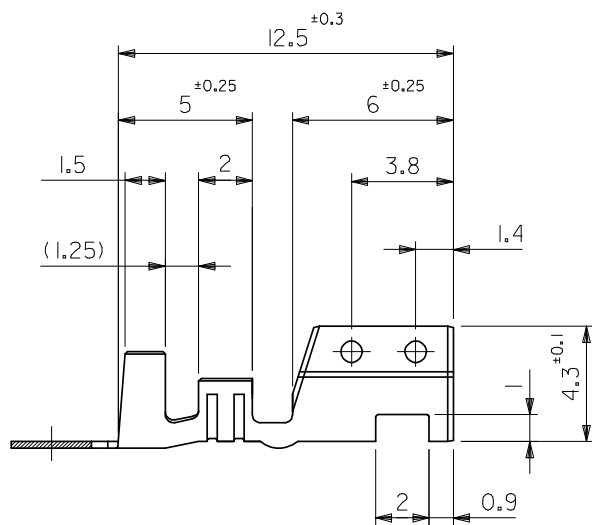


断面 A-A
SECT.A-A

断面 B-B
SECT.B-B



注記
NOTES

1. 適合ハウジング : 5195-N* , 5196-N*
 APPLICABLE HOUSING 5197-N* , 5198-N*
 5199-N*

錫メッキ済リン青銅 PRE-TINNED PHOSPHOR BRONZE	Sn : 0.9 μ MIN	39-00-0022	5194PBT	バラ状 LOOSE
		39-00-0021	5194PBT	連鎖状 CHAIN
錫メッキ済黄銅 PRE-TINNED BRASS	Sn : 0.9 μ MIN, Cu : 0.5 μ MIN	08-70-1030	5194TL	バラ状 LOOSE
		08-70-1031	5194T	連鎖状 CHAIN
材料 MATERIAL	表面処理 FINISH	EDP NO.	ENG. NO.	端子形状 FORM

材料 MATERIAL	表参照 SEE TABLE 板厚: 0.254 (t=0.254)
仕上げ FINISH	表参照 SEE TABLE
適用電線範囲 WIRE RANGE	AWG #18-#24
被覆外径 INS. RANGE	ϕ 1.3 - ϕ 3.2

REVISED EC NO: J2008-3351 DRWN:WABEI 2008/03/24 CHKD:THARUYAMA 2008/03/24 APPR:NUKITA 2008/03/24 REV J	GENERAL TOLERANCES (UNLESS SPECIFIED)	10 UNDER ± 0.2	10 OVER 30 UNDER ± 0.25	30 OVER ± 0.3	ANGULAR $\pm 3^\circ$	DRAFT WHERE APPLICABLE MUST REMAIN WITHIN DIMENSIONS
	DIMENSION STYLE	MM ONLY		SCALE 5:1		
	DRAWN BY	DATE	TITLE			
	CHECKED BY	DATE	SPOX CRIMP RECEPTACLE			
	APPROVED BY	DATE	MOLEX MOLEX INCORPORATED			
DESCRIPTION	SEE TABLE		DOCUMENT NO.		SHEET NO. 1 OF 1	

THIRD ANGLE PROJECTION	SPOX CRIMP RECEPTACLE		MOLEX INCORPORATED		SHEET NO. 1 OF 1	
SIZE A3	THIS DRAWING CONTAINS INFORMATION THAT IS PROPRIETARY TO MOLEX INCORPORATED AND SHOULD NOT BE USED WITHOUT WRITTEN PERMISSION					